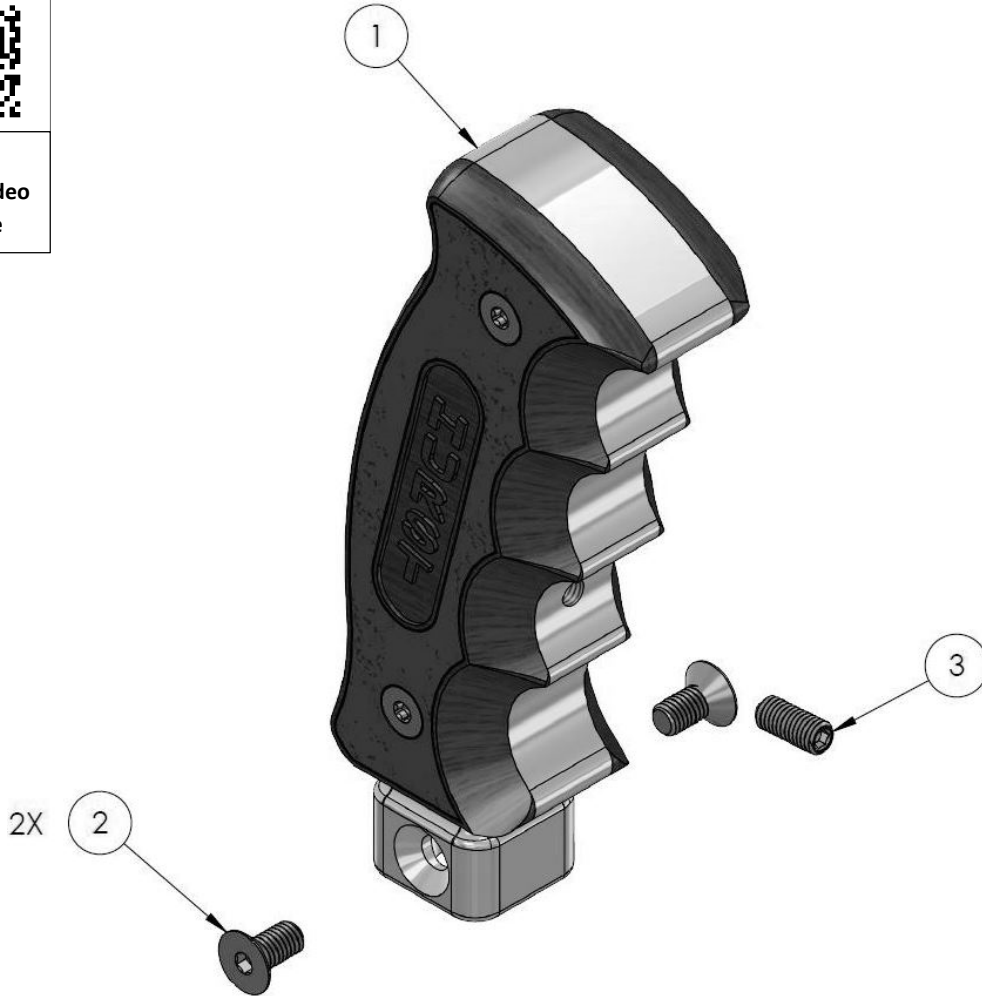




Installation Instructions
1531003
PISTOL GRIP SHIFTER HANDLE
2016-24 CHEVROLET
CAMARO MANUAL
TRANSMISSION



Watch our
 installation video
 on YouTube



ITEM NO.	PART NO.	DESCRIPTION	QTY.
1	N/A (SHIPS ASSEMBLED)	SHIFT HANDLE ASSY, 16-20 CHEV CAMARO W/MAN TRANS	1
N/A	2380437	• HANDLE BODY, PISTOL GRIP, 16-20 CAMARO	1
	4048658	• GRIP PLATE, PISTOL AUTO, LEFT *BLACKWOOD*	1
	4048659	• GRIP PLATE, PISTOL AUTO, RIGHT *BLACKWOOD*	1
	97003153	• SCREW, FLAT HEAD, TORX DRIVE, 8-32 × 1/4"	2
	97003154	• SCREW, FLAT HEAD, TORX DRIVE, 8-32 × 1/2"	2
N/A	3290001	CABLE TIE, 11" (NOT SHOWN)	1
2	97003162	SCREW, FLAT HEAD, ALLEN DRIVE, M5-0.8 × 10MM	2
3	97003163	SET SCREW, CUP POINT, M5-0.8 × 12MM	1

BEFORE STARTING

- Take a moment to read and understand these instructions before installing your Hurst Pistol Grip Shifter Handle.
- Use the parts drawing and list (front page) to verify your kit's contents. In the unlikely event of missing parts, please contact Hurst Technical Support for replacements.
- We highly recommend that you retain all factory parts.
- Work safely! Turn off your vehicle's ignition and set the parking brake.

REMOVE THE STOCK SHIFTER HANDLE



1. Use a plastic trim tool to separate the shifter bezel from the console, then lift the bezel straight up.



2. Remove the screw from the base of shifter handle, then lift the handle, boot and bezel off the stick.



3. Use 2 flat-tip screwdrivers to separate the shift handle from the plastic collar.



4. The plastic collar is glued to the shifter boot. Carefully separate the collar from the boot.

INSTALL THE HURST SHIFTER HANDLE



5. With the finger grooves pointing forward, work the base of the shift handle (1) through the opening in the shifter boot until the opening surrounds the notch at the base of the shift handle.



6. Use the supplied cable tie to secure the opening of the boot to the notch at the base of the shifter handle. Trim the excess cable tie.



9. Reinstall the shifter bezel in the console.



7. Install the handle body onto the shifter stick.



10. Install and tighten the set screw (3) in the front of the shifter handle.



8. Align the screw holes on shifter handle and the stick. Start both flat head screws (2), then tighten them.



Congratulations, the installation of your Hurst Pistol Grip Shifter Handle is now complete!