



Installation Instructions

818166

2021-2025 Ford F150
3.5L PowerBoost Engine



Installation requires moderate mechanical skill. If this job is beyond your abilities, seek the services of a qualified technician.

If you do not understand any part of these instructions, please call Flowmaster Technical Support at (866) 464-6553 for assistance.

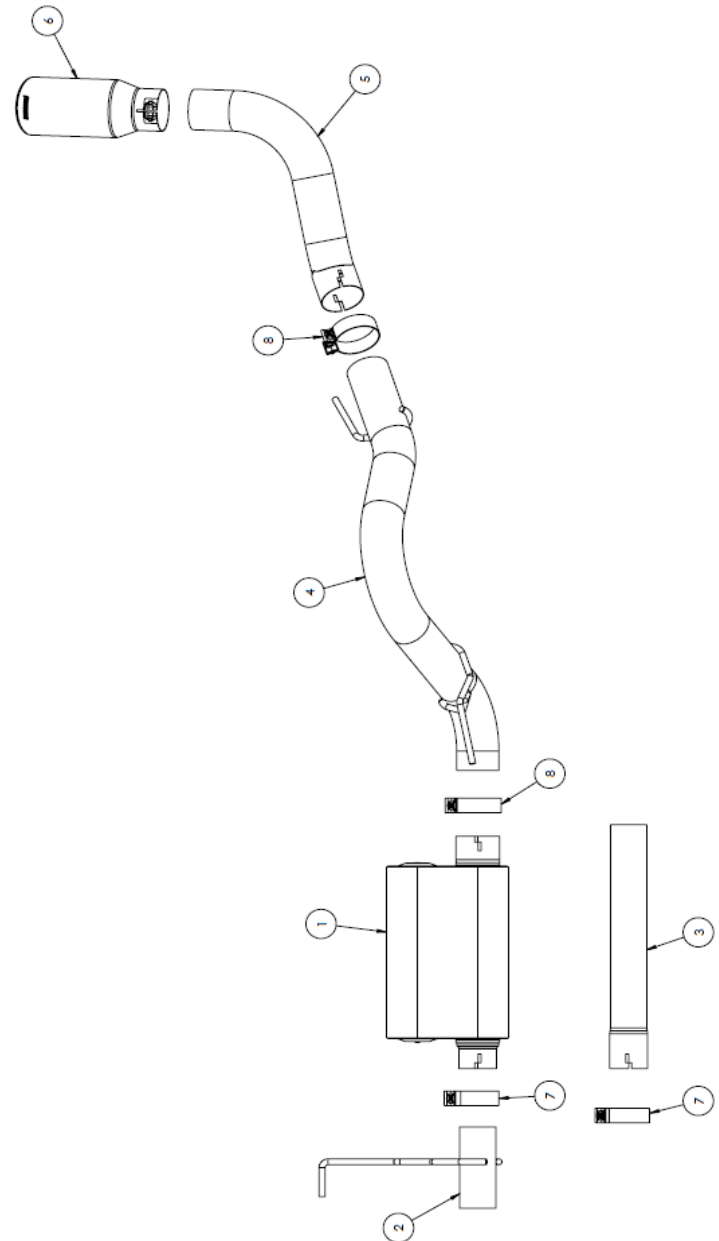
Apply penetrating oil generously to clamps, fasteners, pipes, and hanger rods for ease of disassembly.

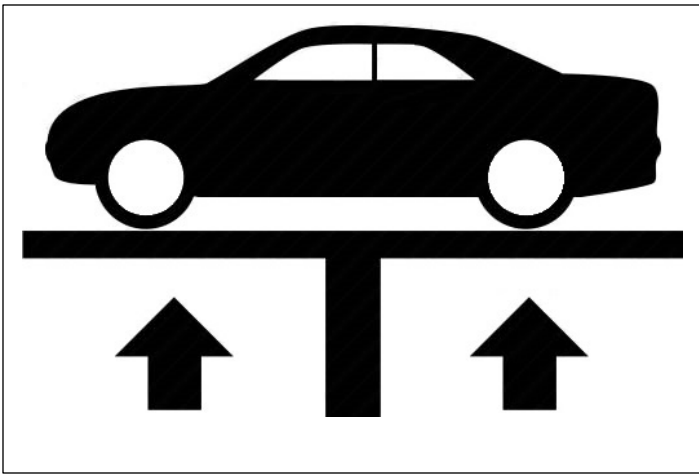
REVIEW THE INSTRUCTIONS & VERIFY THE KIT CONTENTS

Take a moment to read and understand these instructions before installing your Flowmaster exhaust kit.

ITM#	Part #	Description	Qty.
1	15196S	Muffler	1
2	26929S	Muffler Inlet Adapter Pipe	1
3	26277S	Inlet Extension Pipe	1
4	36086S	Muffler Outlet Pipe	1
5	36087S	Tailpipe	1
6	ST508B	Black 5" Tip	1
7	MC300BS	3" Band Clamp	2
8	MC350BS	3.5" Band Clamp	2

Use the parts drawing and list to identify components and verify your kit's contents. In the unlikely event that any parts are missing, please contact Flowmaster Technical Support for replacements.





Vehicle Compatibility

Model Year: 2021-2025

Make: Ford F150

Engine: 3.5L PowerBoost Hybrid

* **Fits**- Trucks originally produced with Single side exit exhaust.

****Will not fit** - PowerBoost trucks that were originally produced with optional Dual Exhaust out the rear Bumper.

BEFORE STARTING:

Raise the vehicle to a minimum of eighteen inches. A floor hoist is ideal. If no hoist is available, we strongly urge the use of axle stands as a safety measure. **Please read and understand these instructions and disclaimer in their entirety before attempting installation.**

CAUTION! WORK ONLY ON A LEVEL SURFACE. USE JACKS /JACK STANDS OF SUFFICIENT CAPACITY TO LIFT AND SUPPORT YOUR VEHICLE. NEVER WORK UNDER A VEHICLE SUPPORTED BY A FLOOR OR BUMPER JACK.

Removing the OEM Exhaust:

1. Apply penetrating oil to each rubber hanger on the exhaust.
2. Loosen the 15mm nut on the band clamp (A) just over the axle on the tailpipe. **Fig. 1**
3. Remove the (x2) bolts from the frame hanger assembly (B). **Fig. 1**
4. Pry back the locking retainer using a small screwdriver.
5. Remove the tailpipe.

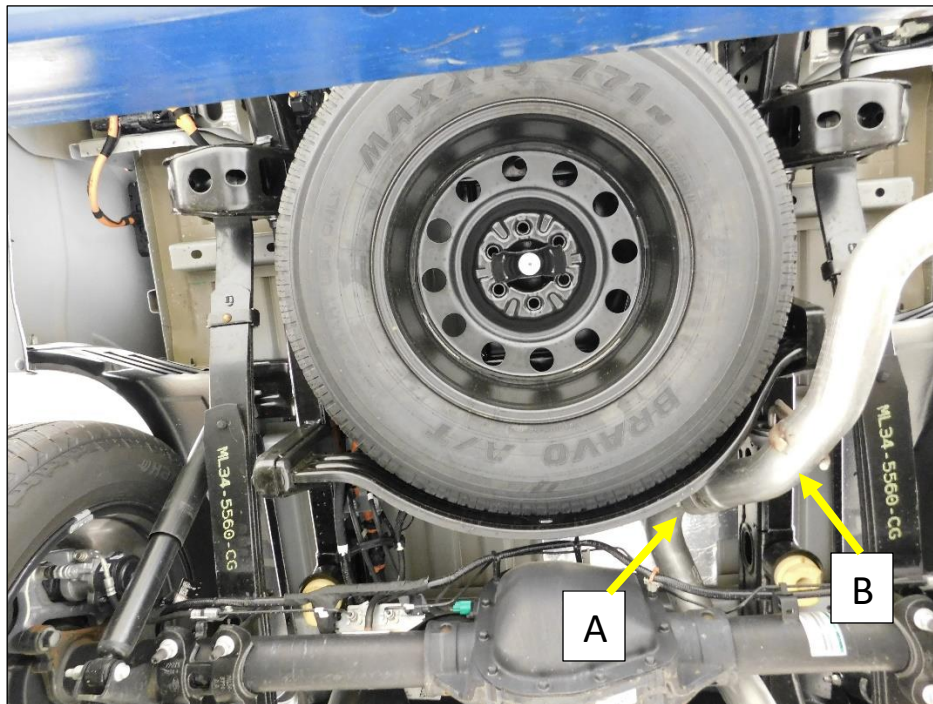


Figure 1

Removing the OEM Exhaust Continued

Important: Support the resonator at this point with a jack stand and continue to support the resonator while the Flowmaster Exhaust is being installed to prevent damage to the flex joint in the system.

6. Remove the (x3) bolts at the frame hanger (C) and the x1 bolt at the muffler hanger (E). **Fig. 3**
7. Loosen the 15mm nut on the band clamp between the resonator and the muffler (D). **Fig. 2/3**
8. Release the locking clip on the at the slip joint between the muffler and resonator. Remove the muffler assembly.

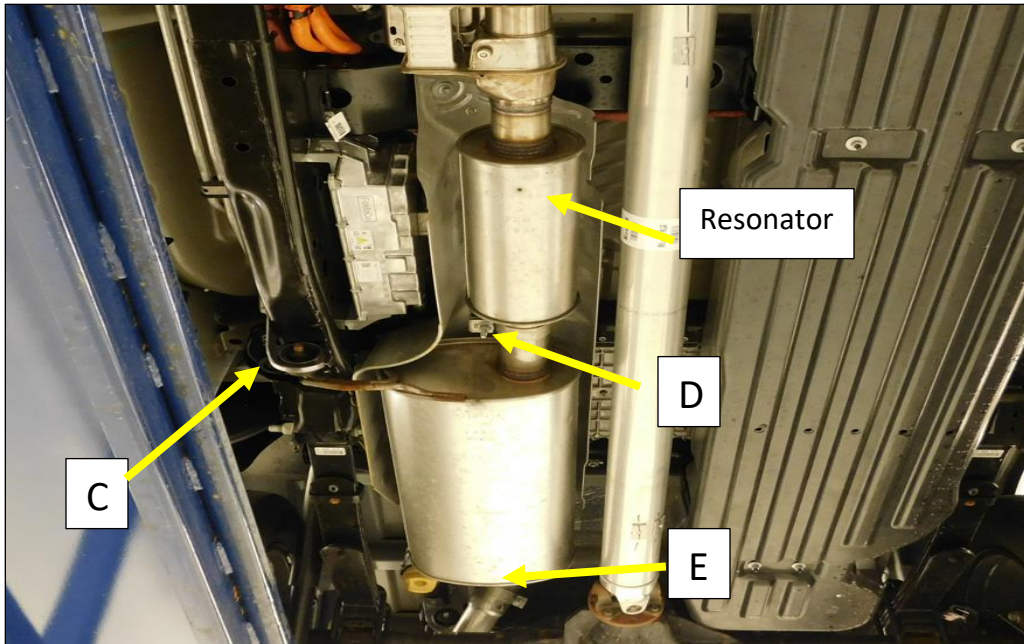


Figure 2

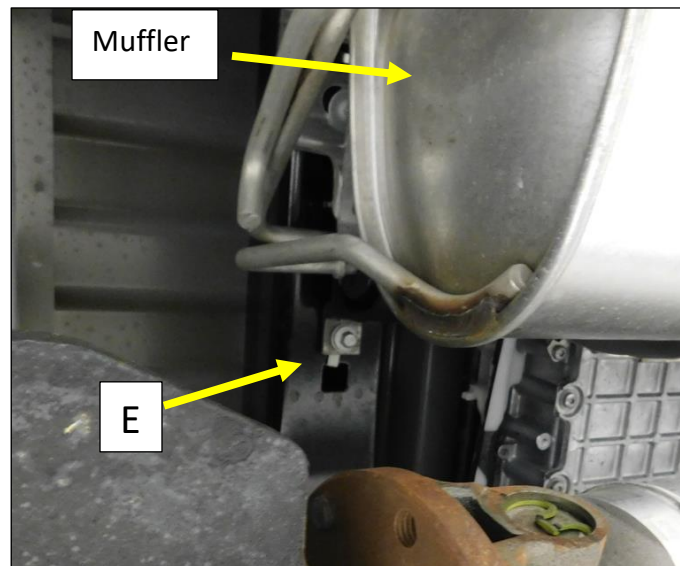


Figure 3

INSTALL YOUR FLOWMASTER EXHAUST SYSTEM



Before installing clamps in the following steps, remove their nuts, apply anti-seize compound to the bolt threads, and re-install the nuts.

* Determine if using the supplied muffler inlet extension pipe will be necessary by using the reference chart.

Muffler Inlet Extension Pipe Reference Chart

Wheelbase	Body Style	Bed Length	Inlet pipe configuration	Trim Requirement
145"	Super Crew	5.5'	Inlet Pipe only	None
145"	Super Cab	6.5'	Inlet Pipe only	None
157"	Super Crew	6.5'	Inlet + Extension	Trim 6" From Extension
163"	Super Cab	8'	Inlet + Extension	None

PowerBoost Muffler Inlet Pipe Installation

1. Install the muffler inlet pipe (2) into the resonator. **Fig. 4**
2. Install the muffler frame hanger (C) on to the inlet pipe hanger rod. Install the (x3) bolts and tighten. **Fig. 4**
3. Tighten the OEM clamp at the resonator to allow for adjustment. **Fig. 4**

NOTE: If Required - Install the muffler inlet extension pipe between the resonator and muffler inlet pipe (4) using the supplied 3" band clamp.

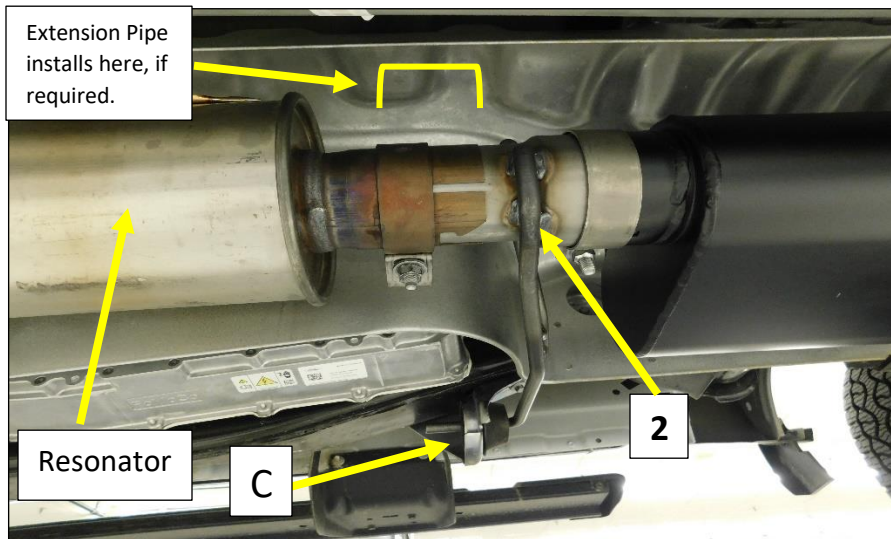


Figure 4

Installation Continued

4. Install a 3" band clamp (7) on to the muffler inlet and a 3.5" band Clamp (8) on to the outlet of the muffler with the bolt to the outside and the nut facing down. **Fig. 5**
5. Install the muffler (1) on to the muffler inlet pipe with the Flowmaster logo facing the ground. **Fig. 5**
6. Tighten the 3" inlet clamp (7) to allow for adjustment.
7. Reinstall the muffler hanger assembly (E). * Be sure the tab is in the slot (not the round hole) **Fig. 6**
8. Install the muffler outlet pipe over the axle and install the hanger rod into the muffler hanger and the outlet pipe into the muffler at the same time. **Fig. 5/6** - Tighten the 3.5" clamp (8) to allow for adjustment

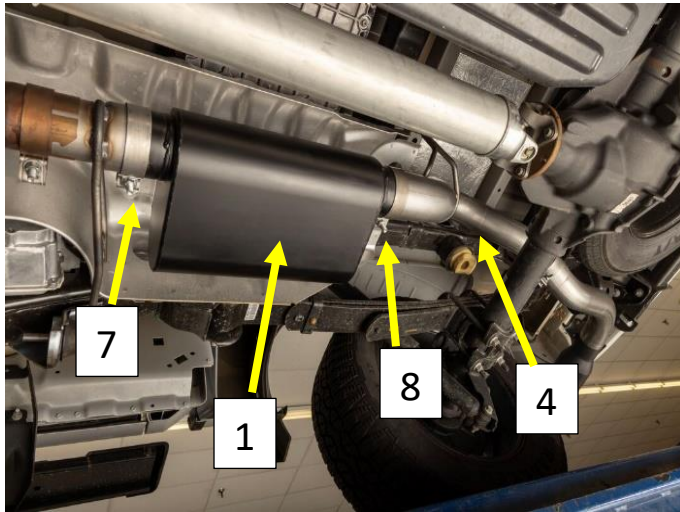


Figure 5

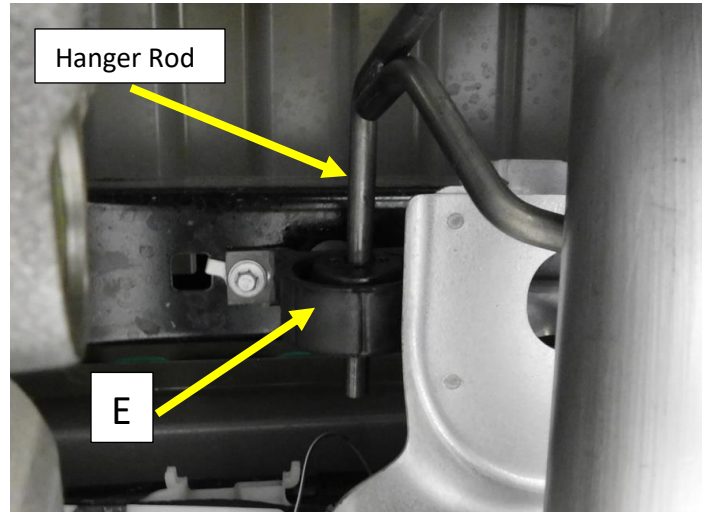


Figure 6

9. Install the frame hanger (B) on to the hanger rod just over the axle. Install the (x2) bolts. **Fig. 7**
10. Install a 3.5" band clamp (8) on to the expanded end of the tailpipe. **Fig. 7**
11. Install the tailpipe (5) on to the muffler outlet pipe (4). **Fig. 8** - Tighten the clamp to allow for adjustment.
12. Install the Black Tip (6) on to the tailpipe and adjust the stick out as desired. **Fig. 8** - Tighten the clamp bolt.

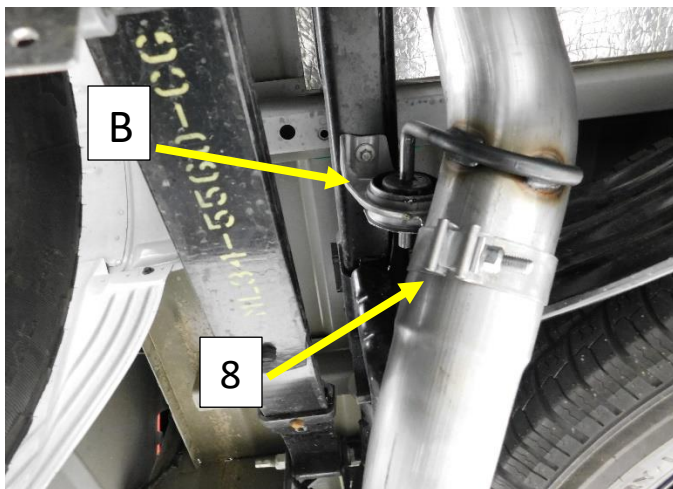


Figure 7

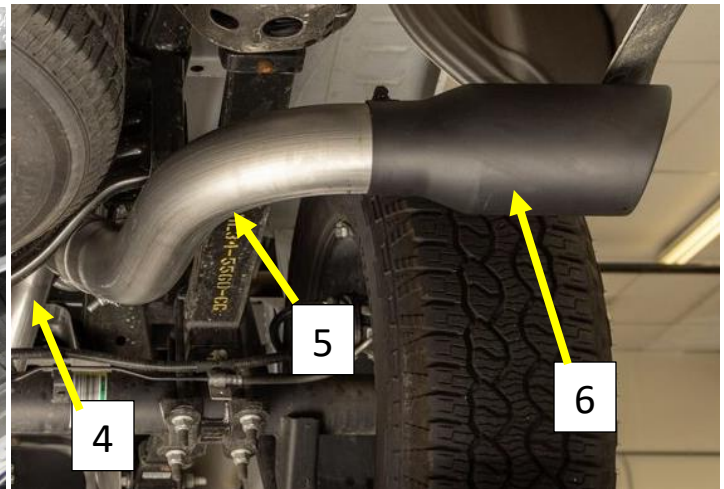


Figure 8

Installation Continued

13. Adjust the system for best alignment and component clearance. Start at the front and work your way to the back of the vehicle. Tighten all clamps and hardware as you go.



Enjoy Your Flowmaster Exhaust!