



Installation Instructions

818204

Direct Fit Muffler
2025 - 2026 RAM 1500
High Output
3.0L Turbo I6 Engine



Installation requires moderate mechanical skill. If this job is beyond your abilities, seek the services of a qualified technician.

If you do not understand any part of these instructions, please call Flowmaster Technical Support at (866) 464-6553 for assistance.

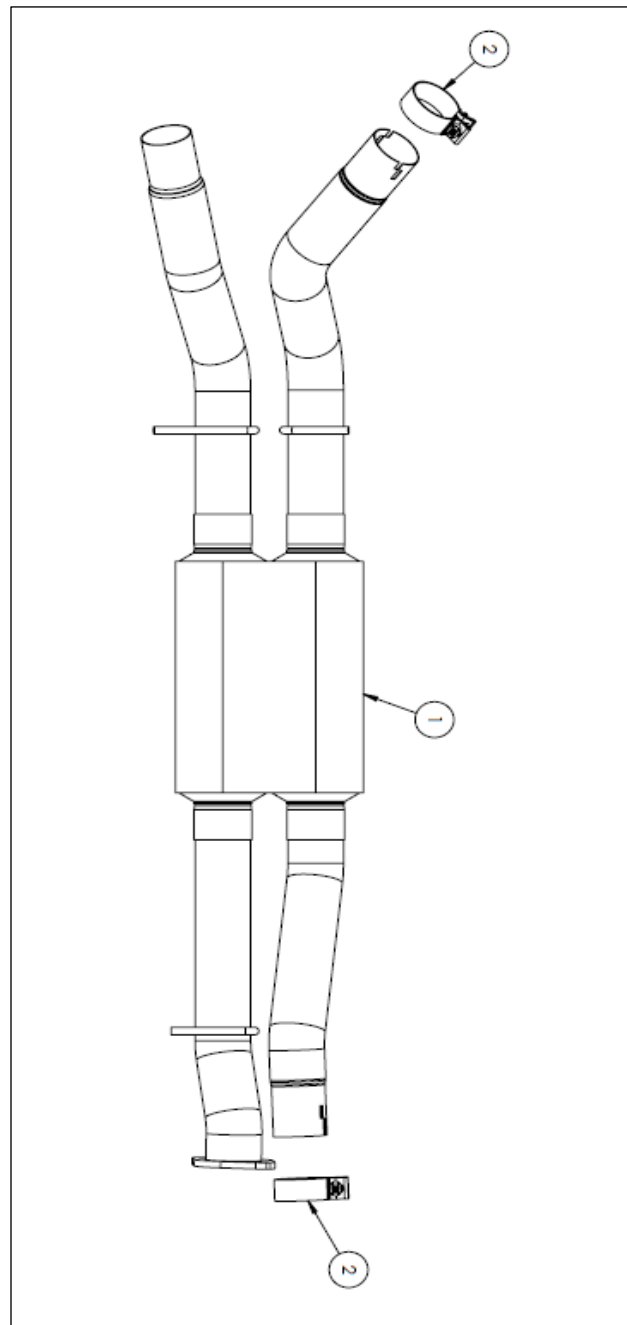
Apply penetrating oil generously to clamps, fasteners, pipes, and hanger rods for ease of disassembly.

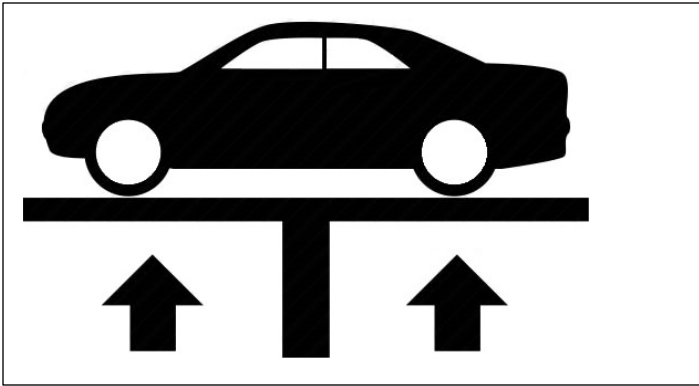
REVIEW THE INSTRUCTIONS & VERIFY THE KIT CONTENTS

Take a moment to read and understand these instructions before installing your Flowmaster exhaust kit.

ITM#	Part #	Description	Qty.
1	8530404-624	25 RAM FFX Direct Fit Muffler	1
2	MC234BS	2.750" Stainless Band Clamp	2

Use the parts drawing and list to identify components and verify your kit's contents. In the unlikely event that any parts are missing, please contact Flowmaster Technical Support for replacements.





Vehicle Compatibility

Model Year: 2025 - 2026

Make: RAM

Model: 1500

Engine: 3.0L Twin Turbo I6

- High Output Engine
- All Wheel Bases

****Will Not Work with Standard Output Engine**

****Will not work with RHO**

BEFORE STARTING:

Raise the vehicle to a minimum of eighteen inches. A floor hoist is ideal. If no hoist is available, we strongly urge the use of axle stands as a safety measure. **Please read and understand these instructions and disclaimer in their entirety before attempting installation.**

CAUTION! WORK ONLY ON A LEVEL SURFACE. USE JACKS /JACK STANDS OF SUFFICIENT CAPACITY TO LIFT AND SUPPORT YOUR VEHICLE. NEVER WORK UNDER A VEHICLE SUPPORTED BY A FLOOR OR BUMPER JACK

Removing the OEM Exhaust:

NOTE: Cutting the factory exhaust is necessary. Please read and follow all instructions before attempting to install this exhaust system.

Removing the OEM Muffler Assembly

1. Apply penetrating oil to the rubber isolator at the 2-bolt flange. **See figure.5 (B)**
2. Support the exhaust assembly before making cuts or removing any rubber hangers.
3. Cut the left (Drivers Side) tail pipe at the location in **Fig. 1/ Fig. 2**
 - Measure from the clamp mark closest to the bend on the tailpipe and make a witness mark at 3 1/4" **Fig.2**
 - Wrap masking tape around the pipe at the mark to use as a straight edge for making a clean cut.
 - Cut the pipe at the mark, following the tape edge as you go. Deburr the tail pipe inside and out.

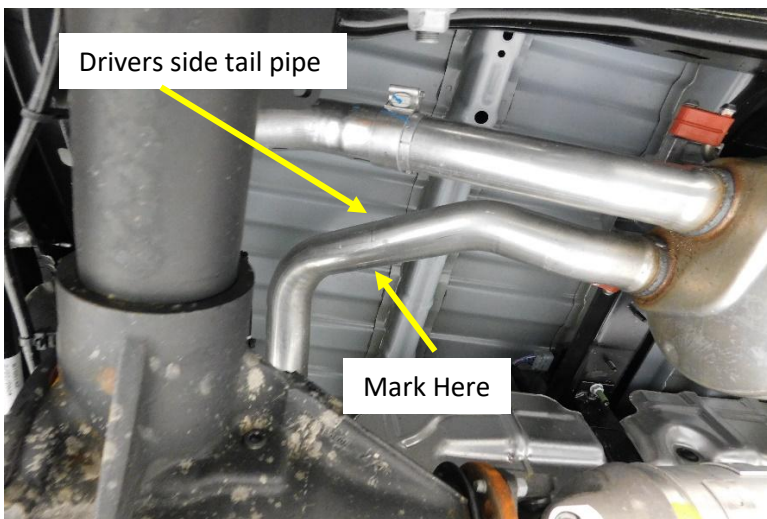


Figure. 1



Figure.2

Removing the OEM Muffler Assembly Cont'd

4. Remove the (2x) bolts at the Muffler inlet pipe Flange. **Fig. 3**
5. Loosen the clamp at the left muffler inlet pipe
6. Loosen the Clamp at the right tail pipe connection just before the axel and spray with penetrating oil.
7. Work the right tail pipe off the muffler assembly. It may be necessary to remove the isolator on the frame rail.
8. Remove the (2x) 13mm nuts securing the muffler hanger bracket over the rear of the Muffler. **Support the Muffler!**
9. Remove the Muffler assembly from the vehicle.

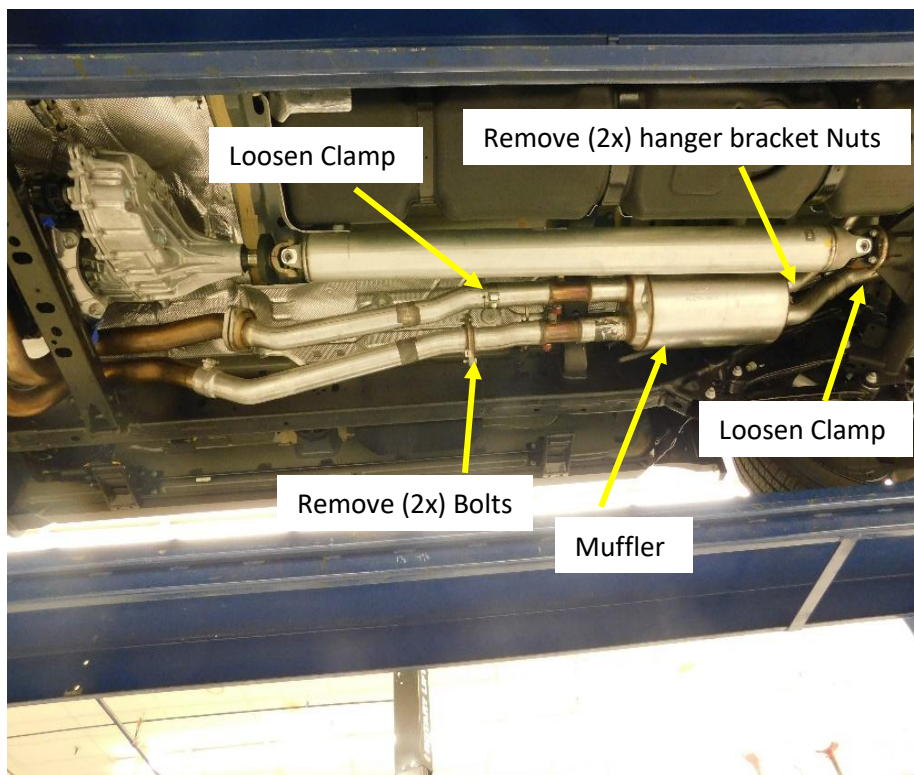


Figure.3

10. Remove the rear hanger assembly and Isolators from the muffler and save for reuse. (Note it's orientation for re-installation)
11. Remove the muffler inlet pipe isolator and re-install it on the frame.
12. Remove the metal gasket from the OEM Muffler flange and transfer it to the OEM down pipe flange.

818204 Installation

1. Install the 2 3/4" band clamp **(2)** on to the 818204 Direct fit left muffler outlet pipes reduced end, the second 2 3/4" band clamp **(2)** installs at the slip joint connection of the left muffler inlet pipe. Position the bolts to the right side and nuts facing down. **Fig.4 / Fig.5**
2. Install the Muffler hanger bracket **(A)** on to the tail pipe hanger rods. Be sure the bracket is facing the correct way. **Fig. 4**
3. Position the muffler assembly into the vehicle and align the left Muffler outlet pipe to the Left tail pipe. Work the tail pipe into the slip joint. Do not tighten the clamps . **Fig.4**
4. Align the Muffler inlet pipes to the OEM mid pipes. Install the left mid pipe into the left Muffler inlet pipe slip joint with the alignment pin in the slot. **Fig.5**
5. Align the Muffler inlet pipe hanger rod **(B)** to the isolator on the frame at the flange. Install the hanger rod into the isolator. **Fig.5**
6. Align the Muffler rear hanger bracket assembly (A) to the studs on the frame and install the (2x) 13mm nuts. **Fig.4**
7. Install the OEM bolts at the flange connection (C) between the right Muffler Inlet Pipe and the OEM mid pipe. Be sure the metal gasket is in place.
8. Tighten the bolts to hold the assembly in place but allow for adjustment.

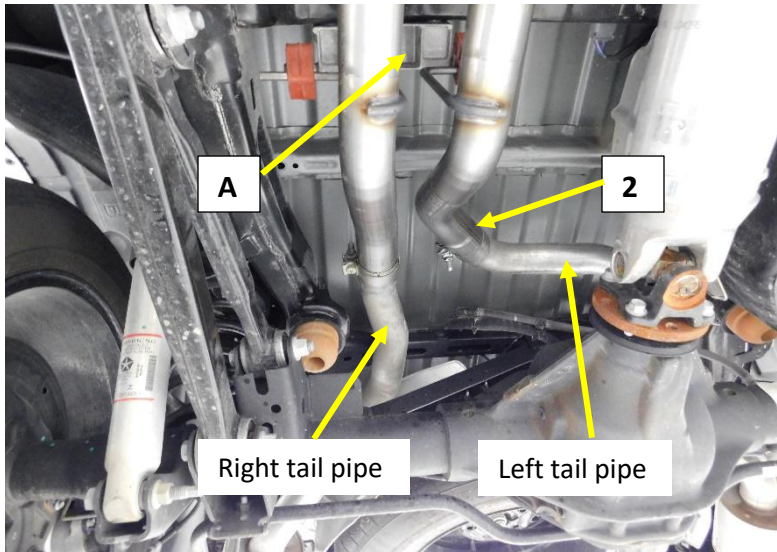


Figure. 4

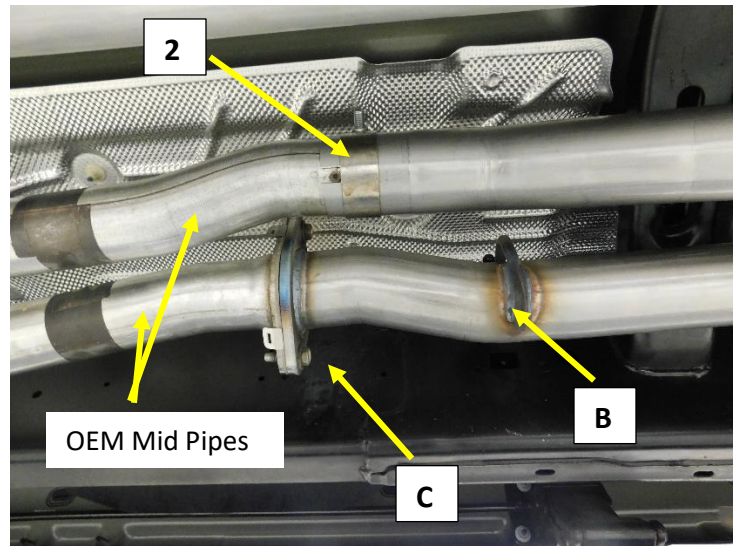


Figure. 5

9. Install the Right tail pipe on to the right muffler outlet pipe. Install the rear frame hanger if removed.
10. Align the tail pipes and tips, tighten the band clamps on the tail pipes.
11. Tighten the bolts at the flange connection.
12. Double check alignment and recheck all hardware.
13. Final tip alignment can be made at the OEM tip clamp connection if necessary.



Enjoy Your Flowmaster Exhaust!