

# **MSD** INSTALLATION INSTRUCTIONS

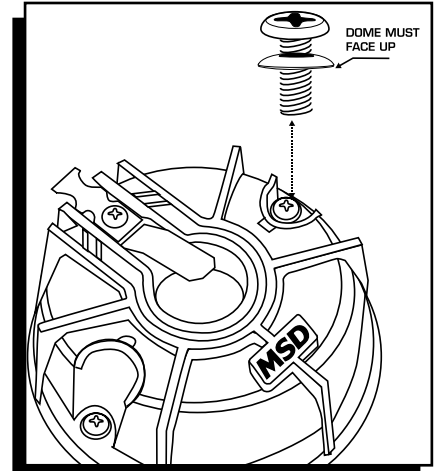
## **MSD Rotor, PN 84673, PN 84675 Replacement Rotor for PN 8351, PN 8353, PN 84891 and PN 85701 Distributors**

### **Parts Included:**

1 – Rotor  
2 – 5/8" Phillips Head Screws  
2 – Belleville Washers

**WARNING:** Disconnect the battery during installation. When disconnecting the battery, always remove the negative cable first and install it last.

Mark the location of the plug wires before removing them from the cap. Remove the cap and rotor. Install the new rotor being sure the round and square aligning pegs are lined up correctly on the advance plate. Install the Belleville washers with the **dome facing up** on the screws and tighten the rotor (Figure 1). Install the cap and plug wires.



**Figure 1 Washer Installation.**

**MSD** • [WWW.MSDPERFORMANCE.COM](http://WWW.MSDPERFORMANCE.COM) • (915) 857-5200 • FAX (915) 857-3344

FRM27525

© 2014 MSD LLC  
Revised 01/17

Printed in U.S.A.

# **MSD** INSTALLATION INSTRUCTIONS

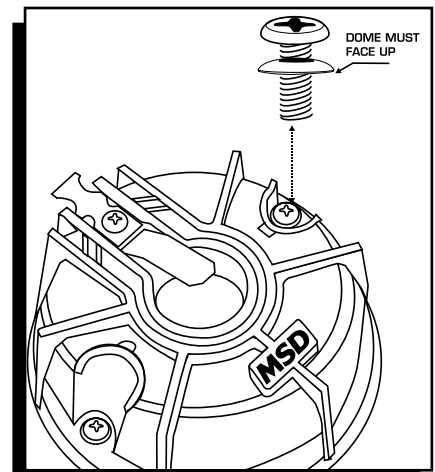
## **MSD Rotor, PN 84673, PN 84675 Replacement Rotor for PN 8351, PN 8353, PN 84891 and PN 85701 Distributors**

### **Parts Included:**

1 – Rotor  
2 – 5/8" Phillips Head Screws  
2 – Belleville Washers

**WARNING:** Disconnect the battery during installation. When disconnecting the battery, always remove the negative cable first and install it last.

Mark the location of the plug wires before removing them from the cap. Remove the cap and rotor. Install the new rotor being sure the round and square aligning pegs are lined up correctly on the advance plate. Install the Belleville washers with the **dome facing up** on the screws and tighten the rotor (Figure 1). Install the cap and plug wires.



**Figure 1 Washer Installation.**

**MSD** • [WWW.MSDPERFORMANCE.COM](http://WWW.MSDPERFORMANCE.COM) • (915) 857-5200 • FAX (915) 857-3344

FRM27525

© 2014 MSD LLC  
Revised 01/17

Printed in U.S.A.