



Installation Instructions

718165

2023-2026
Chevrolet Colorado/GMC Canyon
2.7L Turbo Engine

Installation requires moderate mechanical skill. If this job is beyond your abilities, seek the services of a qualified technician.

If you do not understand any part of these instructions, please call Flowmaster Technical Support at (866) 464-6553 for assistance.

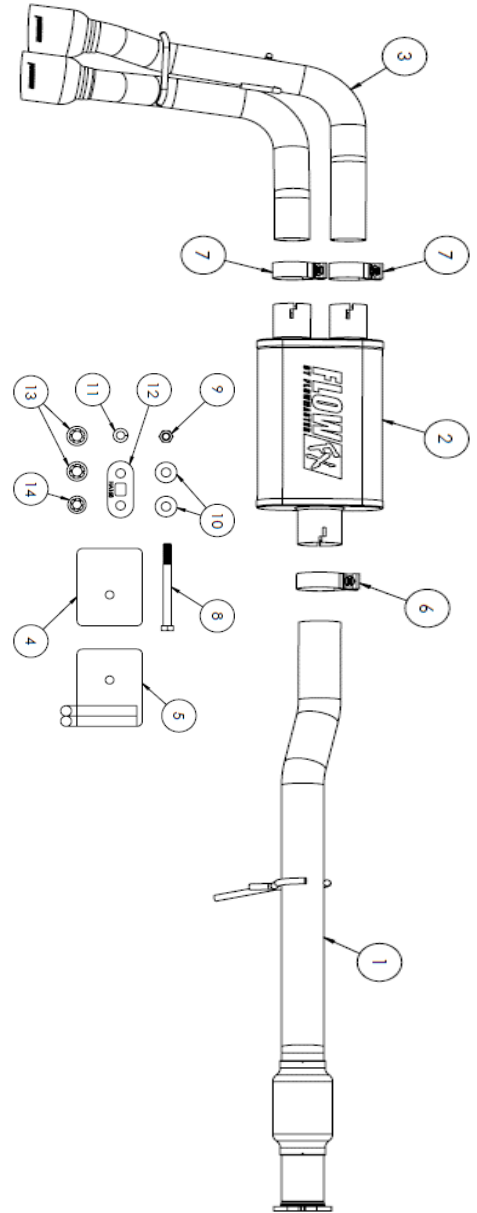
Apply penetrating oil generously to clamps, fasteners, pipes, and hanger rods for ease of disassembly.

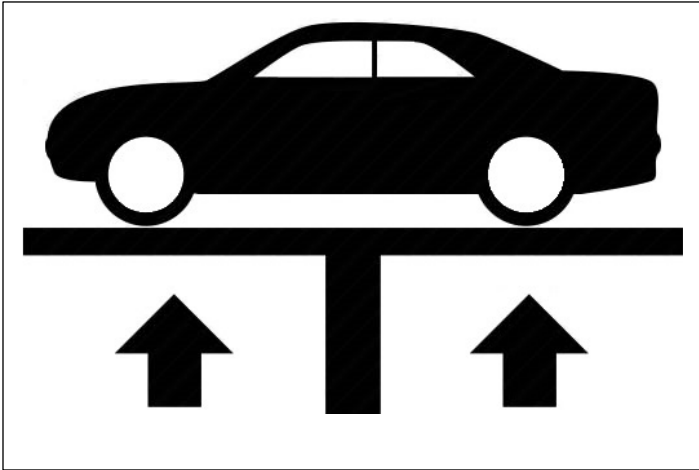
REVIEW THE INSTRUCTIONS & VERIFY THE KIT CONTENTS

Take a moment to read and understand these instructions before installing your Flowmaster exhaust kit.

ITM#	Part #	Description	Qty.
1	26964M	Muffler Inlet Pipe	1
2	72198-Z	Muffler	1
3	86773M	Tail Pipe Assembly	1
4	536HA	Backing Plate	1
5	HA2279	Frame Hanger	1
6	MC300BS	3" Band Clamp	1
7	MC250BS	2.5" Band Clamp	2
8	HW220	3/8-16 X 4" Bolt	1
9	HW120	3/8-16 Nut	1
10	HW303	3/8" Flat Washer	2
11	HW309	3/8" Split Washer	1
12	HA168	Rubber Exhaust Hanger	1
13	HW503	1/2" Push Nut	2
14	HW502	7/16" Push Nut	1

Use the parts drawing and list to identify components and verify your kit's contents. In the unlikely event that any parts are missing, please contact Flowmaster Technical Support for replacements.





Vehicle Compatibility

Model Year: 2023-2026

Make: Chevrolet Colorado/ GMC Canyon

Engine: 2.7L Turbo

- Two Wheel Drive and Four-Wheel Drive
- Will Not Fit with Running Boards

BEFORE STARTING:

Raise the vehicle to a minimum of eighteen inches. A floor hoist is ideal. If no hoist is available, we strongly urge the use of axle stands as a safety measure. **Please read and understand these instructions and disclaimer in their entirety before attempting installation.**

CAUTION! WORK ONLY ON A LEVEL SURFACE. USE JACKS /JACK STANDS OF SUFFICIENT CAPACITY TO LIFT AND SUPPORT YOUR VEHICLE. NEVER WORK UNDER A VEHICLE SUPPORTED BY A FLOOR OR BUMPER JACK.

Removing the OEM Exhaust:

NOTE: Cutting the Factory exhaust for removal is recommended but not necessary. Removing the factory exhaust can be done as one piece. (See exhaust removal special note)

Please read and follow all instructions before attempting to install this exhaust system.

Removing the OEM Exhaust:

1. Apply penetrating oil to each rubber hanger on the exhaust.
2. Remove the (x2) 15mm nuts at the two-bolt flange connection. **Fig.1**
3. Cut the exhaust pipe just before the muffler with a reciprocating saw. **Fig.1**
4. Remove the (5) rubber Isolators from the hanger rods.
5. Remove the exhaust from the vehicle in two sections.

Special Note: Removing the exhaust without cutting.

A lift is needed to raise the vehicle. Remove the spare tire and heat shield. Remove the nuts from the 2-bolt flange, remove the rubber hanger isolators. With the rear suspension fully extended, the entire exhaust assembly can be pushed back over the rear axle and rotated far enough to get the front flange past the cross member. Drop the front of the exhaust and remove the assembly towards the front of the vehicle until the tail pipe clears the rear axle.

Caution: Be very careful not to damage the drive shaft while removing the exhaust.

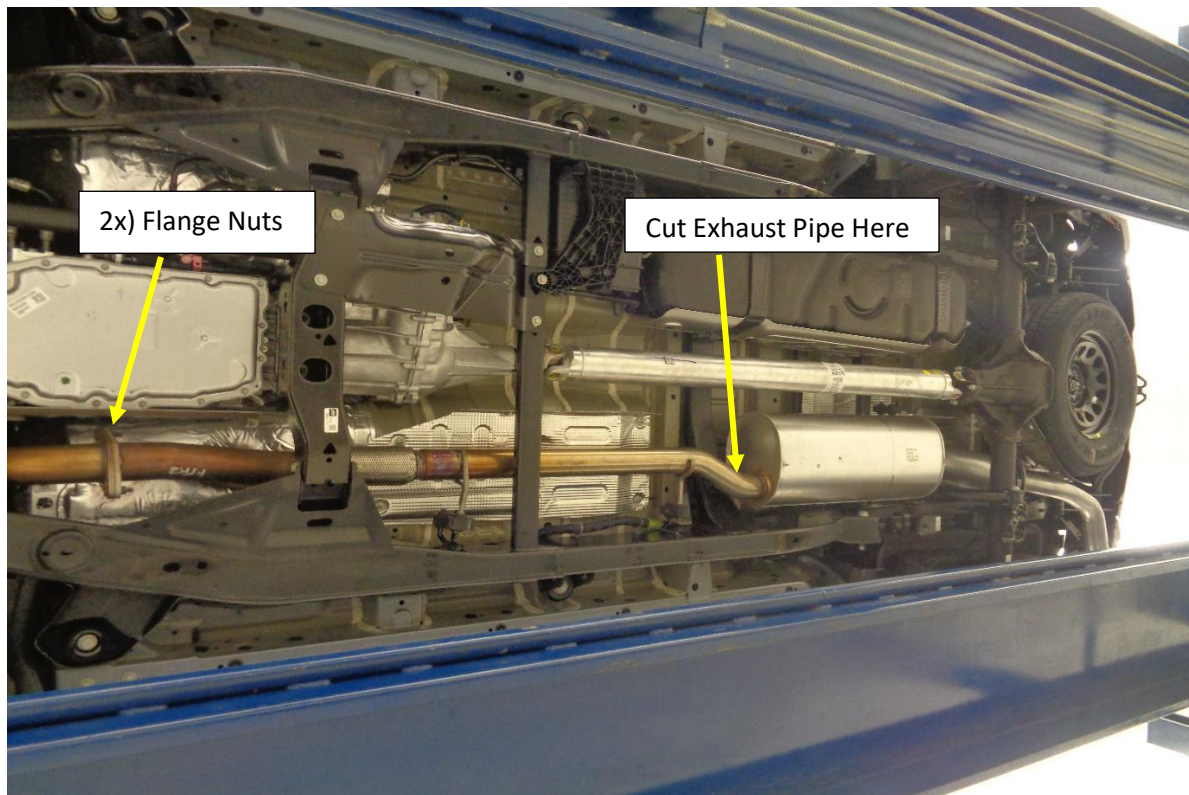


Figure.1

INSTALL YOUR FLOWMASTER EXHAUST SYSTEM



Before installing clamps in the following steps, remove their nuts, apply anti-seize compound to the bolt threads, and re-install the nuts.

1. Re install the spare tire heat Shield and the spare tire if they were removed.
2. Install the OEM rubber hanger rod isolator with the two frame pins. **Fig.1**
Note: No other OEM exhaust hanger isolators will be used for this installation.
3. Install the Flowmaster Muffler inlet pipe **(1)** into the vehicle and on to the studs at the catalytic converter 2 bolt flange. **Fig.2**
4. Install the hanger rod into the OEM isolator. **Fig.2**
5. Install the (2x) 15mm nuts on to the studs at the 2-bolt flange and tighten. **Fig.2**

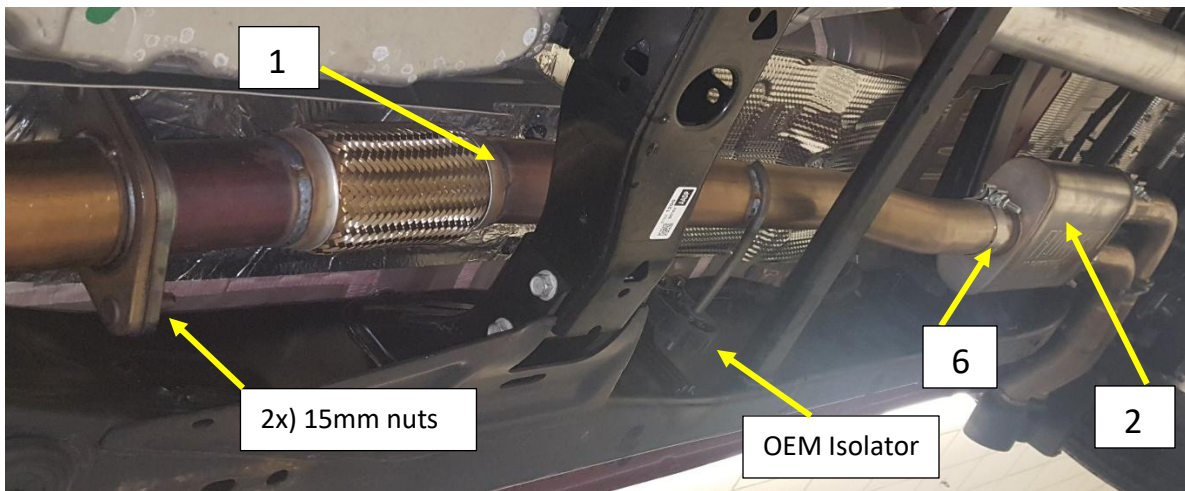


Figure.2

6. Install a supplied 3.0" band clamp **(6)** on to the Muffler inlet, Bolt at the top and the nut facing the ground. **Fig.2**
7. Install the muffler **(2)** on to the muffler inlet pipe and level with the ground and Flow FX Logo running front to back, Tighten the clamp to allow for adjustment. Support the Muffler with a jack stand. **Fig.2**

Exhaust Installation Continued

8. Install a Supplied 2.5" band clamps (7) on to the muffler outlet with the bolt at the top and the nut facing the ground. **Fig.3**
9. Install the Tail Pipe Assembly (3) into the muffler outlets. Tighten the clamps just enough to hold the tail pipe in place and still allow for adjustment.

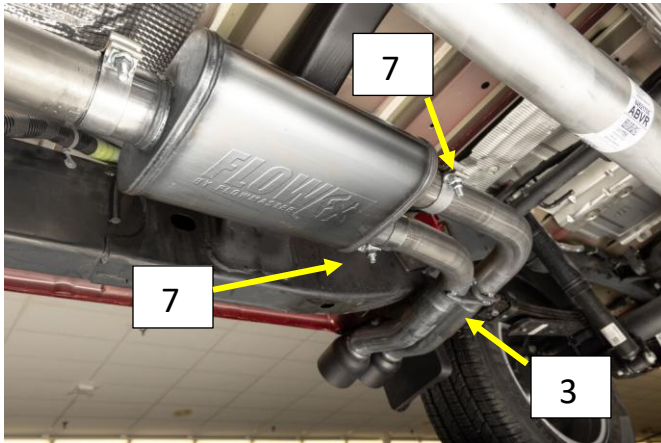


Figure.3

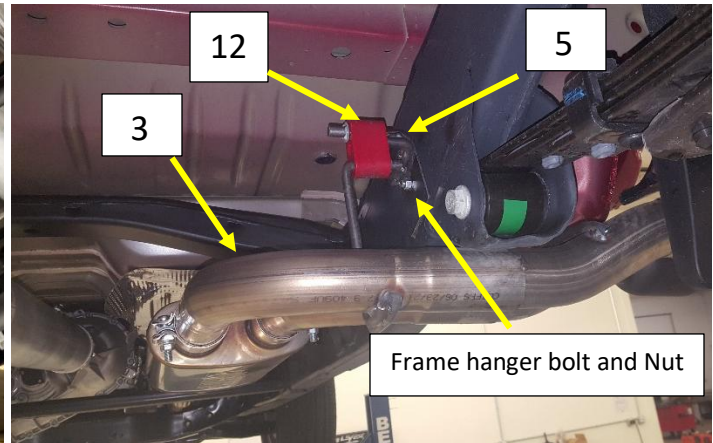
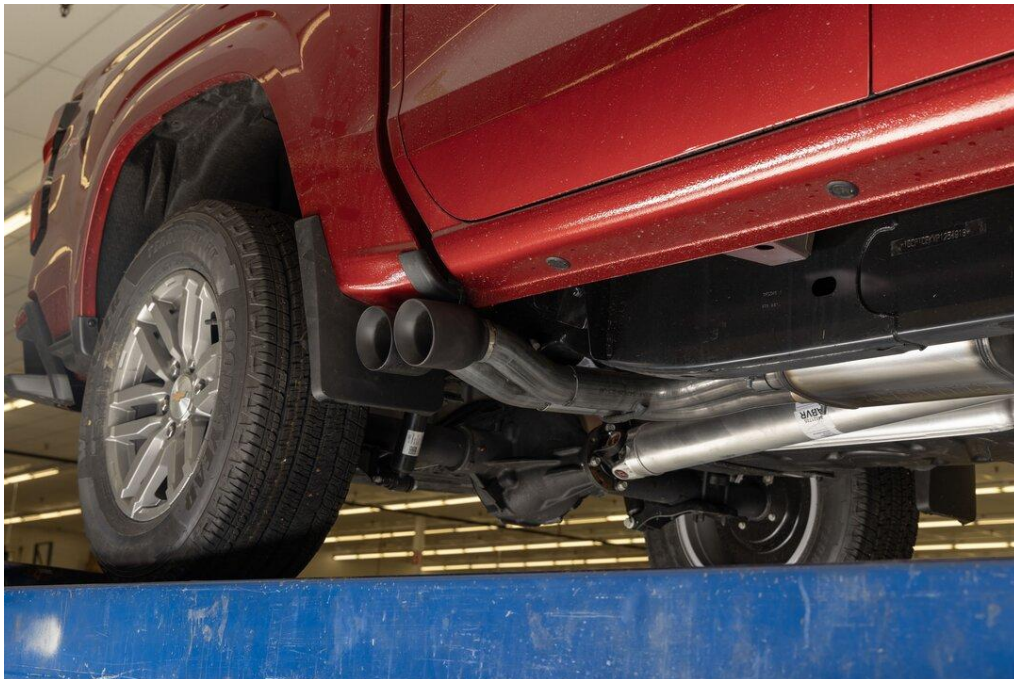


Figure.4

10. Install the Red exhaust isolator (12) on to the frame hanger assembly (5). Install the frame hanger assembly and red isolator on to the tail pipe hanger rod as shown in figure.4.
11. Install a flat washer (10) on to the 3/8-16 x 4" bolt (8)
12. Install the bolt and washer into the backing plate (4).
13. Install the backing plate bolt through the oval shaped hole from the outside of the frame rail, just above the tail pipes and at the location of the frame hanger installed on the hanger rod.
14. The bolt should extend through the frame rail and into the center hole of the frame hanger plate. Install a 3/8 flat washer, Split washer and the 3/8 nut. **Fig.4**
15. Adjust the frame hanger plate so that the hanger rod is at the top of the plate. Align the edge of the frame hanger plate with the weld on the leaf spring bracket. This will be a good starting point for the assembly and can be adjusted up or down as a final adjustment at the end of the installation.
16. Tighten all hardware starting at the 2-bolt flange and working towards the rear of the system. Adjust the system for best alignment and tighten all clamps and hardware as you go.
17. Adjustments to the tail pipe can be made by moving the frame hanger assembly as need to achieve the desired tip alignment to the body.
18. Re check alignment, clamp bolts and hardware after the first test drive and adjust as needed.
19. Install the push nuts on to the hanger rods to prevent the system from moving.

Note: The smaller 7/16 push nut will be installed on to the tail pipe hanger rod. The 1/2" push nuts will install on to the frame hanger rod and the hanger rod at the OEM isolator.



Enjoy Your Flowmaster Exhaust!

