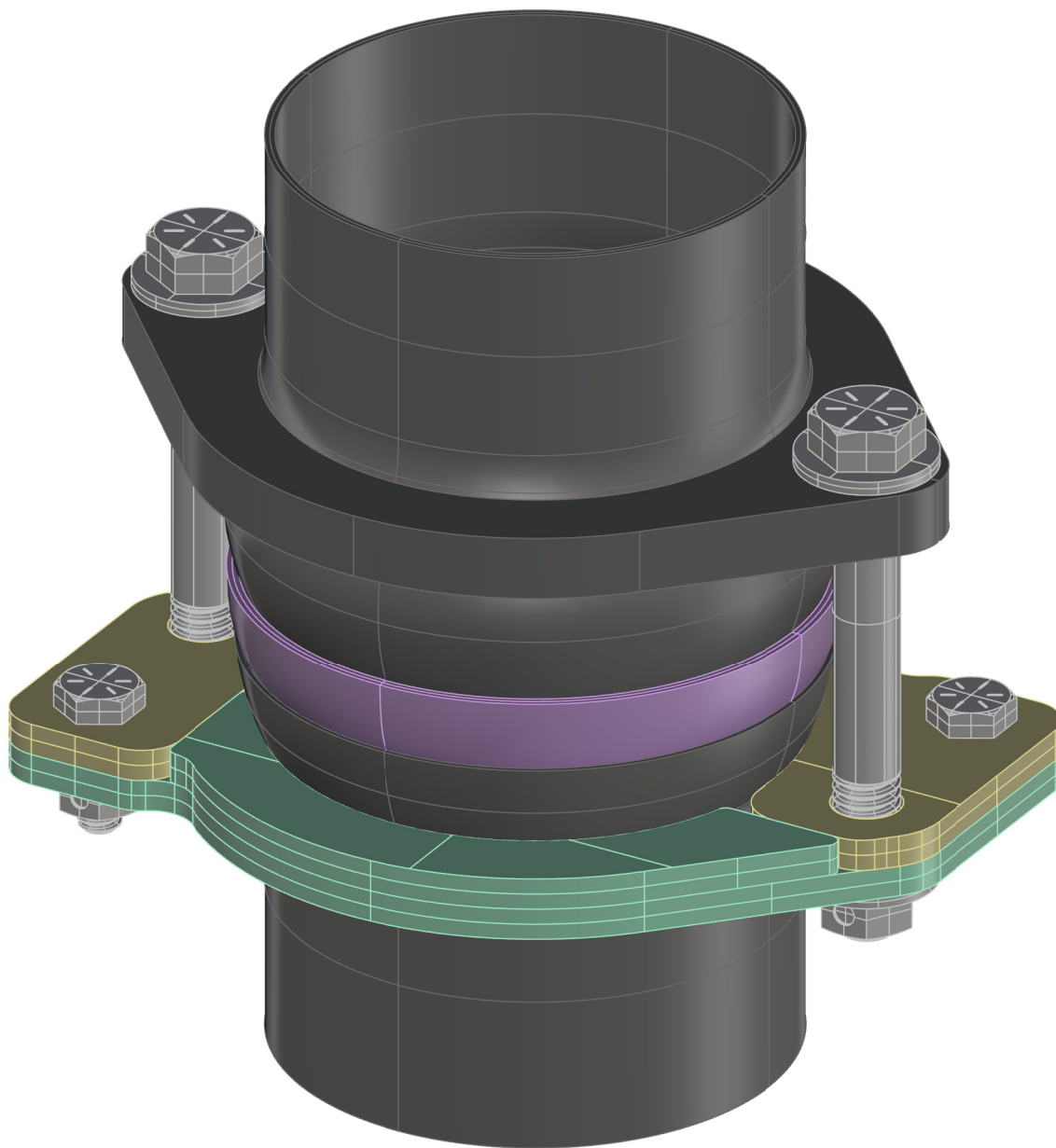
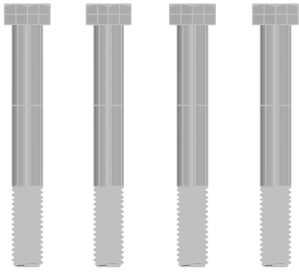


7107-ADAPTOR-KIT INSTRUCTIONS

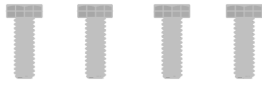


Components to ship with-

(4) MSB-37C300HCS5Z
3/8-16 X3 HEX C/S GR 5 ZNC



(4) MSB-25C75HCS5Z
1/4-20 X 0.75 HEX C/S GR 5 ZNC



(4) MSB-25CN2W0Z
1/4-20 Center Lock Zinc



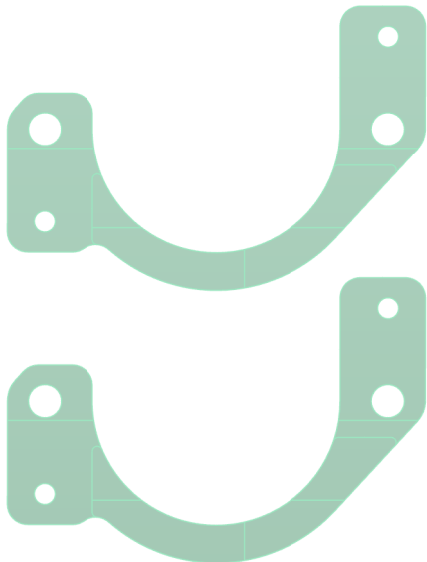
(8) MSB-37NWSA0Z
3/8 SAE F/W ZNC



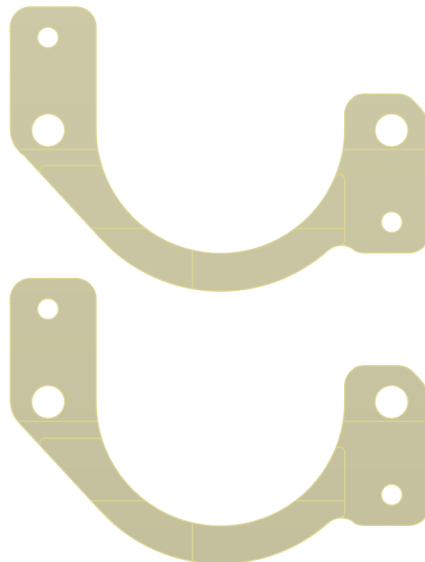
(4) MSB-37CN2W0Z
3/8-16 Center Lock Zinc



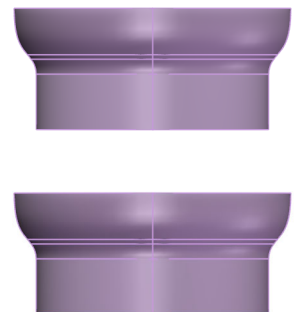
(2) 7107-S-SF-A

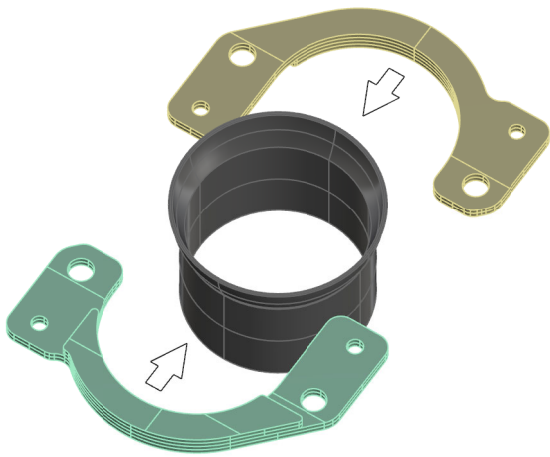


(2) 7107-S-SF-B

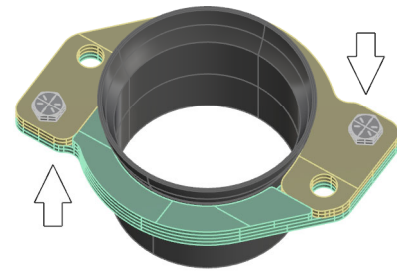


(2) 750048

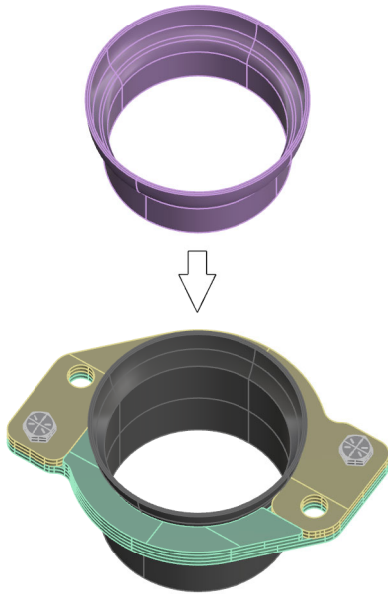




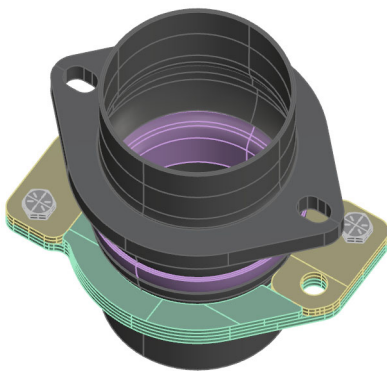
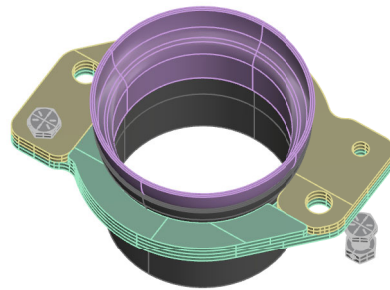
Step 1:
Slide 7107-S-SF-A and B
over flare on exhaust. It does
not matter which flange is on
top.



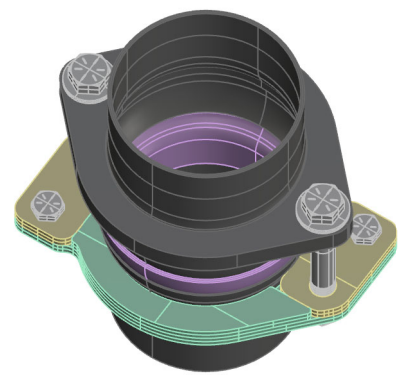
Step 2:
Use the 1/4-20 bolt and lock
nut, bolt pieces together.



Step 3:
Slide 750048 flare into exhaust
flare. May need to clean
inside of pipe to fit properly.



Step 4:
Install exhaust onto headers.



Step 5:
Use 3/8-16 bolts, washers,
and lock nuts and tighten
header to exhaust
connection.