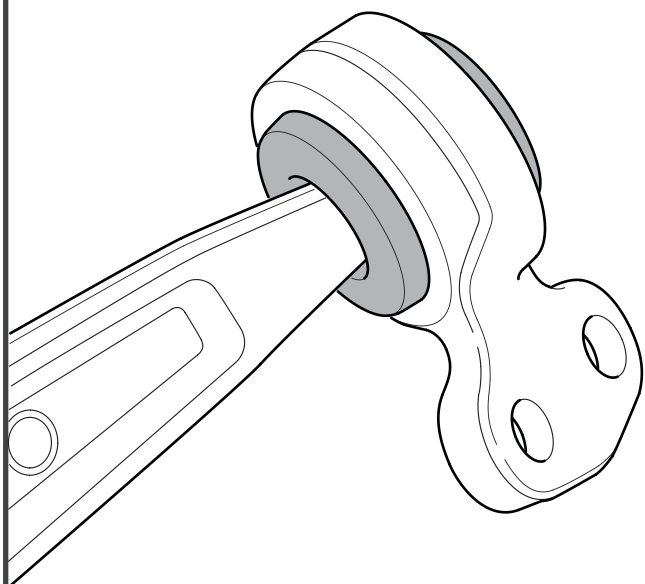


# Instruction Sheet

## Front Control Arm Rear Bushing

Suits: BMW 3 Series E46

**N.B:** This instruction sheet should be used in conjunction with the workshop manual



1. Raise vehicle evenly and support.

*Never rely on a Jack only.*

Remove the front control arm from vehicle.

2. Remove the OE bushing from control arm. Proceed to press old bushing out of housing. Press new supplied bushing **91060** into existing housing.

**Note:** The larger internal step is to be situated closest to the alloy arm.

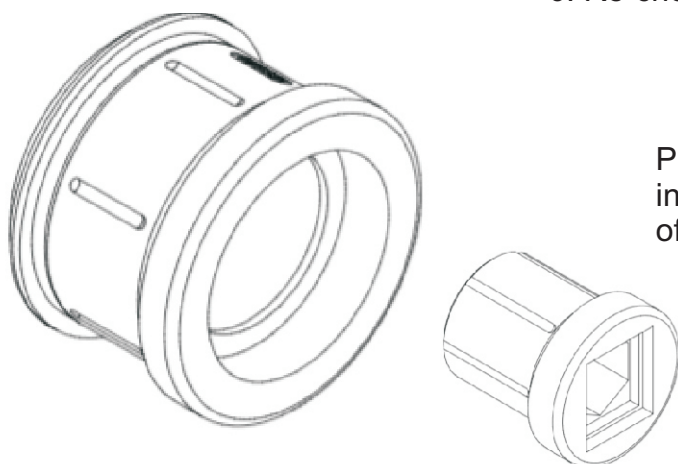
**Use soapy water to help pop bushing into housing**

3. Grease bushing ID with supplied grease only.

4. Pop bushing and housing over smaller bushing **91061**.

5. Re-fit arms to vehicle - carry out a wheel alignment

6. Re-check bolts after initial 100kms traveled.



Place bushing **91061** on control arm initially - with flange facing front of vehicle.

**N.B:** It is recommended that a licenced workshop or tradesperson carry out the above procedure and that workshop manual and relevant safety procedures are followed in addition to the above.