

Instructions

Body Mount Bushings

N.B: This instruction sheet should be used in conjunction with the workshop manual and proper safety procedures followed.

Page 1 of 2

Application - Dodge Dakota 2WD
- 1987-1996

(Refer current catalogue for complete listing)

Note: Any rusted nuts or bolts will require lubricant prior to disassemble.

When removing each mount, be sure to note each location on vehicle. Also, any existing shims will need to be re-used in their respective point

Contents - Bushing 90285 x2
- Bushing 90312 x6
- Bushing 91626 x4

- Loosen all bolts on both sides of vehicle initially.

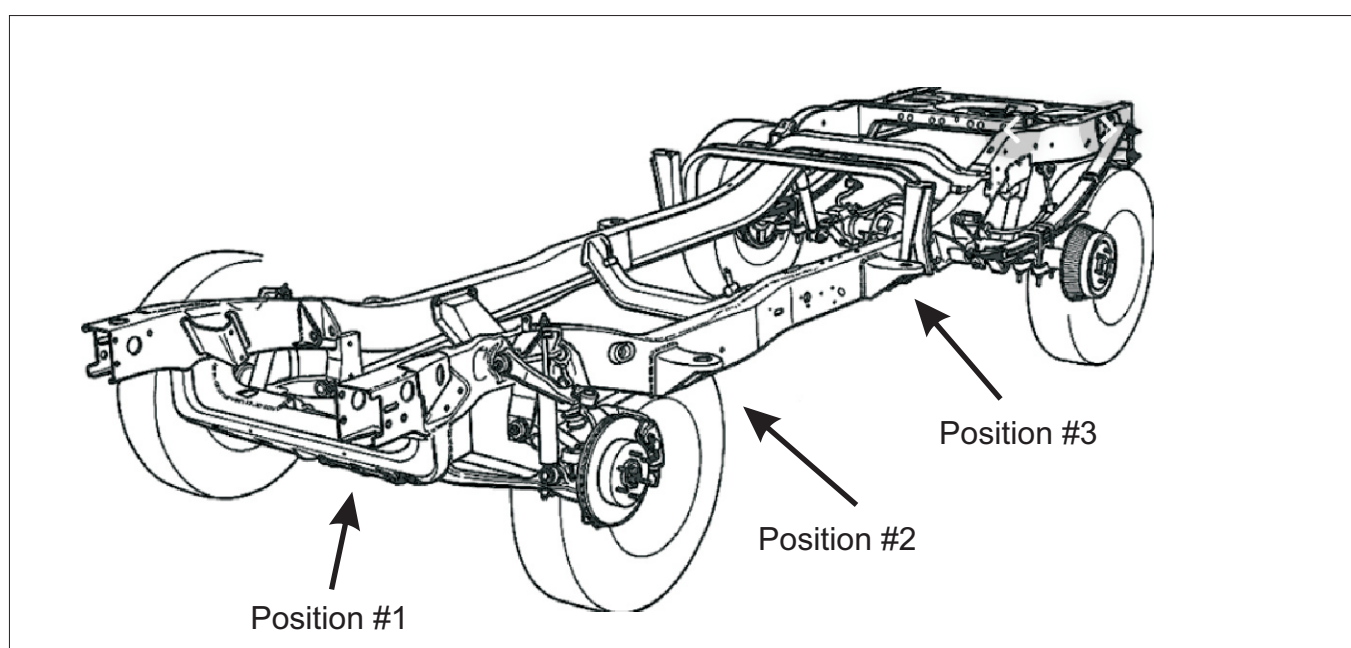
**Be careful of fan shroud and other components while lifting.
A hydraulic jack and timber may be used to lift the body.**

- Proceed by replacing mounts from 1 side of vehicle at a time.
Note - new bolts are supplied.

- Replace 1 mount at a time, but do not tighten new bolts yet - note diagram on page 2 for bushing position.

- Once all mounts are replaced, confirm body is straight/aligned - tighten all nuts to Manufacturers specifications.

- It is recommended all hardware is re-checked after 500kms travelled.

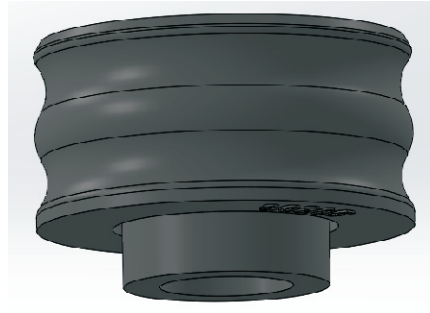


N.B: It is recommended that a licenced workshop or tradesperson carry out the above procedure and that workshop manual and relevant safety procedures are followed in addition to the above.

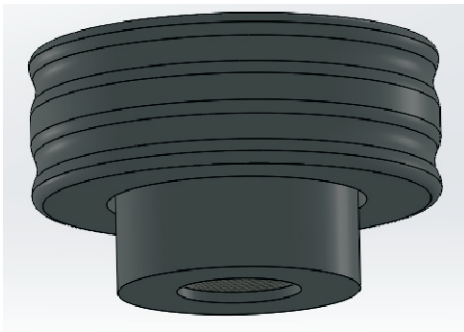
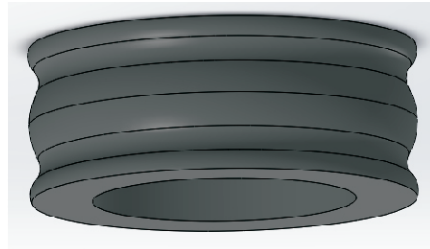
Instructions Body Mount Bushings

Position #1

Bushing 90285



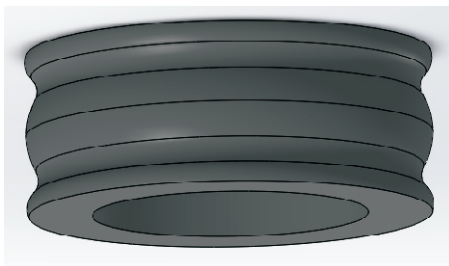
Bushing 90312



Bushing 91626



Position #2 and #3



Bushing 90312



N.B: It is recommended that a licenced workshop or tradesperson carry out the above procedure and that workshop manual and relevant safety procedures are followed in addition to the above.