

Instructions

Body Mount Bushings

N.B: This instruction sheet should be used in conjunction with the workshop manual and proper safety procedures followed.

Page 1 of 2

Application - Ford Excursion
- 1999-05

(Refer current catalogue for complete listing)

Note: Any rusted nuts or bolts will require lubricant prior to disassemble.

When removing each mount, be sure to note each location on vehicle. Also, any existing shims will need to be re-used in their respective point

Contents - Bushing 91543 x12
- Bushing 91544 x12
- Washer 62 x 13 x 9mm x2

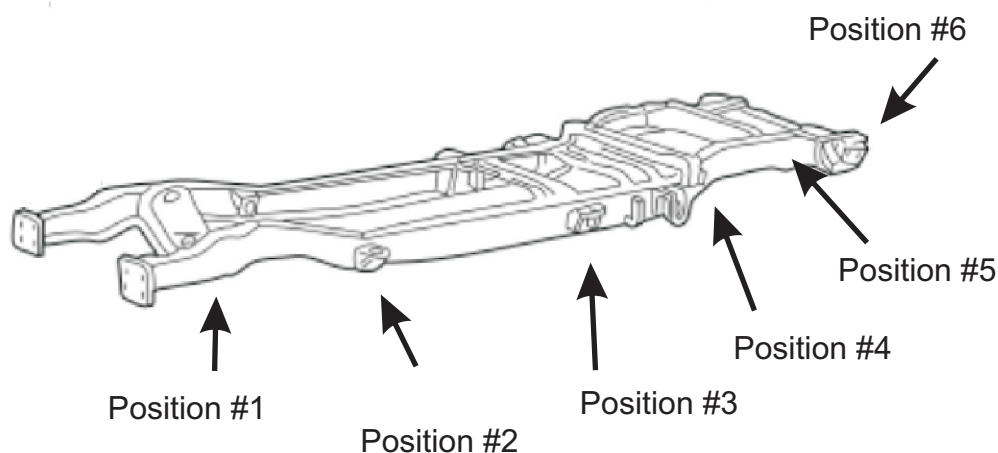
- Open all doors and lift plastic trims up to gain access to bolts under carpet.
- Lift hood and access the 2 nuts near the radiator support.
- Loosen all bolts on both sides of vehicle initially.

**Be careful of fan shroud and other components while lifting.
A hydraulic jack and timber may be used to lift the body.**

- Proceed by replacing mounts from 1 side of vehicle at a time.

**Note - use a screw-driver or pry bar to pop old mounts out of steel shells
(shells will be re-used)**

- Replace 1 mount at a time, but do not tighten bolts yet - note diagram on page 2 for bushing position.
- Once all mounts are replaced, confirm body is straight/aligned - tighten all nuts to Manufacturers specifications.
- It is recommended all hardware is re-checked after 500kms travelled.



**Generic Chassis - note
Body Mount locations**

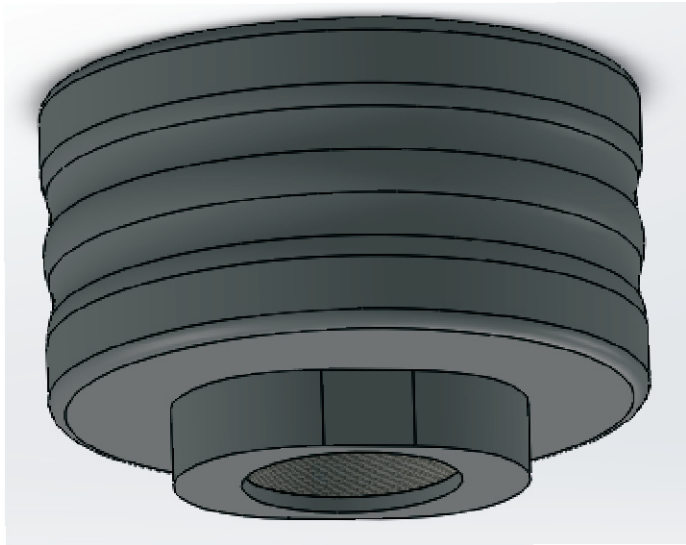
N.B: It is recommended that a licenced workshop or tradesperson carry out the above procedure and that workshop manual and relevant safety procedures are followed in addition to the above.

Instructions Body Mount Bushings

Continued - Page 2 of 2

Note - use supplied washer for mount near radiator - place under head of bolt

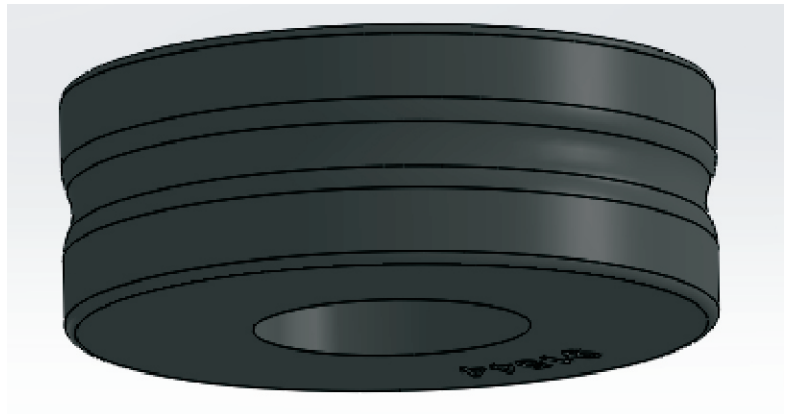
**Upper Mount
Bushing #91543**



Chassis



**Lower Mount
Bushing #91544**



N.B: It is recommended that a licenced workshop or tradesperson carry out the above procedure and that workshop manual and relevant safety procedures are followed in addition to the above.