

# Instructions

## Body Mount Bushings

**N.B:** This instruction sheet should be used in conjunction with the workshop manual and proper safety procedures followed.

Page 1 of 2

**Application** - Pontiac Firebird  
- Pontiac Trans Am  
- 1976-81

(Refer current catalogue for complete listing)

Note: Any rusted nuts or bolts will require lubricant prior to disassemble.

When removing each mount, be sure to note each location on vehicle. Also, any existing shims will need to be re-used in their respective point

**Contents** - Bushing 90743 x 2  
- Bushing 90744 x 4  
- Bushing 90746 x 2  
- Bushing 91439 x 2  
- Bushing 91440 x 2  
- 5/8 inch bolt x 4  
- 1/2 inch bolt x 2  
- 1/2 inch nyloc nut x2  
- Washer 63x13x3 x2  
- Washer 63x16x5 x4  
- Washer 44x13x3 x2  
- Machined washer/tube x6

1. Loosen all bolts on both sides of vehicle initially.

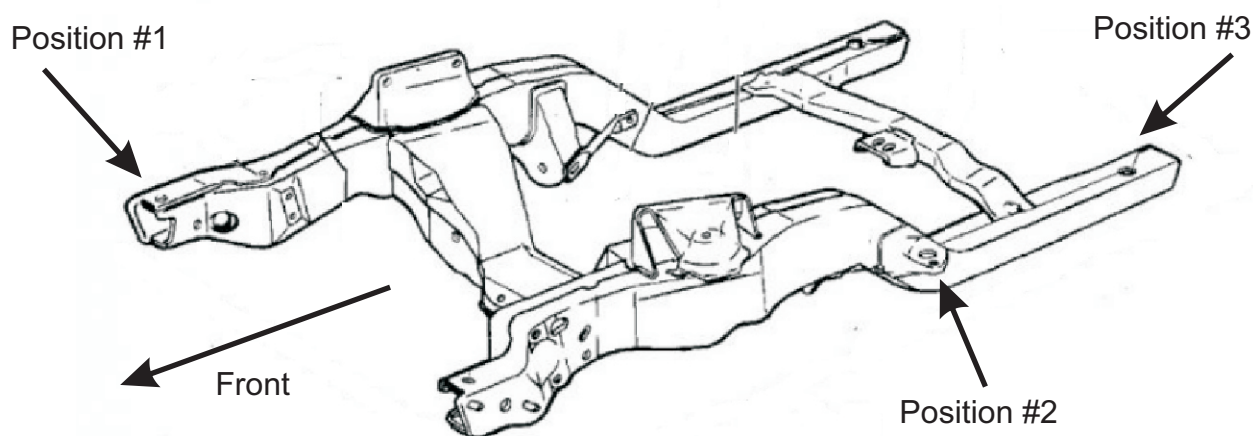
**Be careful of fan shroud and other components while lifting. A hydraulic jack and timber may be used to lift the body.**

2. Proceed by replacing mounts from 1 side of vehicle at a time.

3. Replace 1 mount at a time, but do not tighten bolts yet - note diagram on page 2 for bushing position.

4. Once all mounts are replaced, confirm body is straight/aligned - tighten all nuts to Manufacturers specifications.

5. It is recommended all hardware is re-checked after 500kms travelled.



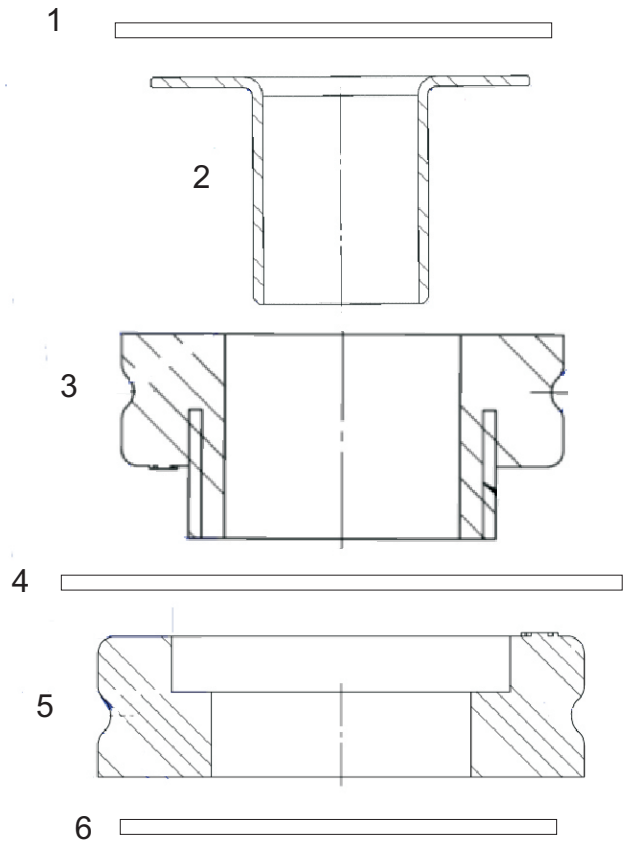
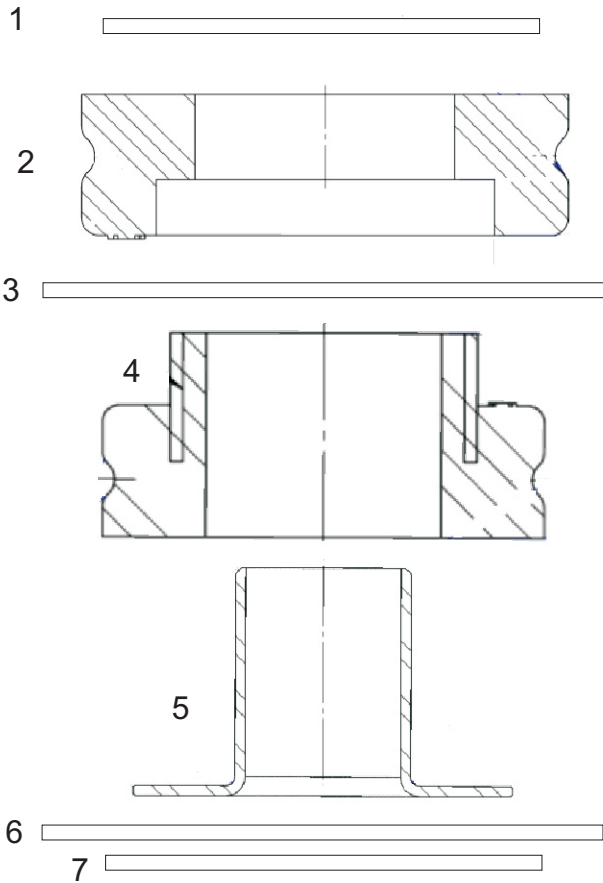
**N.B:** It is recommended that a licenced workshop or tradesperson carry out the above procedure and that workshop manual and relevant safety procedures are followed in addition to the above.

# Instructions

## Body Mount Bushings

### Position #1

### Position #2 and #3



### Position #1

### Position #2

### Position #3

1. Supplied washer 63x13x3
2. Bushing 91440
3. Radiator bracket
4. Bushing 91439
5. Machined washer/tube  
- 38mm long
6. Chassis
7. Supplied washer 63x13x3

1. Vehicle body
2. Machined washer/tube  
- 44.8mm long
3. Bushing 90746
4. Chassis
5. Bushing 90744
6. Supplied washer 63x16x5

1. Vehicle body
2. Machined washer/tube  
- 35.8mm long
3. Bushing 90743
4. Chassis
5. Bushing 90744
6. Supplied washer 63x16x5

Use supplied 1/2 inch nuts and bolts

Use supplied 5/8 inch bolts

Use supplied 5/8 inch bolts