

Instructions

Body Mount Bushings

N.B: This instruction sheet should be used in conjunction with the workshop manual and proper safety procedures followed.

Page 1 of 3

This kit will service the front
3 positions of your chassis

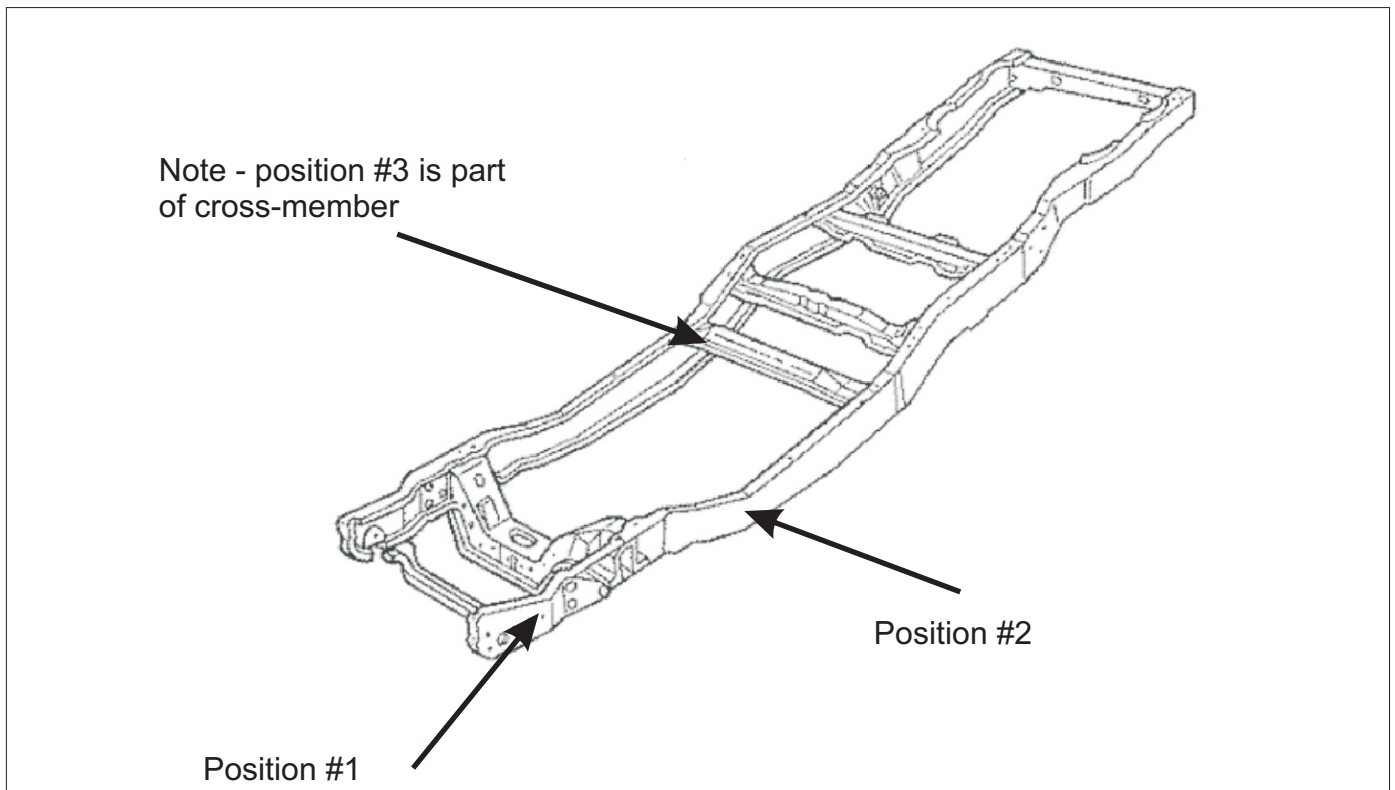
Application - Ford F150 F250 F350
- 2WD and 4WD
- 1980-1996

- Loosen all bolts on both sides of vehicle initially.

Be careful of fan shroud and other components while lifting.
A hydraulic jack and timber may be used to lift the body.

Important - Original Ford mounts need to be 'hit' apart. Loosen original bolt and un-wind approx 25mm (1 inch), then hit head of bolt with a mallet to break mount apart.

- Proceed by replacing mounts from 1 side of vehicle at a time - refer diagrams on next page
- Replace 1 mount at a time, but do not tighten bolts yet - note any shims and re-use.
- Once all mounts are replaced, confirm body is straight/aligned - tighten all nuts to Manufacturers specifications.
- It is recommended all hardware is re-checked after 500kms travelled.



N.B: It is recommended that a licenced workshop or tradesperson carry out the above procedure and that workshop manual and relevant safety procedures are followed in addition to the above.

Instructions Body Mount Bushings

N.B: This instruction sheet should be used in conjunction with the workshop manual and proper safety procedures followed.

Page 2 of 3

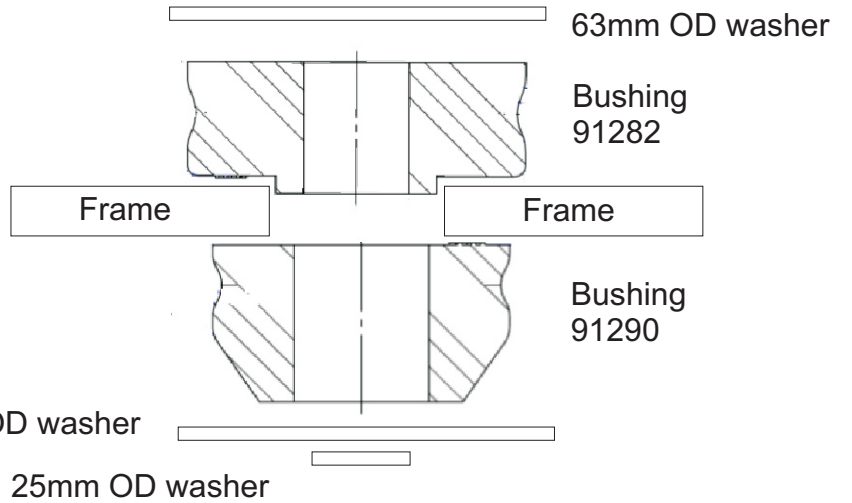
35mm OD washer

63mm OD washer
(cut)

Body →

Position #1

- Use steel tube 22.2x16.2x53.5mm
- Use 7/16 x 4 inch bolt
- Use 7/16 nut



25mm OD washer

50mm OD washer

76mm OD washer

← Body

Bushing 91281

Frame

Frame

Bushing 91291

63mm OD washer

25mm OD washer

Position #2

- Use steel tube 25.4x16.2x58mm
- Use 7/16 x 4 inch bolt
- Use 7/16 nut

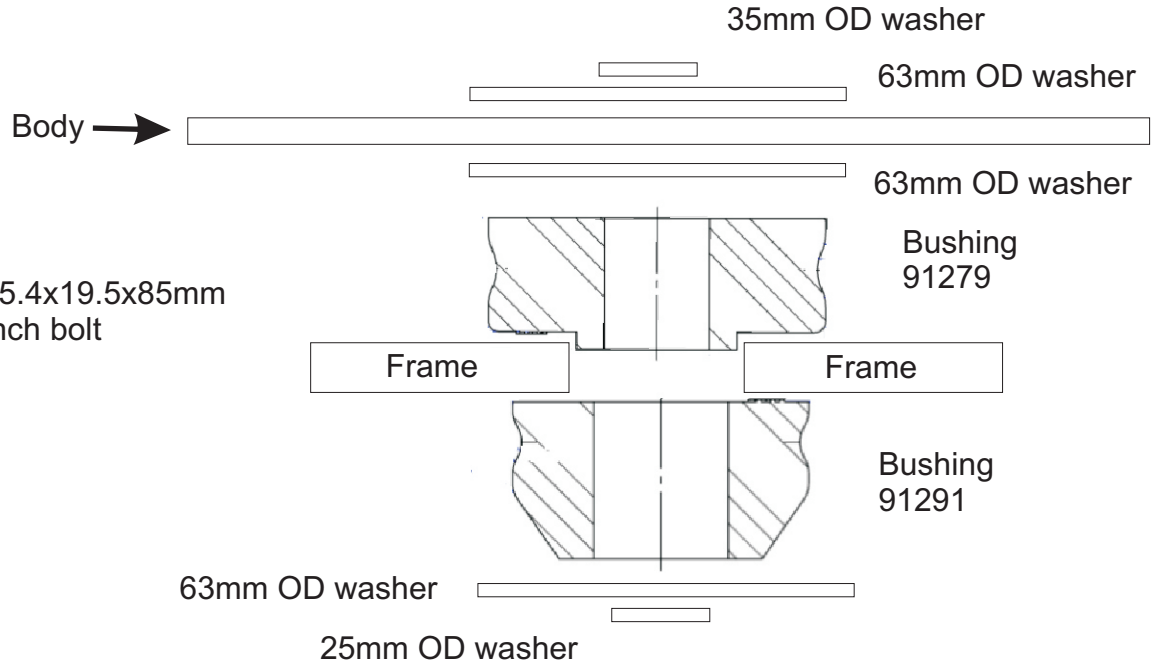
N.B: It is recommended that a licenced workshop or tradesperson carry out the above procedure and that workshop manual and relevant safety procedures are followed in addition to the above.

Instructions

Body Mount Bushings

N.B: This instruction sheet should be used in conjunction with the workshop manual and proper safety procedures followed.

Page 2 of 3



Position #3

- Use steel tube 25.4x19.5x85mm
- Use 7/16 x 6.5 inch bolt
- Use 7/16 nut



N.B: It is recommended that a licenced workshop or tradesperson carry out the above procedure and that workshop manual and relevant safety procedures are followed in addition to the above.