

Instructions

Torque Arm - Inserts

N.B: This instruction sheet should be used in conjunction with the workshop manual and proper safety procedures followed.

- Raise vehicle evenly and safely support.

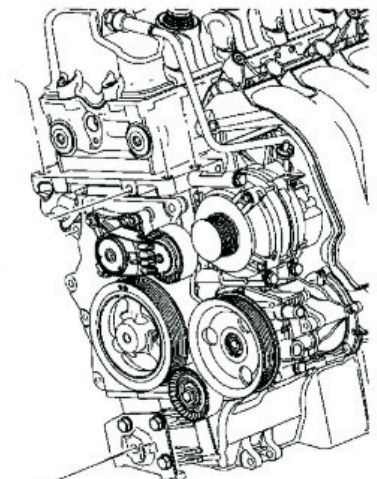
Never rely on a Jack only

- Remove RH front wheel and proceed to un-bolt Torque Arm.

Application - PT Cruiser
- 2001-2010

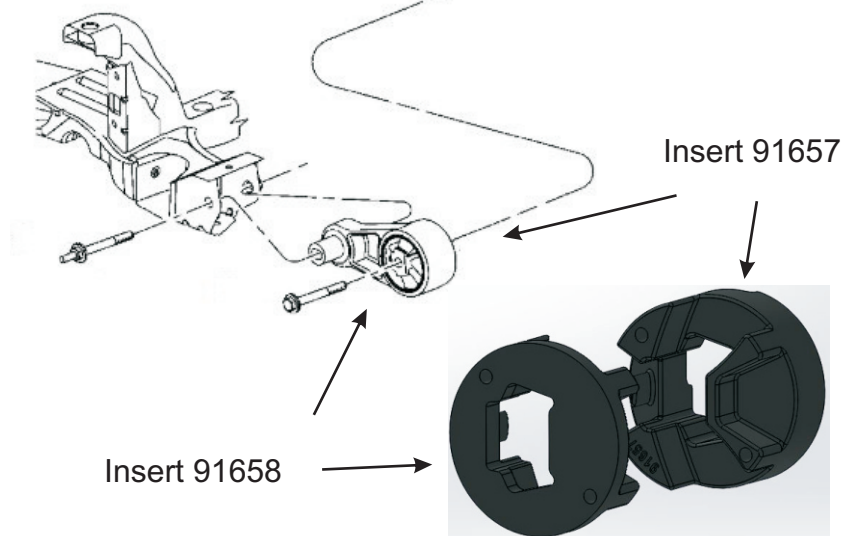
Always refer complete catalogue listing

Contents - Bushing 91657 x1
- Bushing 91658 x1
- Steel washers x4



- Push in supplied inserts as per RH image.

- Re-fit arm to vehicle.



N.B: It is recommended that a licenced workshop or tradesperson carry out the above procedure and that workshop manual and relevant safety procedures are followed in addition to the above.