

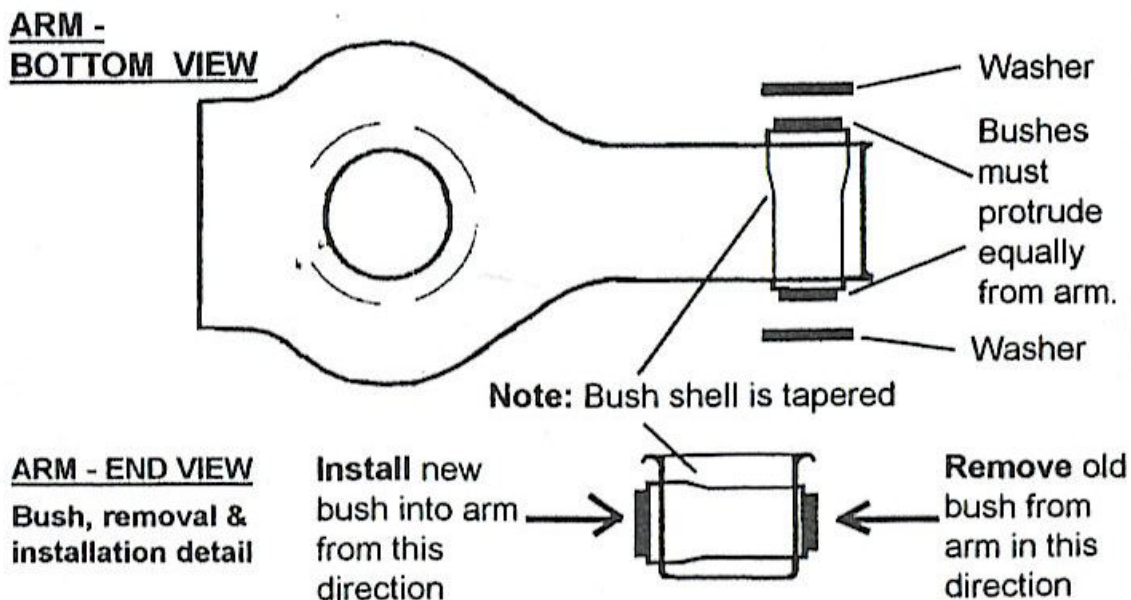
LOWER TRAILING ARM – FRONT

1. Support vehicle and differential, and remove lower trailing arms
2. Press old bushing from the trailing arm and inspect arm for any sign of wear, distortion or cracking. If arm is damaged, replace it.
3. Press new bushes into the trailing arm, taking care to support the arm around the eyes to prevent the arm from distorting.
4. Once installed , bushes should protrude equally from each side of the arm (refer diagram).

WARNING: Commodore trailing arms suffer from stretching of the eyelets, if;

- (a) A spacer is not used at installation. When replacing this bush, take care and fit a suitable spacer to prevent arm blades from collapsing.
- (b) The bush is pressed through the eye in the wrong direction (note the shell of the bush is tapered).

5. Lubricate end faces of bushes with grease provided before installing arms on vehicle, taking note to washers supplied.
6. Reassemble suspension as recommended in the workshop manual.



This procedure must be carried out by a qualified person