

# Instructions

## Body Mount Bushings

**N.B:** This instruction sheet should be used in conjunction with the workshop manual and proper safety procedures followed.

### Install Guide

Rusty bolts may require lubricant prior to loosening.

Loosen all bolts but only remove/service one side at a time.

Only lift body enough to remove old bushings.  
Use a jack with timber to ensure no damage to body.

Be mindful of fan shrouds and brake lines.

Re-use any existing shims.

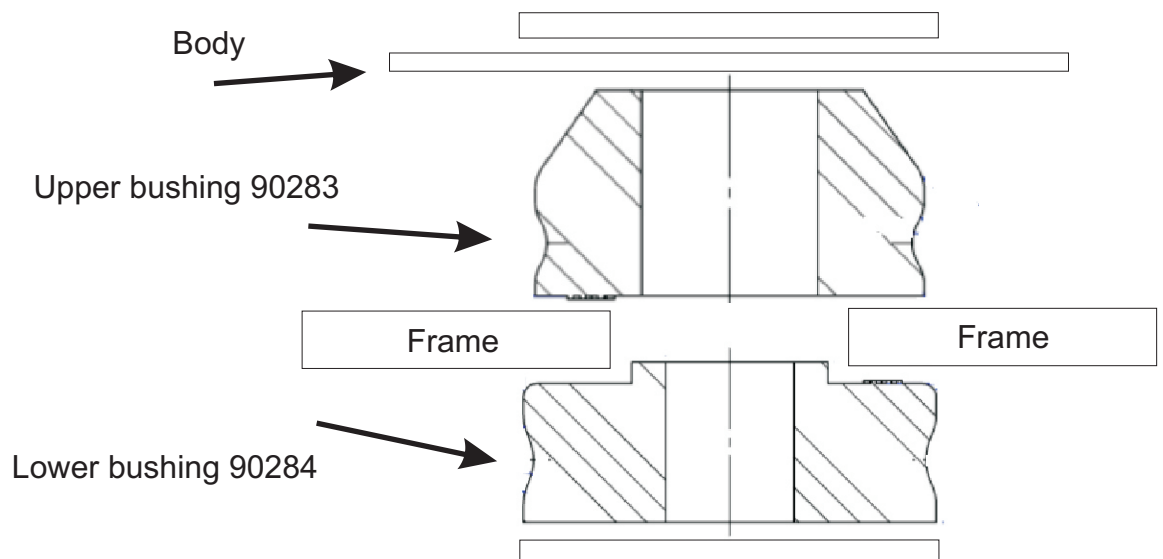
**Note - remove headlight for best access to front mount.**

Original bolts, nuts and washers to be re-used.

Tighten bolts to manufacturers spec - re-check after initial 500kms after settle period.

**Application** - Chev Trucks  
- 1981-1987  
(Refer current catalogue listing)

**Contents** - Bushing 90283 x 6  
Bushings 90284 x 6



**N.B:** It is recommended that a licenced workshop or tradesperson carry out the above procedure and that workshop manual and relevant safety procedures are followed in addition to the above.