

Instructions

Body Mount Bushings

N.B: This instruction sheet should be used in conjunction with the workshop manual and proper safety procedures followed.

Page 1 of 3

Application - Toyota FJ-40
Landcruiser

Install Guide

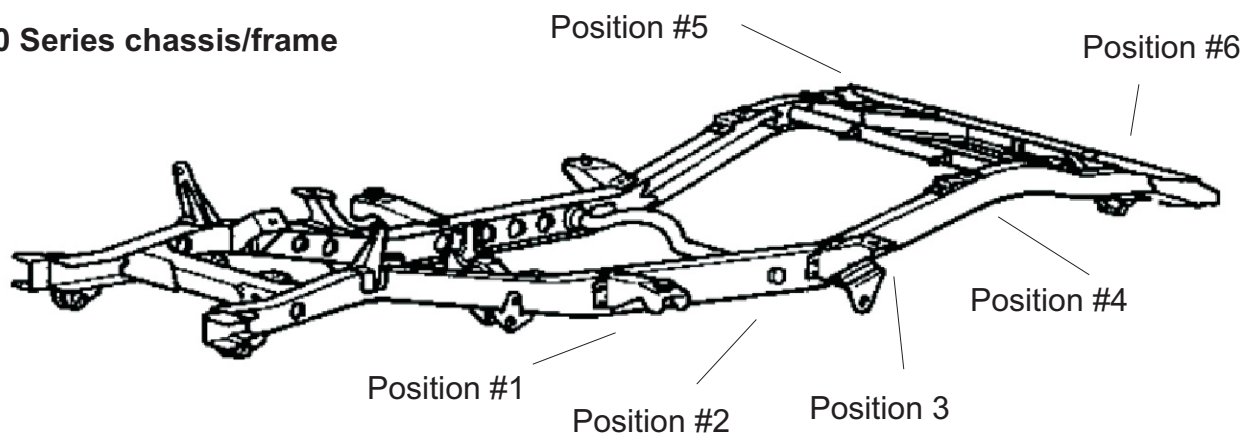
- Loosen all bolts on both sides of vehicle initially.

**Be careful of fan shroud and other components while lifting.
A hydraulic jack and timber may be used to lift the body.**

- Proceed by replacing mounts from 1 side of vehicle at a time - refer diagrams on next page
- Replace 1 mount at a time, but do not tighten bolts yet - note any shims and re-use.
- Once all mounts are replaced, confirm body is straight/aligned - tighten all nuts to Manufacturers specifications.
- It is recommended all hardware is re-checked after 500kms travelled.

Contents - 10x 3/8 x 1 3/4 bolts
- 2x 3/8 x 2 1/4 bolts
- 2x 7/16 bolts
- 4x plastic bolts
- 2x 7/16 spring washers
- 2x 7/16 flat washers
- 12x 3/8 washers
- 2x bushing 91270
- 12x bushing 91271
- 2x bushing 91272
- 2x bushing 91273
- 10x bushing 91274
- 2x threaded plate
- 12x plate with nut

40 Series chassis/frame



N.B: It is recommended that a licenced workshop or tradesperson carry out the above procedure and that workshop manual and relevant safety procedures are followed in addition to the above.

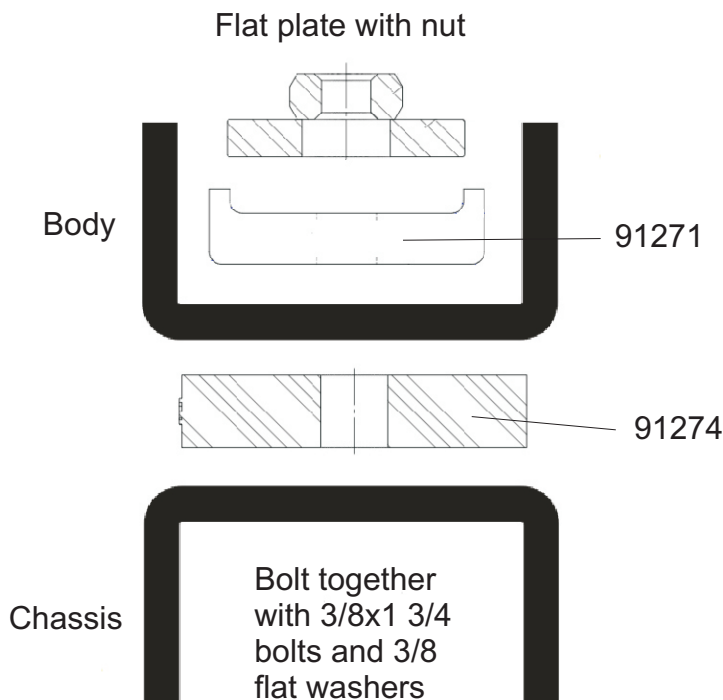
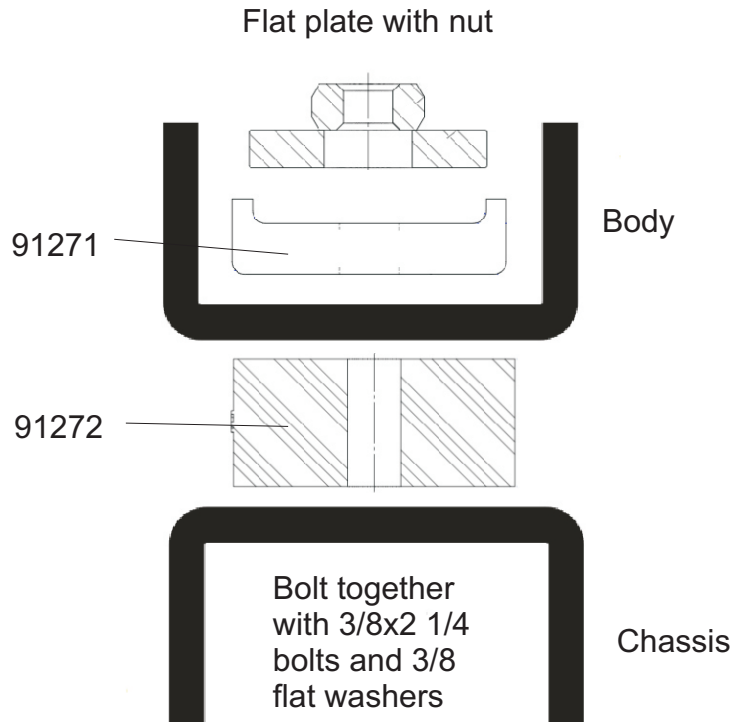
Instructions

Body Mount Bushings

N.B: This instruction sheet should be used in conjunction with the workshop manual and proper safety procedures followed.

Page 2 of 3

Position #1



Position #2/3/5/6

N.B: It is recommended that a licenced workshop or tradesperson carry out the above procedure and that workshop manual and relevant safety procedures are followed in addition to the above.

Instructions

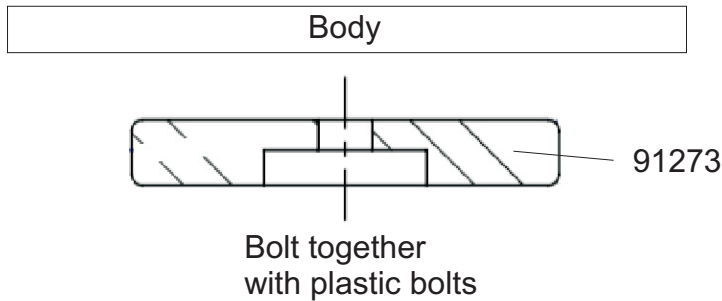
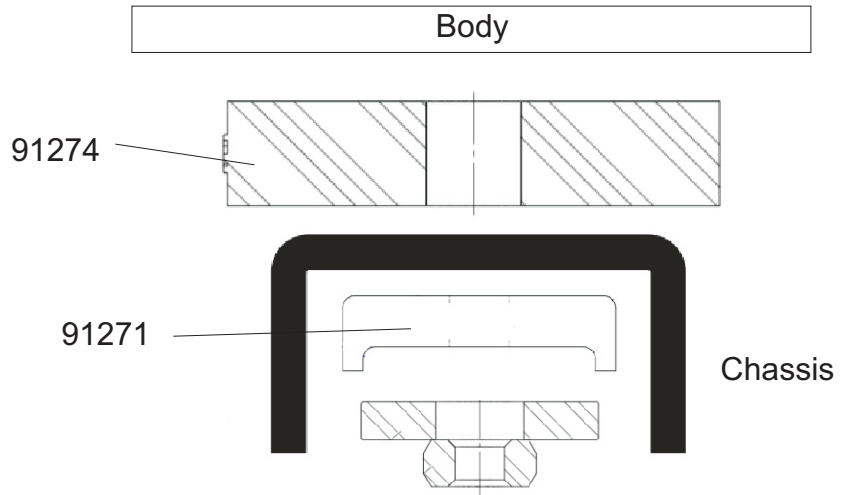
Body Mount Bushings

N.B: This instruction sheet should be used in conjunction with the workshop manual and proper safety procedures followed.

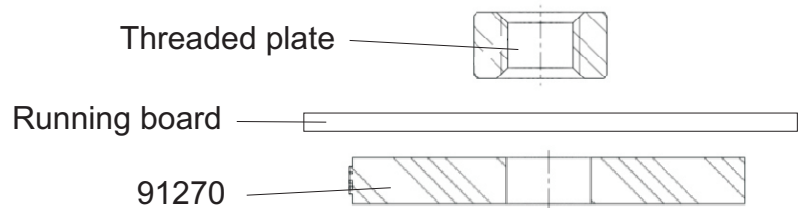
Page 3 of 3

Bolt together with 3/8 x 1 3/4
bolt and 3/8 flat washers

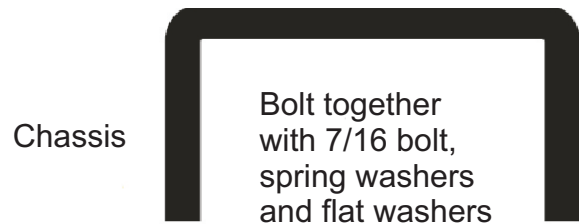
Position #4



Position 4.5



Running Board



N.B: It is recommended that a licenced workshop or tradesperson carry out the above procedure and that workshop manual and relevant safety procedures are followed in addition to the above.