

Front Control Arm Bushings

N.B: This instruction sheet should be used in conjunction with the workshop manual and proper safety procedures followed.

- Raise vehicle evenly and safely support with stands.

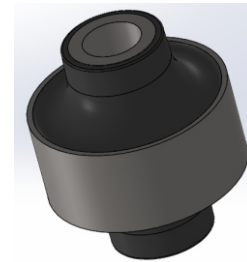
Never rely on a Jack only.

- Proceed to remove front wheels.
- Un-bolt front control arms from vehicle.
If you are not familiar with this type of work, we suggest removing only one arm at a time.
- A Press will be required to remove the vertical bushing. Remove complete bushing including steel outer shell. Press in new vertical bushing centrally in arm
- To remove smaller bushings, drill a holes in rubber, or use a threaded puller.
- Push in new supplied bushings 91965, into clean eye. Grease bushing internal diameter and face with supplied grease only. Now push in supplied steel tubes.
- Re-fit arm to vehicle.
- A wheel alignment will be required after install.

Application - Dodge Neon 2000-05
- PT Cruiser 2001-06

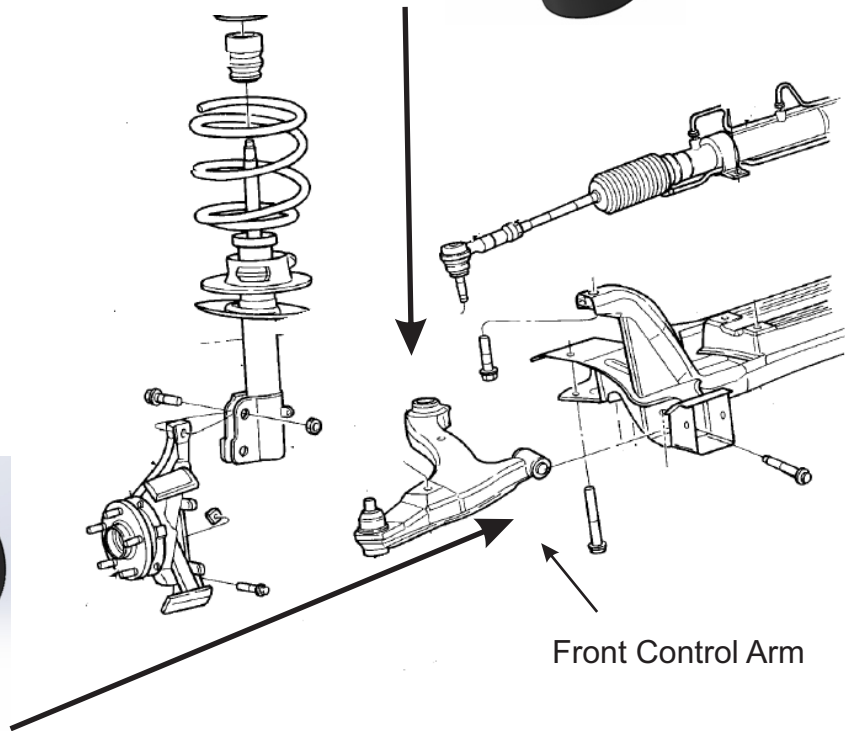
Always refer complete catalogue listing

Contents - Vertical Bushing 82029 x2
- Bushing 91965 x4
- Steel tube 19x14.3x69
- Grease



Vertical bushing

Bushings 91965



Front Control Arm

N.B: It is recommended that a licenced workshop or tradesperson carry out the above procedure and that workshop manual and relevant safety procedures are followed in addition to the above.