

Instructions

Body Mount Bushings

N.B: This instruction sheet should be used in conjunction with the workshop manual and proper safety procedures followed.

Page 1 of 3

Note: Any rusted nuts or bolts will require lubricant prior to disassemble.

Application - Ford Exploder
- Sport Trac 2001-05

(Refer current catalogue for complete listing)

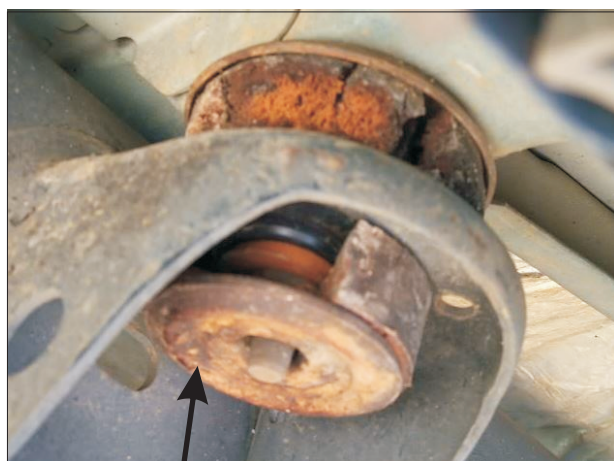
When removing each mount, be sure to note each location on vehicle. Also, any existing shims will need to be re-used in their respective point

Contents - 90304 x2
- 91544 x2
- 91556 x2
- 91931 x2
- 91932 x2
- 91933 x2
- 91935 x2
- 91936 x2
- Steel washers x2

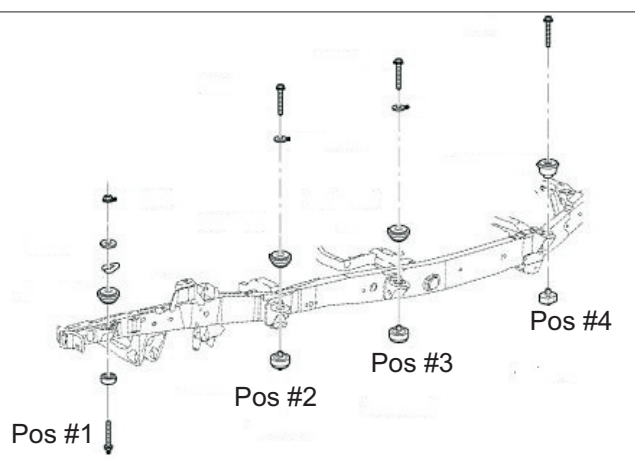
- Loosen all bolts on both sides of vehicle initially.
- For positions 2, and 4 you will have to access the body plugs in the cabin at each point. Position #1 is accessed from under the vehicle.

Be careful of fan shroud and other components while lifting. A hydraulic jack and timber may be used to lift the body.

- Proceed by replacing mounts from 1 side of vehicle at a time.
- Once old mounts are removed, they will need to be dismantled. The steel shells are re-used. Refer image below of old mount.
- Position one (near radiator) uses new supplied steel washer.
- Replace 1 mount at a time, but do not tighten new bolts yet - refer diagram on page 2 and 3 for bushing positioning.
- Once all mounts are replaced, confirm body is straight/aligned - tighten all nuts to Manufacturers specifications.
- It is recommended all hardware is re-checked after 500kms travelled.



Re-use OE steel shells



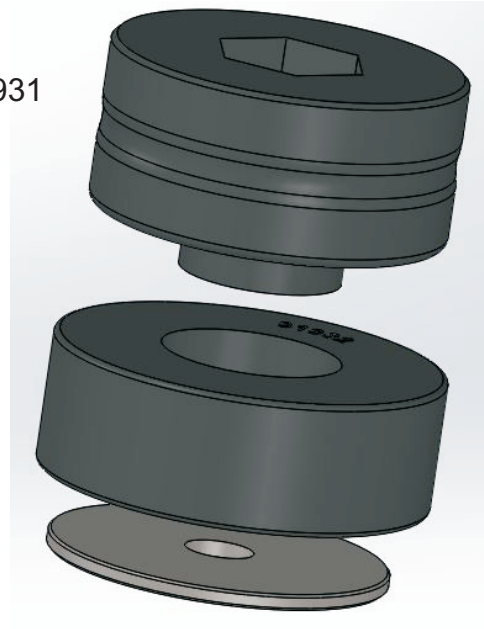
N.B: It is recommended that a licenced workshop or tradesperson carry out the above procedure and that workshop manual and relevant safety procedures are followed in addition to the above.

Instructions Body Mount Bushings

Page 2 of 3

Position #1 - radiator support
Use supplied steel washer

Bushing 91931



Bushing 91392



Bushing 91936

Position #2 - near A-pillar

Bushing 91544

N.B: It is recommended that a licenced workshop or tradesperson carry out the above procedure and that workshop manual and relevant safety procedures are followed in addition to the above.

Instructions

Body Mount Bushings

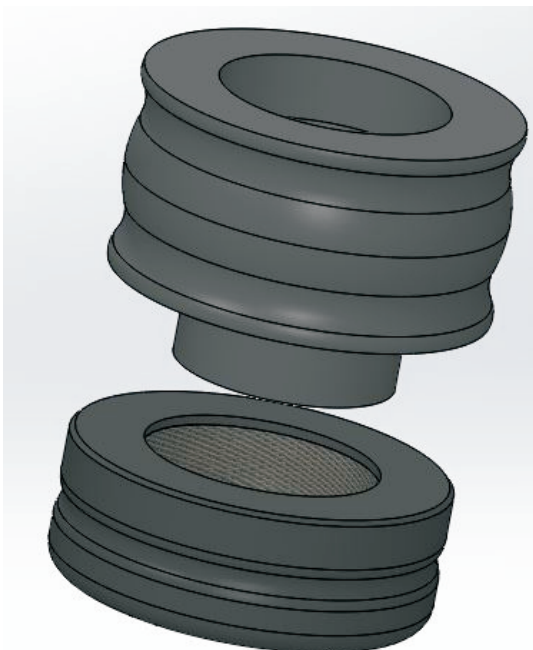
Page 3 of 3

Position #3 - B pillar

Bushing 91935



Bushing 91933



Bushing 90304

Position #4 - C pillar.

Bushing 91556