

# Instructions

## Body Mount Bushings

N.B: This instruction sheet should be used in conjunction with the workshop manual and proper safety procedures followed.

Page 1 of 3

**Application** - Toyota 4 Runner  
- 1996-2002

(Refer current catalogue for complete listing)

**Note: Any rusted nuts or bolts will require lubricant prior to disassemble.**

When removing each mount, be sure to note each location on vehicle. Also, any existing shims will need to be re-used in their respective point

- Loosen all bolts on both sides of vehicle initially.

**Be careful of fan shroud and other components while lifting. A hydraulic jack and timber may be used to lift the body.**

- Proceed by replacing mounts from 1 side of vehicle at a time.

- Replace 1 mount at a time, but do not tighten bolts yet - note diagram on page 2 for bushing position.

- Once all mounts are replaced, confirm body is straight/aligned - tighten all nuts to Manufacturers specifications.

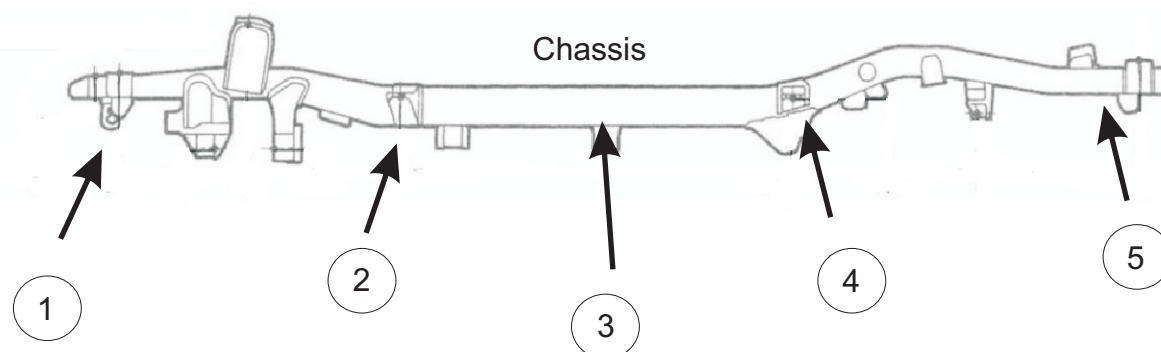
- It is recommended all hardware is re-checked after 500kms travelled.

**Contents** - Bushing 91361 x2  
- Bushing 91362 x2  
- Bushing 91364 x2  
- Bushing 91365 x2  
- Bushing 91366 x2  
- Bushing 91367 x2  
- Bushing 91376 x2  
- Bushing 91377 x2  
- Bushing 91378 x2  
- Bushing 91379 x2

- Washer 20mm OD x18  
- Washer 45mm OD x2  
- Washer 50mm OD x6  
- Washer 63mm OD x12

- Steel tube 57mm L x4  
- Steel tube 53mm L x2  
- Steel tube 78mm L x2  
- Steel tube 81mm L x2  
- Steel plate x4

Note mount positions - refer page 2 and 3



N.B: It is recommended that a licenced workshop or tradesperson carry out the above procedure and that workshop manual and relevant safety procedures are followed in addition to the above.

# Instructions Body Mount Bushings

Continued - Page 2 of 3

## Position #1

Use steel tube 53mm long

Washer 50mm OD

Bushing 91366

Washer 20mm OD

Washer 20mm OD

Bushing 91367

Washer 63mm OD

Bushing 91361 - pos #2  
Bushing 91364 - pos #5

Washer 45mm OD

Washer 20mm OD

Steel plate

## Position #2 and #5

Use steel tube 57mm long

Bushing 91362 - pos #2  
Bushing 91365 - pos #2

Washer 63mm OD

Washer 20mm OD

# Instructions Body Mount Bushings

Continued - Page 3 of 3

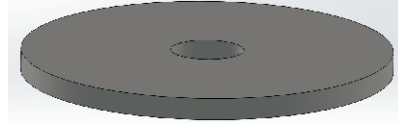
### **Position #3**

Use steel tube 81mm long

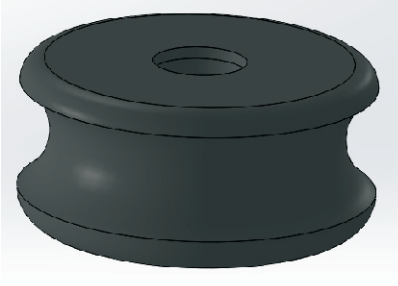


Washer 20mm OD

Washer 63mm OD



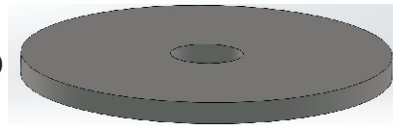
Bushing 91378



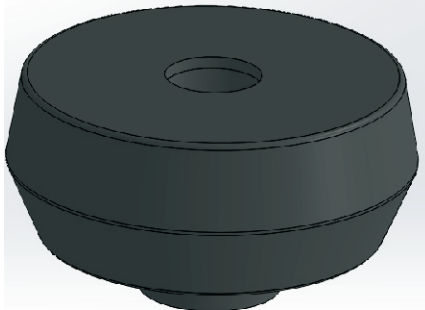
Bushing 91379



Washer 50mm OD



Bushing 91377



Washer 20mm OD

Bushing 91376



Washer 50mm OD



### **Position #4**

Use steel tube 78mm long

Washer 20mm OD

