

# Instructions

## Rear Bump-Stops

**N.B:** This instruction sheet should be used in conjunction with the workshop manual and proper safety procedures followed.

### Install Guide

- Raise vehicle evenly and safely support.

*Never rely on a Jack only*

- Un-bolt and remove old bump-stop.
- Clean mounting surface well.
- Using supplied hardware, bolt up new bump-stops.

**Note - place supplied washer on back of bump-stop - between vehicle and bump-stop.**

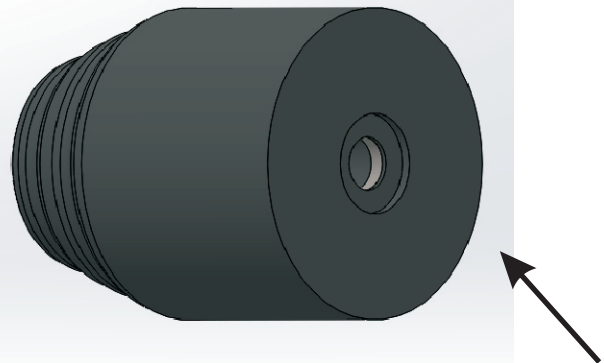
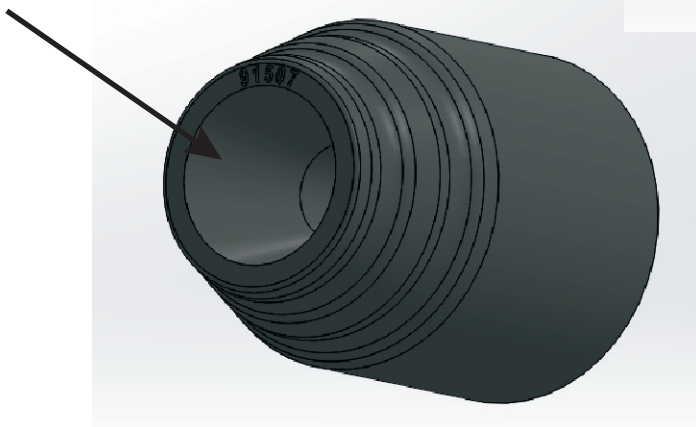
- Torque bolt to 23 ft-lbs

**Application** - Ford Excursion 4WD  
- 2000-04

*Always refer complete catalogue listing*

**Contents** - Bump-stop 91507 x2  
- 3/8 bolt x 2  
- 3/8 nut x4  
- Washer x2

**Push supplied bolt and washer through front**



**Place supplied washer here**

**N.B:** It is recommended that a licenced workshop or tradesperson carry out the above procedure and that workshop manual and relevant safety procedures are followed in addition to the above.