

Instructions

Body Mount Bushings

N.B: This instruction sheet should be used in conjunction with the workshop manual and proper safety procedures followed.

Page 1 of 3

Application - Chev K5 Blazer
- 4WD

(Refer current catalogue for complete listing)

Note: Any rusted nuts or bolts will require lubricant prior to disassemble.

When removing each mount, be sure to note each location on vehicle. Also, any existing shims will need to be re-used in their respective point

- Loosen all bolts on both sides of vehicle initially.

Be careful of fan shroud and other components while lifting. A hydraulic jack and timber may be used to lift the body.

- Proceed by replacing mounts from 1 side of vehicle at a time.
Note - new bolts are supplied.

- Replace 1 mount at a time, but do not tighten new bolts yet - note image below and diagram on page 2 and 3 for bushing position.

- Once all mounts are replaced, confirm body is straight/aligned - tighten all nuts to Manufacturers specifications.

- It is recommended all hardware is re-checked after 500kms travelled.

Contents - Bushing 90287 x6
- Bushing 90288 x4
- Bushing 91564 x6
- Bushing 91565 x2
- Bushing 91731 x2

- Steel tube 25.4x20.2x48.5 x2
- Steel tube 25.4x16.2x42.5 x2

- Steel washer 63x13x3 x8
- Steel washer 50x13x3 x4
- Steel washer 76x14x3 x2
- Nyloc nut x4



Position #1

Position #2

Position #3

Position #4

Position #5

N.B: It is recommended that a licenced workshop or tradesperson carry out the above procedure and that workshop manual and relevant safety procedures are followed in addition to the above.

Instructions Body Mount Bushings

Continued - page 2 of 3

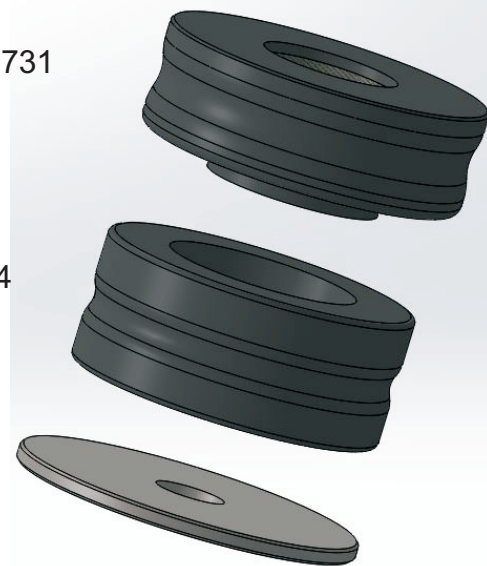
Position #1

Re-use upper
original washer/tube

Bushing 91731

Bushing 91564

Washer 63x13x3



Position #2 and #3

Re-use upper
original washer/tube

Bushing 90287

bushing 90288

Washer 50x13x3



N.B: It is recommended that a licenced workshop or tradesperson carry out the above procedure and that workshop manual and relevant safety procedures are followed in addition to the above.

Instructions

Body Mount Bushings

Continued - page 3 of 3

Position #4



N.B: It is recommended that a licenced workshop or tradesperson carry out the above procedure and that workshop manual and relevant safety procedures are followed in addition to the above.