

Instructions

Steering Rack Mount - Bushings

N.B: This instruction sheet should be used in conjunction with the workshop manual and proper safety procedures followed.

Install Guide

- Raise vehicle evenly and safely support.

Never rely on a Jack only

- Un-bolt Rack mounting bolts and clamp.
- The original bushings are rubber only. You should be able to remove while Rack is in car.

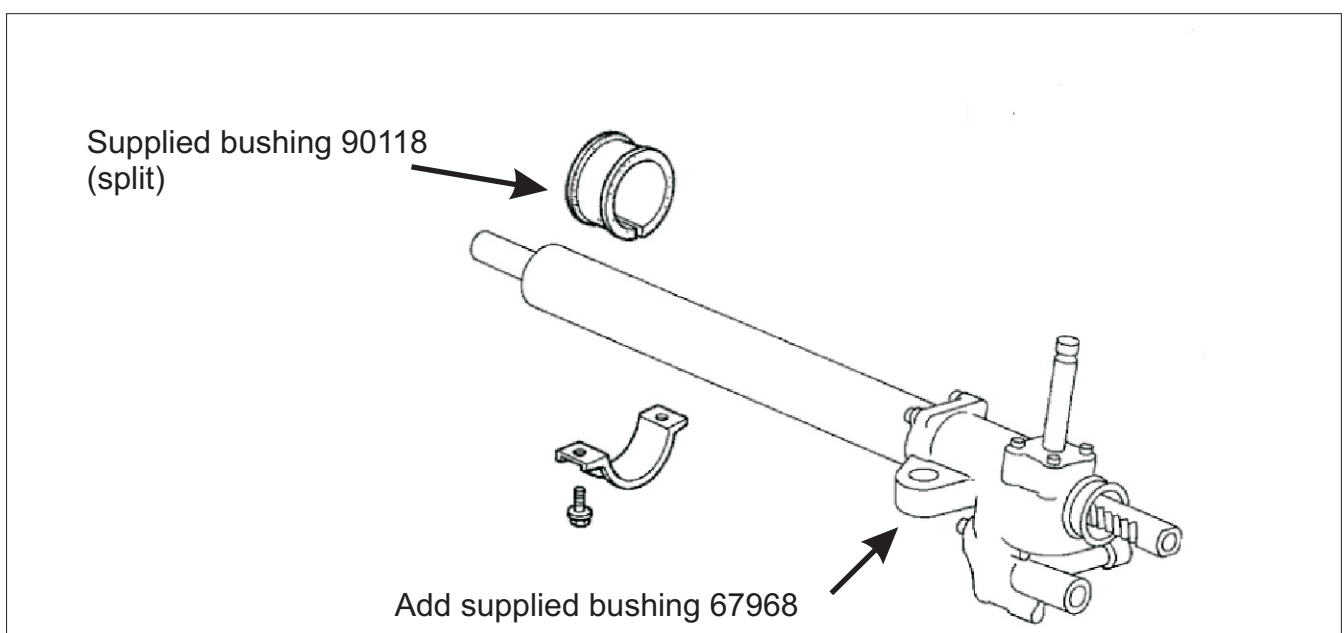
Alternatively, use Workshop manual to remove Steering Rack.

- Clean Rack from any oil, dirt or grease.
- Add new supplied bushings to Steering Rack. Re-fit Rack to vehicle using original bolts.
- A wheel alignment after install will be required.

Application - Honda/Acura Integra
- 1990-1993

Always refer complete catalogue listing

Contents - Bushing 90118 x1
- Bushing 67968 x4



N.B: It is recommended that a licenced workshop or tradesperson carry out the above procedure and that workshop manual and relevant safety procedures are followed in addition to the above.