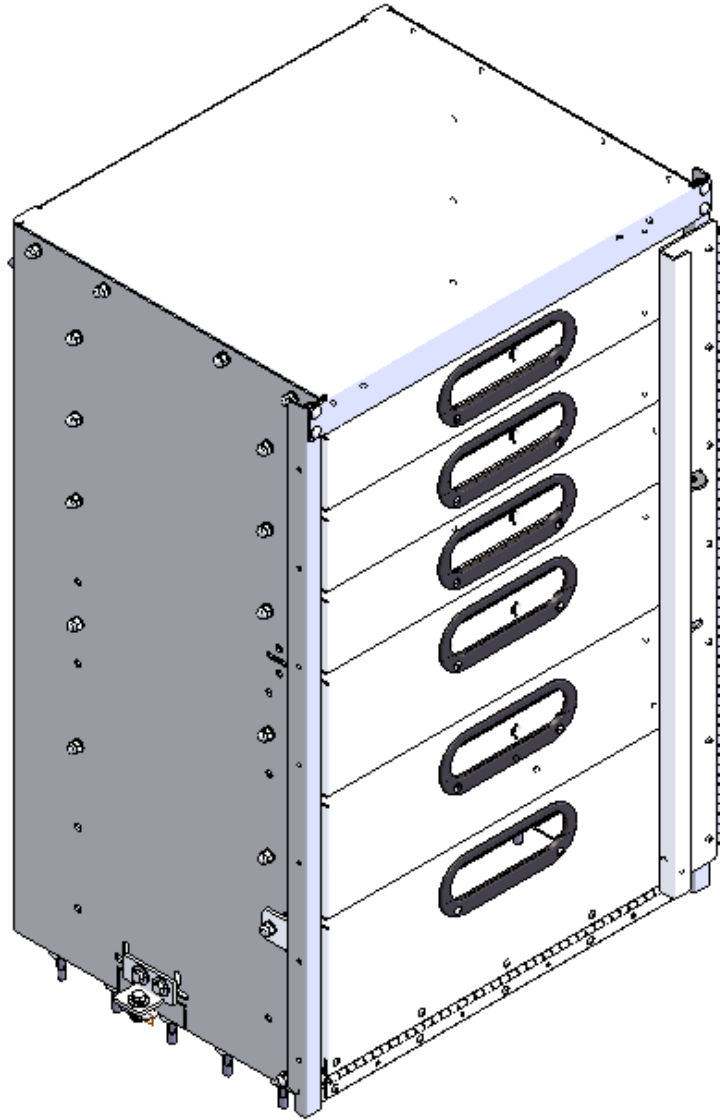


INSTALLATION GUIDE



5060-5 Drawer Cabinet

5 Drawers (Aluminum)



Scan the QR for the latest Install-Guide.



Warnings

READ, UNDERSTAND, AND FOLLOW ALL WARNINGS AND INSTRUCTIONS BEFORE USING THIS PRODUCT. FAILURE TO FOLLOW THESE DIRECTIONS MAY RESULT IN PROPERTY DAMAGE, SERIOUS BODILY INJURY, AND/OR DEATH. RANGER DESIGN IS NOT RESPONSIBLE FOR ANY PROPERTY DAMAGE, PERSONAL INJURY, OR DEATH THAT OCCURS WHILE USING ANY RANGER DESIGN PRODUCTS. THE FINAL ALTERER AND/OR MODIFIER SHOULD REVIEW THE WARNING SHEET WITH THE CUSTOMER BEFORE THE VEHICLE IS RELEASED TO THE CUSTOMER FOR GENERAL USE. THESE INSTRUCTIONS SHOULD REMAIN WITH THE VEHICLE AT ALL TIMES.

WARNINGS – Prior To Starting

- Ranger Design products must be assembled and installed by individuals qualified to use the tools required and have experience with similar products. If there is any question as to competence or experience, please contact a professional alterer or modifier.
- Failure to use Ranger Design-provided fasteners, brackets, and proper installation guidelines could increase risk of serious personal injury and/or death.
- Prior to installation, inspect the vehicle to ensure that installation will not interfere with, or cause obstruction of, any critical components such as electrical wiring, fuel tanks, fuel cells, locks, latches, etc.
- The final alterer and/or modifier is responsible for ensuring all equipment is sufficiently secured to wall and floor structures or suitable anchorages.
- Do not install systems into any weak or unsound materials such as plastics, woods, thin-walled metals, etc., without proper reinforcement.
- Do not install this product where it could interfere with the deployment of airbags. Failure to comply could result in death or serious injury.
- Do not install this product where it could ingress on the Vehicle Occupant Protection Zone. Failure to comply could result in death or serious injury.
- Incorrect installation could cause water leaks, electric shock, or fire.
- Any cargo vehicle with any cargo or equipment should use a certified partition which can be found on the Ranger Design website. (<https://rangerdesign.com>)
- Mounting rails and floors are strongly recommended for any attachment to the vehicle and can be found on the Ranger Design website. (<https://rangerdesign.com>)
- Any modification or unintended use of this product voids any warranty and could create a hazardous condition.
- Ranger Design provides recommended assembly and installation instructions which must be followed to ensure correct operation. Failure to do so could invalidate the product's compliance and/or warranty and cause injury.
- The final stage vehicle alterer and/or modifier is responsible for the integration, installation, and compliance of the product in its final location with all applicable regulations and standards. Failure to maintain compliance of the vehicle with applicable regulations and standards could be punishable by law. Alterers and/or modifiers should consult with all local authorities prior to commissioning.

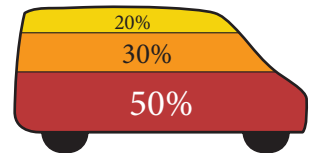
- Any materials, padding, or glazing installed in the vehicle must comply with FMVSS/CMVSS 201/205/302, as applicable.

WARNINGS – Prior To Drilling

- Improper drilling can cause property damage to vehicles and could lead to electric shock, fire, or even death.
- Ensure that drilling is only performed on areas of the vehicle allowed by the vehicle's Original Equipment Manufacturer's Body Builders Layout Book (or equivalent document).
- Ensure that you will not hit any critical parts of the vehicle like the gas tank, wiring harnesses, or hoses. Consult the vehicle's OEM documentation as necessary. When drilling, use a drill collar to reduce the risk of damage to the vehicle.

WARNINGS – Prior To Operating Vehicle

- The heaviest items must be placed towards the bottom of the vehicle, while the lightest ones can be arranged upwards. Vehicle cargo loading weight proportion should follow the guidelines shown here.
- Check your vehicle's tare weight and remaining load capacity with all equipment installed. Never exceed the maximum Gross Vehicle Weight Rating (GVWR), Gross Axle Weight Ratings (GAWRs), or other maximum loads permitted by the vehicle's Original Equipment Manufacturer (OEM) and required by law.
- All items in the cargo area should be properly secured and partition doors closed while the vehicle is in motion.
- All system components should be regularly inspected, cleaned, and maintained pursuant to Ranger Design guidelines.



WARNING – In Event Of An Accident

- In the event of a motor vehicle accident or collision where a Ranger Design system has been installed, especially ones where the vehicle's structure has been damaged and/or the air bags have deployed and/or the vehicle has been towed, the system must be inspected to ensure continued soundness and safety before returning the vehicle to service. Damaged components should be replaced as necessary.

 FR: Si vous avez besoin de ces instructions en français, s'il vous plait contacter notre service à la clientèle. +1-800-565-5321

 ES: Si necesita estas instrucciones en español, comuníquese con el Servicio de atención al cliente de Ranger Design. +1-800-565-5321

QUICK START GUIDE

Phase 1 - Assembly

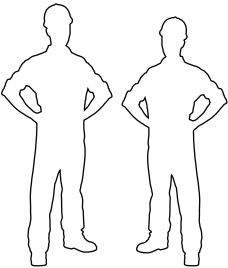
- 1.1 Setup..... 4
- 1.2 Drawer Cabinet Assembly..... 6

Phase 2 - Installation

- 2.1 Drawer Cabinet Installation..... 7

REQUIRED ITEMS

- Cordless Impact
- Cordless Drill
- Tape Measure
- Marker
- 1/2" Socket
- 3/8" Drill Bit
- 7/16" Socket
- 1" Hole Saw
- Knife
- Plus Nut Tool

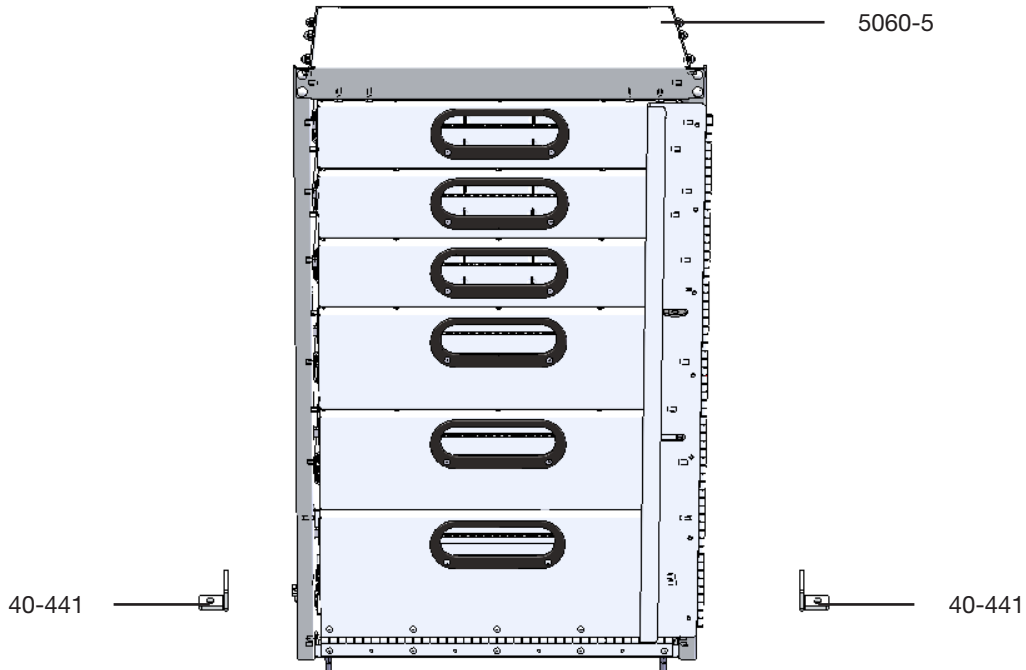


**2
PERSONS**

PHASE 1 – ASSEMBLY

1.1 SETUP

1.1.1 Unpack components; compare with the bill of materials.



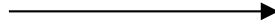
1.1.2 Verify all parts are present.

BILL OF MATERIALS

Item No.	Description	Qty.
40-441	Mounting Track Installation Bracket	2
5060-5	Drawer Cabinet	1
94-8001	Assembly Fastener Kit	1
96-5003	Install Fastener Kit	1

1.1.3 Fastener kits.




94-8001 Fastener Kit



Fastener Assembly

- 4x  # 90-204 Hex Bolt
5/16"-18 x 3/4"
GR-5 ZINC
- 4x  # 94-116 Serrated Nut
5/16"-18
ZINC
- 4x  # 98-116 Flat Washer
5/16" x 18
ZINC

4x (FOR MOUNTING KITS ONLY)

-  #90-204 Hex Bolt 5/16" x 3/4"
-  #98-116 Flat Washer
-  #94-116 Serrated Nut

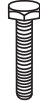




96-5003 Fastener Kit





Fastener Assembly

- 2x  # 90-208 Hex Bolt
5/16"-18 x 1"
GR-5 ZINC
- 2x  # 90-114 Hex Bolt
1/4"-20 x 1"
GR-5 ZINC
- 10x  # 90-130 Hex Bolt
1/4"-20 x 2"
GR-5 ZINC
- 12x  # 94-130 Plusnut .250
- 2x  # 94-150 Channel Nut w/ Spring
5/16"
- 12x  # 98-112 Flat Washer
1/4", O.D 3/4"
ZINC
- 2x  # 98-116 Flat Washer
5/16" - 18
ZINC
- 12x  # 98-118 Lock Washer
Regular 1/4"
ZINC
- 2x  # 98-122 Lock Washer
5/16"
ZINC
- 30x  # 98-157 Spacer
0.375" ID, x 1.0" OD x 0.25" LONG
NYLON





10x

-  #90-130 Hex Bolt 1/4" x 2"
-  #98-118 Lock Washer
-  #98-112 Flat Washer
-  #98-157 Spacers
(QTY = GAP BETWEEN FLOOR AND END PANEL)
-  #94-130 Plus nut

2x

-  #90-114 Hex Bolt 1/4" x 1"
-  #98-118 Lock Washer
-  #98-112 Flat Washer
-  #94-130 Plus nut

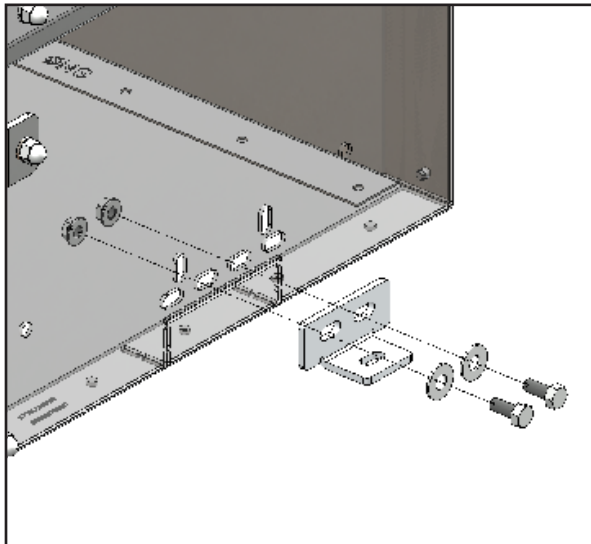
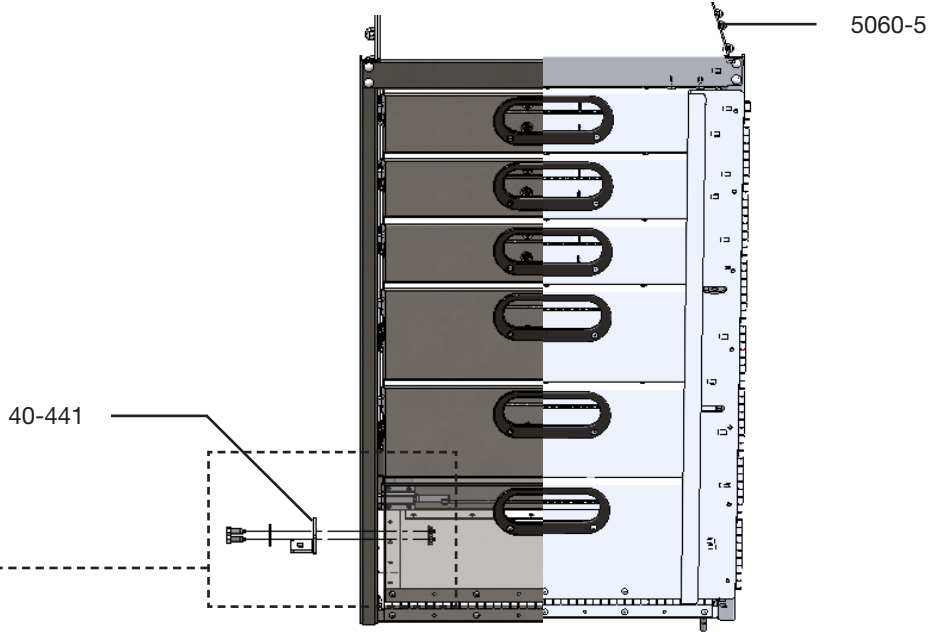
2x (FOR MOUNTING KITS ONLY)

-  #90-208 Hex Bolt 5/16" x 1"
-  #98-122 Lock Washer
-  #98-116 Flat Washer
-  #94-150 Channel Nut

PHASE 1 – ASSEMBLY

1.2 DRAWER CABINET ASSEMBLY

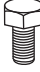


- 1.2.1
- Remove all the PVC from all the parts.
 - If you have mounting kits attach the mounting track installation brackets.
 - Attach bracket on both sides.



NOTE: Don't do this step if you don't have mounting kits or mounting track.

HARDWARE USED

4x HAND-TIGHTEN THE BOLTS

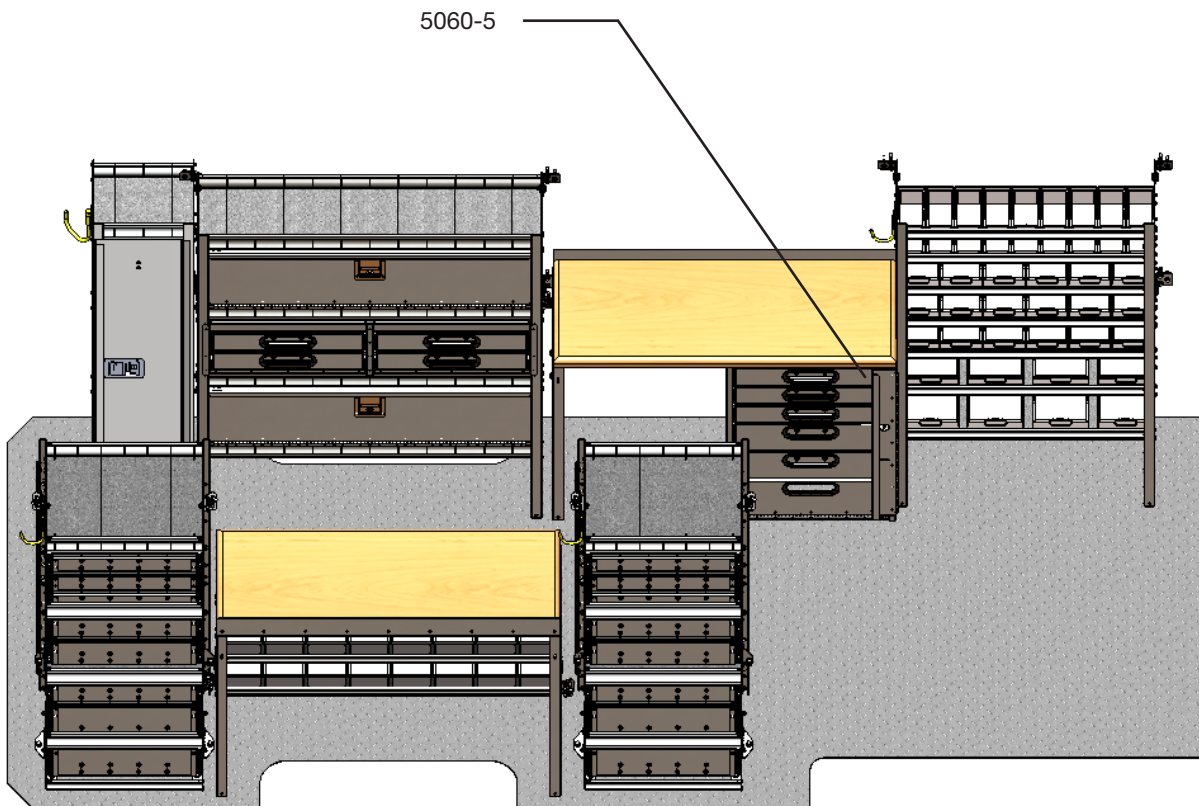
- | | |
|---|-------------------------------|
|  | #90-204 Hex Bolt 5/16" x 3/4" |
|  | #98-116 Flat Washer |
|  | #94-116 Serrated Nut |

PHASE 2 – INSTALLATION

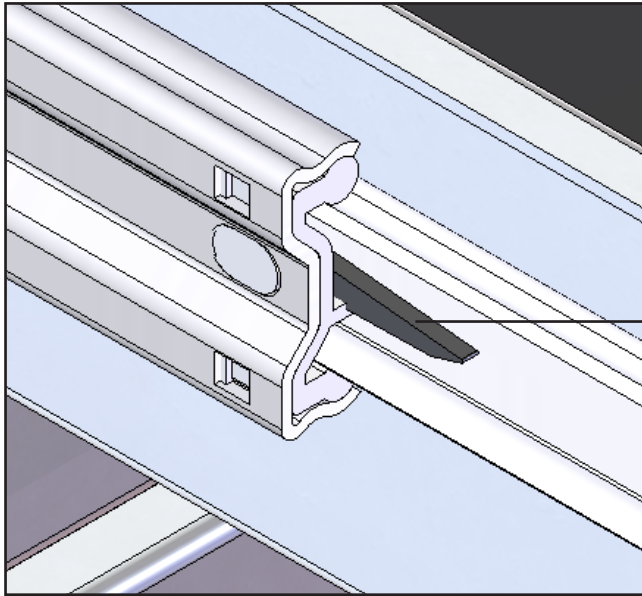
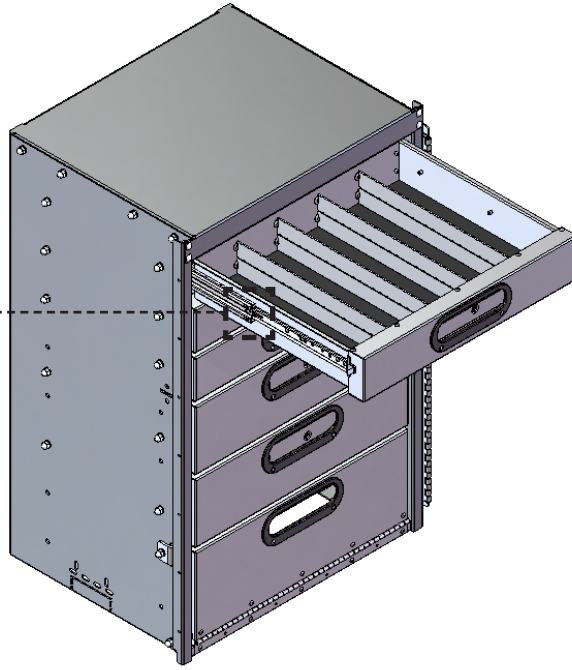
2.1 DRAWER CABINET INSTALLATION

2.1.1 Sample vehicle package picture with 5060-5 drawer cabinet.

G717



2.1.2 Remove all the drawers by pushing down or pulling up the black pin on the sliders.

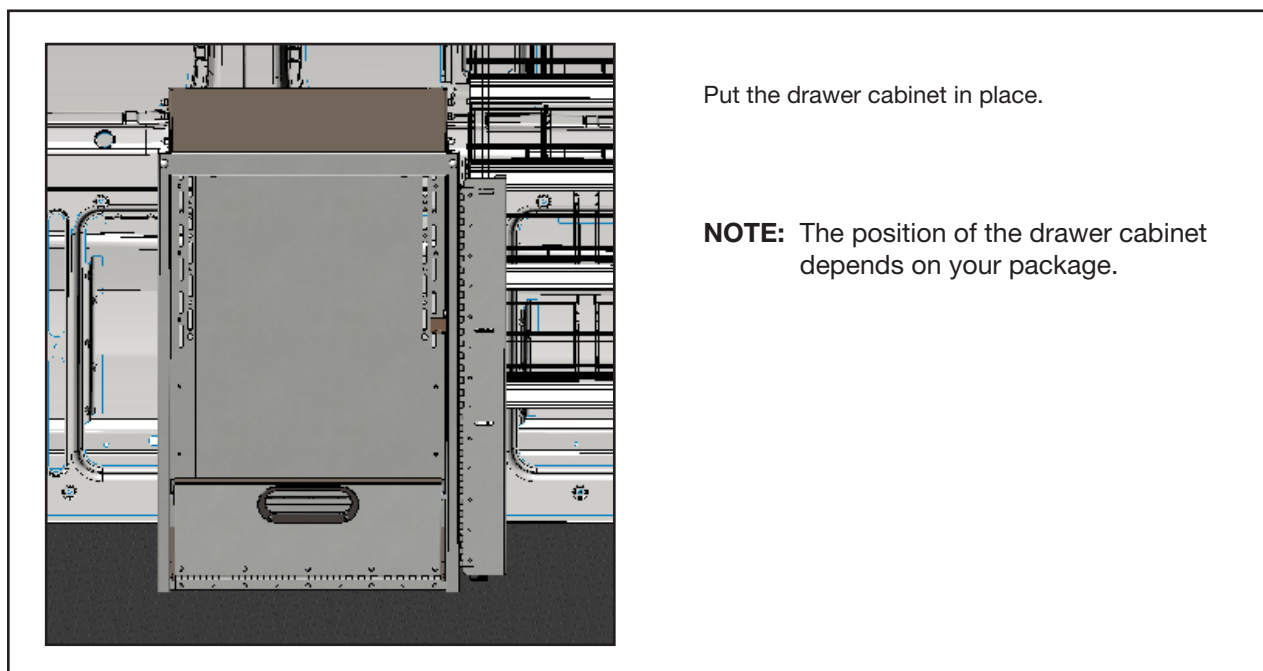
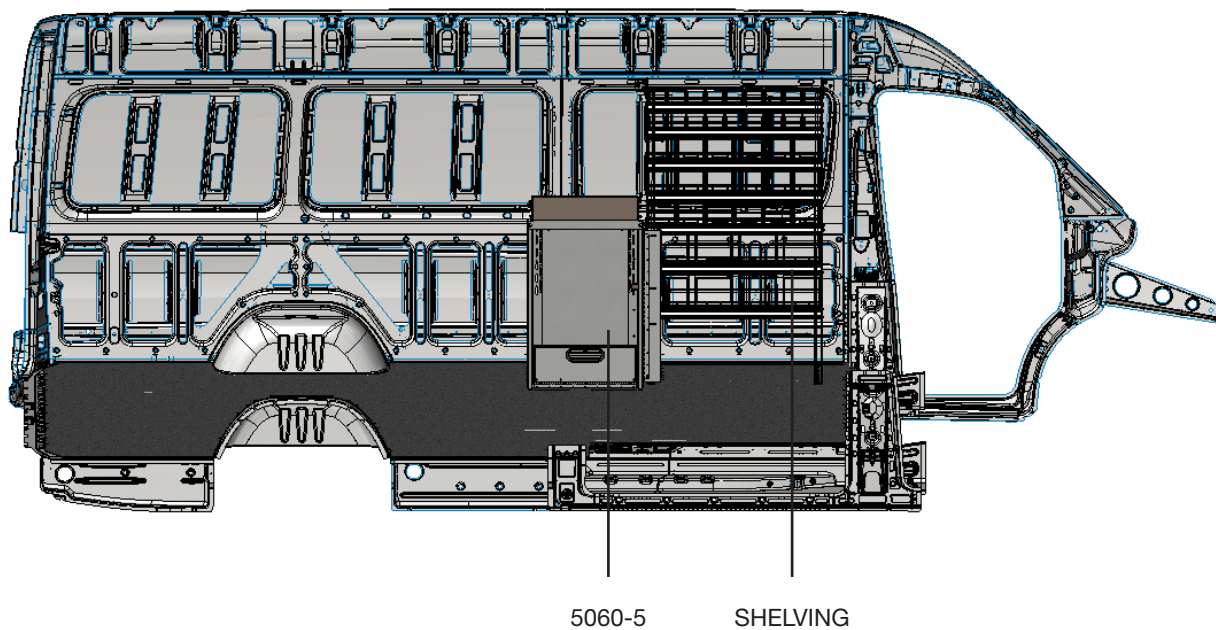


Remove the 5 drawers.

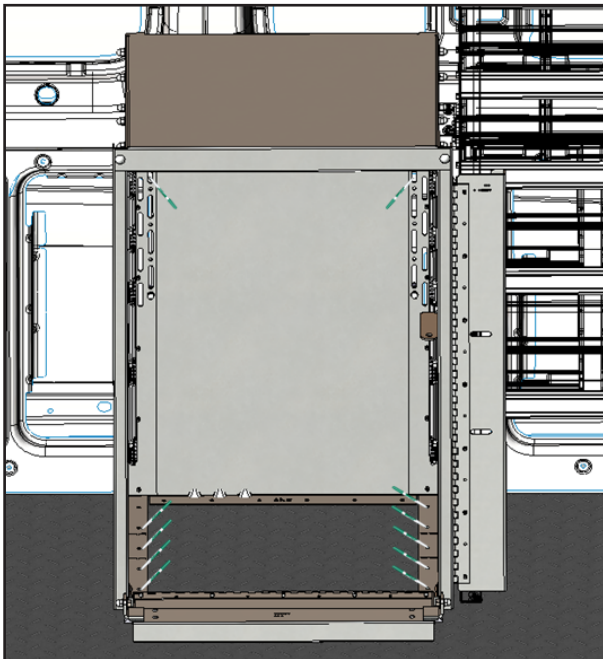
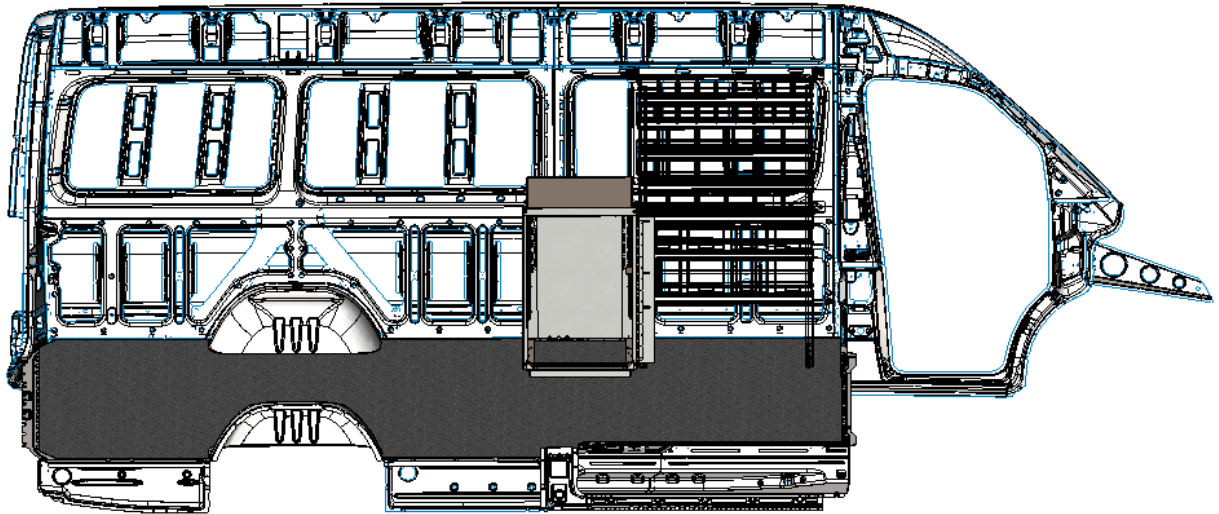
Left Slider - Pull up to remove
Right Slider - Push down to remove

2.1.3 Lift the drawer cabinet inside the van, then put it in place.

NOTE: Always start install from front of the vehicle to rear.



2.1.4 Mark the ten bottom holes on the vehicle floor and the two back holes on the horizontal rim.



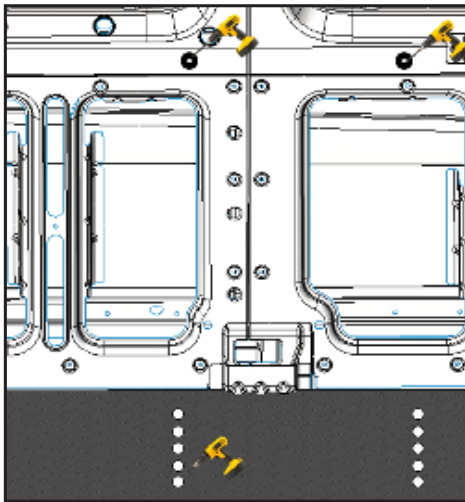
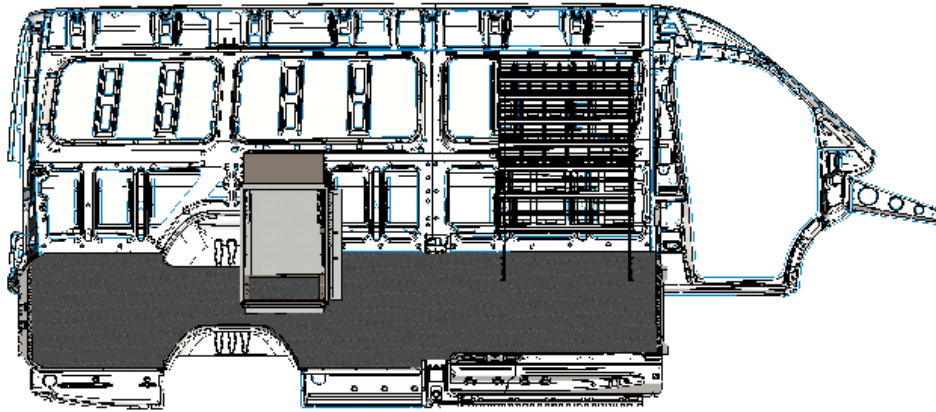
TOOLS

- Marker

NOTE: Mark the two holes on the rear panel that line up with the horizontal rail of the vehicle, and if you don't have a mounting kit with a floor track, mark the ten bottom holes on the floor.

- 2.1.5** • Lift the drawer cabinet on the side.
 • Drill all the marks using 3/8" drill bit, then attach plus nuts to the holes.

NOTE: Before drilling, ensure that you will not hit any critical parts of the vehicle like the **Gas tank, Wiring Harness and Hose.**

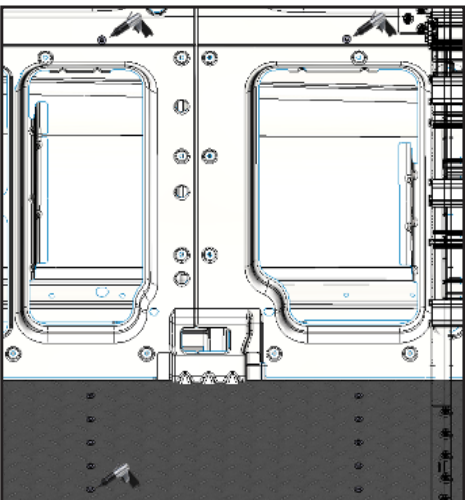


Drill all the marks using 3/8" drill bit.

NOTE: If the vehicle has wood or rubber floor, drill the floor using 1" hole saw, then drill the vehicle floor using 3/8" drill bit.

TOOLS

- Cordless Drill
- 3/8" Drill Bit
- 1" Hole Saw



Attach plus nuts to the holes.

TOOLS

- Plus Nut Tool

HARDWARE USED

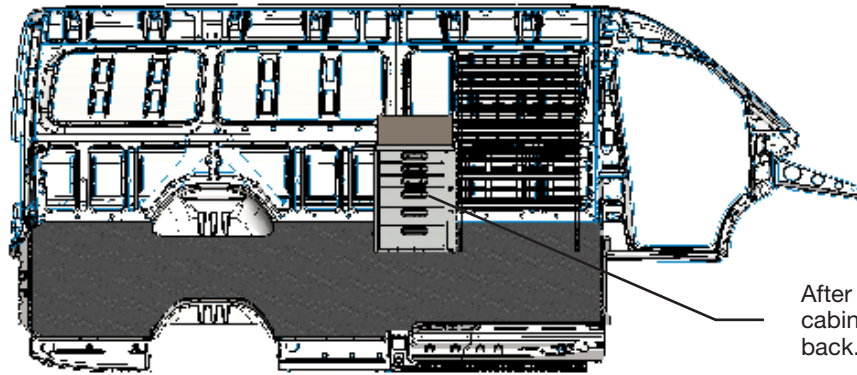
12x



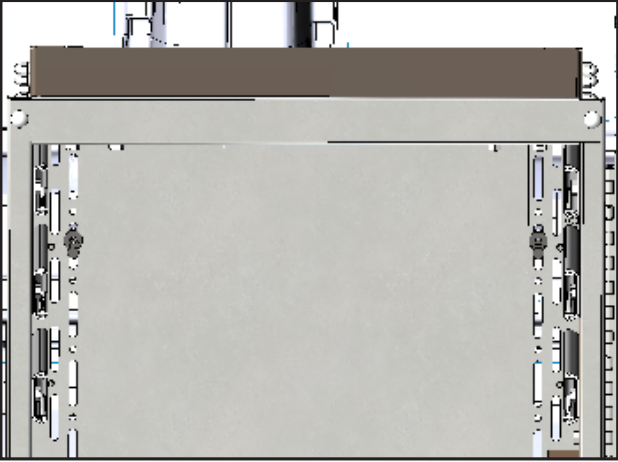
#94-130 Plus Nut .250

2.1.6 Install the drawer cabinet to the van, then slide the drawers back to the drawers cabinet.

NOTE: After installing the locker make sure that all bolts are tightened.



After installing the drawer cabinet, slide the drawers back.




TOOLS


- Cordless Impact
- 7/16" Socket

HARDWARE USED


2x




#90-114 Hex Bolt 1/4" x 1"



#98-118 Lock Washer

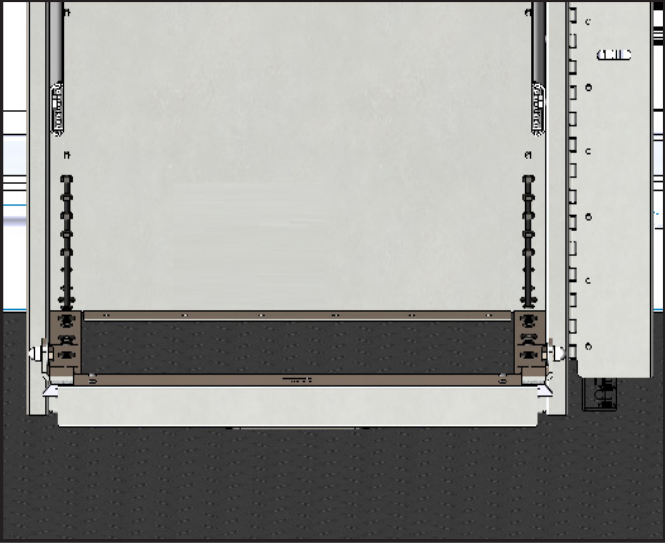


#98-112 Flat Washer



#94-130 Plusnut (Already Installed)

NOTE: The number of spacers depends on the gap between the floor and end panel.

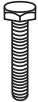


TOOLS


- Cordless Impact
- 7/16" Socket

HARDWARE USED


10x




#90-130 Hex Bolt 1/4" x 2"




#98-118 Lock Washer



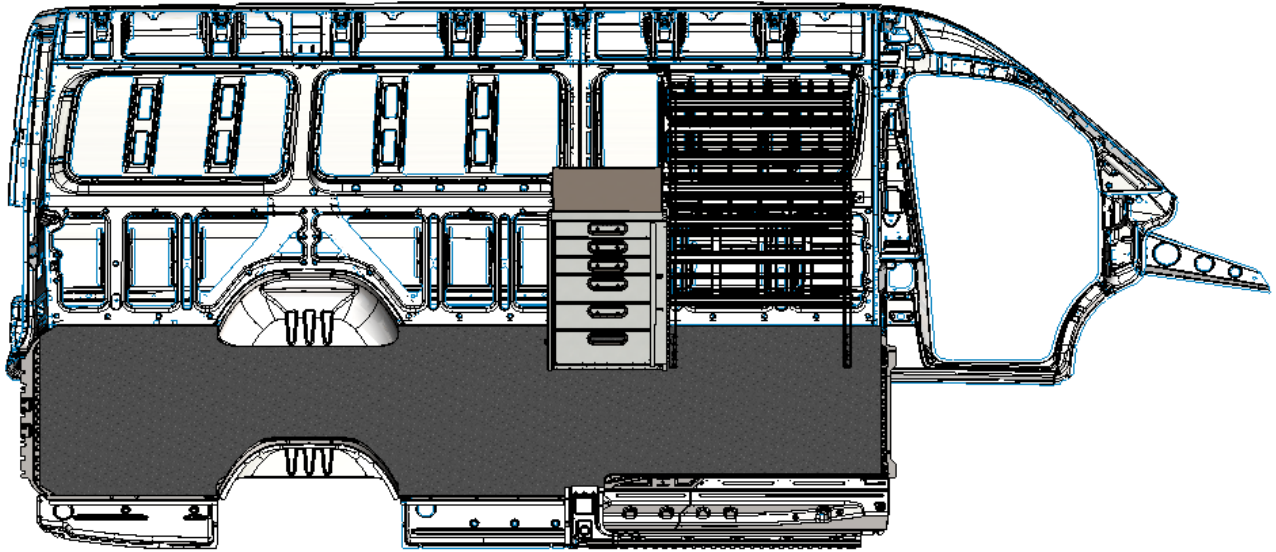
#98-112 Flat Washer



#98-157 Spacers _____



#94-130 Plusnut (Already Installed)



**“You have successfully installed your
5060-5 Drawer Cabinet**

Thank you for doing business with us.”

For any feedback or suggestions you may have, please contact: cs@rangerdesign.com

