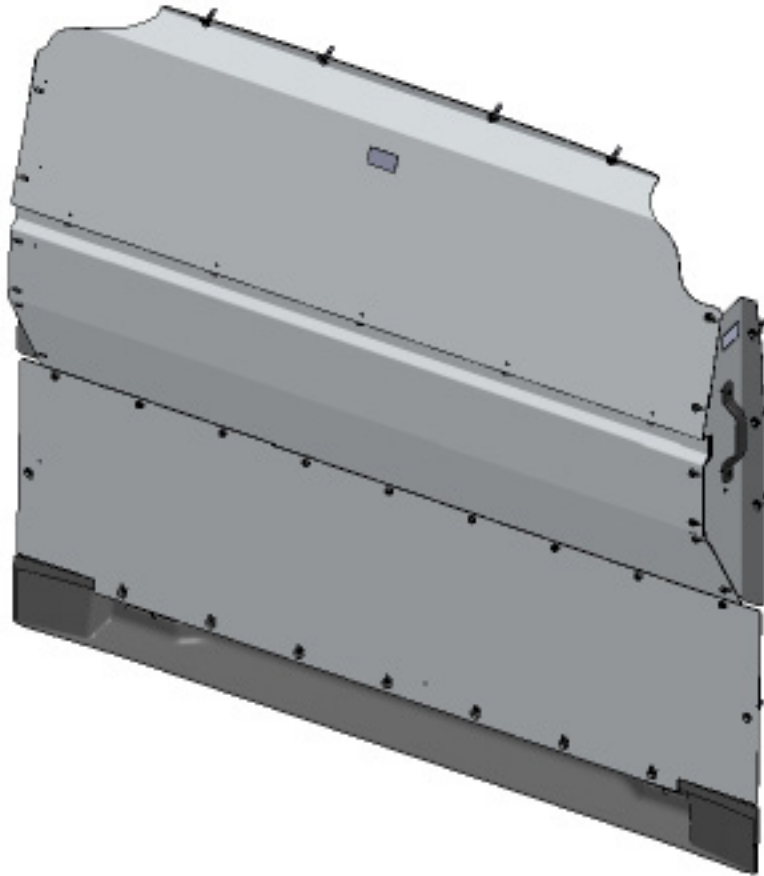
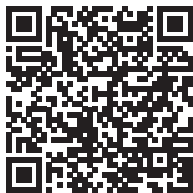


INSTALLATION GUIDE



3010-RP CONTOURED PARTITION

Promaster (Aluminum)



Scan the QR for the latest Install-Guide.





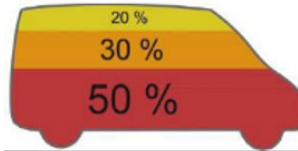
BEFORE YOU BEGIN

READ, UNDERSTAND, AND FOLLOW ALL WARNINGS AND INSTRUCTIONS BEFORE USING THIS PRODUCT. FAILURE TO FOLLOW THESE DIRECTIONS MAY RESULT IN PROPERTY DAMAGE, SERIOUS BODILY INJURY, AND/OR DEATH. RANGER DESIGN IS NOT RESPONSIBLE FOR ANY PROPERTY DAMAGE, PERSONAL INJURY, OR DEATH THAT OCCURRED WHILE USING ANY RANGER DESIGN PRODUCTS.



WARNING

- Failure to use Ranger Design-provided fasteners, brackets, and proper installation guidelines could increase risk of serious personal injury and/or death.
- If drilling is required to complete this installation: improper drilling can cause property damage to vehicles and could lead to electric shock, fire, or even death.
- If drilling is required to complete this installation: Ensure that drilling is only performed on areas of the vehicle allowed by the vehicle's Original Equipment Manufacturer's Body Builders Layout Book (or equivalent document).
- Prior to installation, inspect the vehicle to ensure that installation will not interfere with, or cause obstruction of, any critical components such as electrical wiring, fuel tanks, fuel-cells, locks, latches, etc.
- The installer or manufacturer is responsible for ensuring anchorages are installed onto suitable wall and floor structures; wall and floor strength must meet applicable performance requirements.
- Do not install systems into any weak or unsound materials such as plastics, woods, thin-walled metals, etc. without proper reinforcement.
- Do not install this product where it could interfere with the deployment of airbags. Failure to comply could result in death or serious injury.
- Do not install this product where it could ingress on the Transit Occupant Protection Zone. Failure to comply could result in death or serious injury.
- Incorrect installation could cause water leaks, electric shock or fire.
- Any cargo vehicle with any cargo or equipment should use a certified partition. See Ranger Design website for some partition options. (<https://rangerdesign.com/>)
- Mountings rails are recommended for any attachment to the vehicle walls.
- All items in the cargo area should be properly secured and partition doors closed while the vehicle is in motion.
- Check your vehicle's tare weight and remaining load capacity with all the equipment installed. Never exceed the maximum Gross Vehicle Weight Rating (GVWR), Gross Axle Weight Ratings (GAWRs), or other maximum loads permitted by the vehicle's Original Equipment Manufacturer (OEM) and required by law.
- The heaviest items must be placed towards the bottom of the vehicle, while the lightest ones can be arranged upwards. Vehicle cargo loading weight proportion should follow the following guidelines:



- The final alterer and/ or modifier should review the warning sheet with the customer before the vehicle is released to the customer or for general use. These instructions should remain with the vehicles a all times.
- Any modification or unintended use of this product voids any warranty and could create a hazardous condition.
- Ranger Design provides recommended assembly and installation instructions which should be followed to ensure correct operation. Failure to do so could result in invalidating the product's compliance, warranty and cause injury. Notwithstanding, the final stage vehicle alterer and/or modifier is responsible for the integration, installation, and compliance of the product in its final location to all applicable regulations and standards. Failure to maintain compliance of the vehicle to applicable regulations and standards could be punishable by law. Alterers and/or modifiers should consult with all local authorities prior to commissioning.



CAUTION

- If drilling is required to complete this installation. Before drilling, ensure that you will not hit any critical parts of the vehicle like the gas tank, wiring harness, or hose. Consult the vehicle OEM documentation as necessary. When drilling, use a drill collar to reduce the risk of damage to the vehicle.
- Any materials, padding, or glazing installed in the vehicle must comply with FMVSS/CMVSS 201/205/302, as applicable.
- In the event of a motor vehicle accident or collision where a Ranger system has been installed, especially ones where the vehicle structure is damaged and/or the air bags deploy and/or the vehicle has been towed, the system must be inspected to ensure continued soundness and safety before returning the vehicle to service. Damaged components should be replaced as necessary.
- All system components should be regularly inspected, cleaned, and maintained pursuant to Ranger guidelines.

QUICK START GUIDE

Phase 1 - Assembly

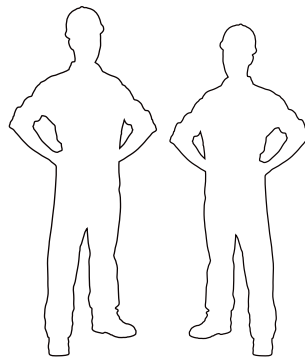
- 1.1 Setup..... 4
- 1.2 Partition assembly..... 7

Phase 2 - Installation

- 2.1 Tips on how to attach a plusnut..... 11
- 2.2 Vehicle preparation..... 11
- 2.3 Contoured partition installation..... <OV>

REQUIRED ITEMS

- Cordless Driver
- Cordless Impact
- Cordless Drill
- Marker
- Plusnut Tool
- Phillips Head Drive Bit
- Tape Measure
- 3/16" Driver Bit
- 7/16" Socket
- 1/2" Socket
- 13mm Socket
- 9/16" Wrench
- 3/8" Drill Bit
- 1" Hole Saw
- Drill Stop

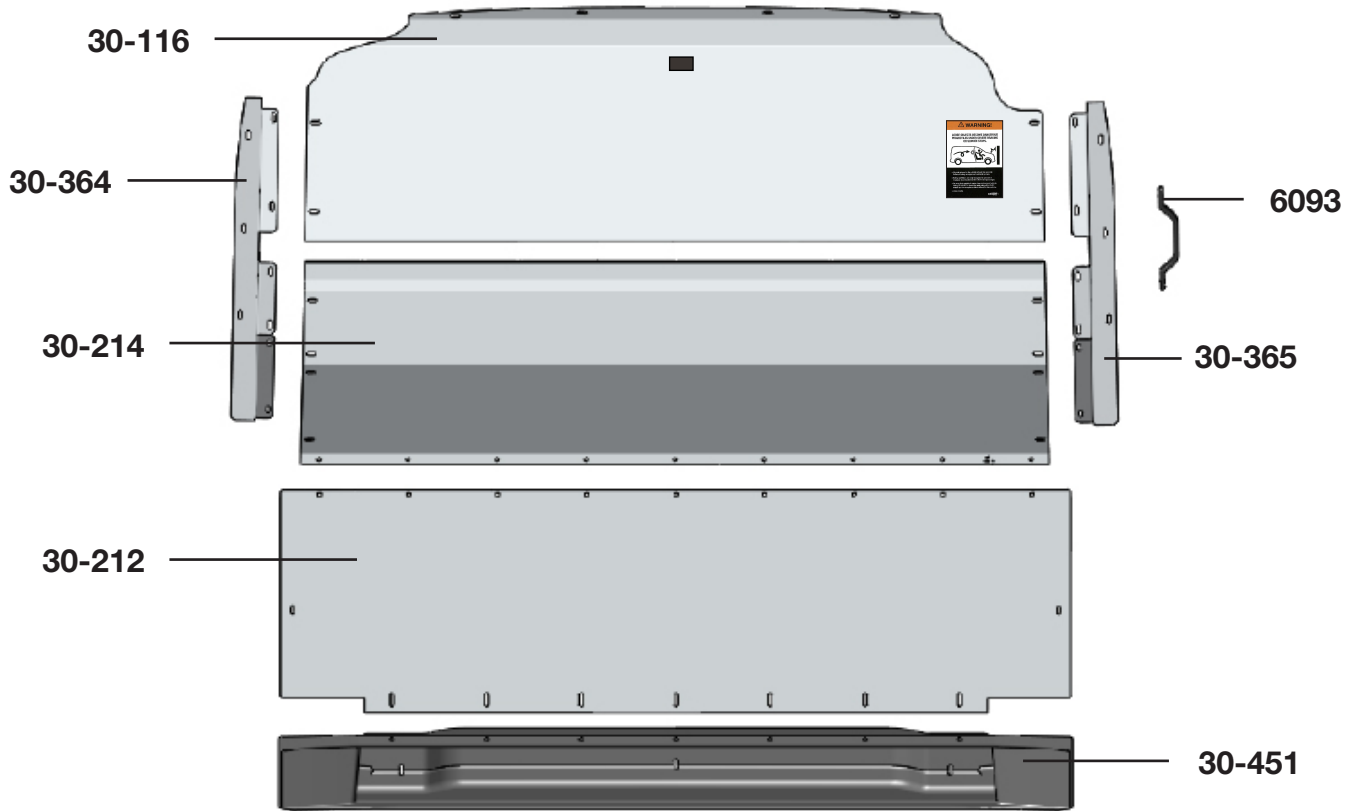


2
PERSONS

PHASE 1 – ASSEMBLY

1.1 SETUP

1.1.1 Unpack components; compare with the bill of materials.

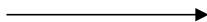


1.1.2 Verify all parts are present.

Item No.	Description	Qty.
30-116	Top Partition	1
30-212	Bottom Partition	1
30-214	Middle Partition	1
30-364	Driver Side Wing	1
30-365	Passenger Side Wing	1
30-451	Plastic Floor Cavity	1
6093	Grab Handle	1
79-932	Warning Label (Bilingual)	1
94-3034	Assembly Fastener Bag	1
96-3021	Installation Fastener Bag	1

1.1.3 Identify the **Assembly** and **Installation** fastener bags.

94-3034 Fastener Bag





Hardware Assembly

- 21x**  **# 90-204** Hex Bolt
5/16"-18 x 3/4"
GR-5 ZINC
- 12x**  **# 90-484** Carriage Bolt
5/16"-18 x 5/8"
- 33x**  **# 94-116** Serrated Nut
5/16"-18
ZINC
- 21x**  **# 98-116** Flat Washer
5/16", 7/8" OD
ZINC

21x

-  #90-204 Hex Bolt 5/16" x 3/4"
-  #98-116 Flat Washer
-  #94-116 Serrated Nut










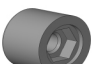


12x

-  #90-484 Carriage Bolt 5/16" x 5/8"
-  #94-116 Serrated Nut

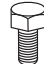


96-3021 Fastener Bag



Hardware Assembly

5x		# 90-114	Hex Bolt 1/14"-20 x 1" GR-5 ZINC
2x		# 90-666	Hex Bolt M8-1.25 x 20 CL 8.8 DIN 933 BLACK OXIDE
8x		# 94-100	Hex Nut 1/4" - 20 ZINC
13x		# 94-130	Plusnut .250
13x		# 98-112	Flat Washer 1/4", 3/4" OD ZINC
2x		# 98-116	Flat Washer 5/16", 7/8" OD ZINC
13x		# 98-118	Lock Washer Regular 1/4" ZINC
2x		# 98-122	Lock Washer Regular 5/6" ZINC
6x		# 98-180	Partition Spacer 0.688" LONG NYLON, BLACK
2x		# 98-181	Partition Spacer 1.250" LONG NYLON, BLACK
6x		# 90-983	Double Ended Screw 1/4" - 20 UNC x 1.125" LONG ZINC
2x		# 90-984	Double Ended Screw 1/4" - 20 UNC x 1.750" LONG ZINC







2x

	#90-666 Hex Bolt M8 x 20
	#98-122 Lock Washer
	#98-116 Flat Washer







5x

	#90-114 Hex Bolt 1/4" x 1"
	#98-118 Lock Washer
	#98-112 Flat Washer
	#94-130 Plusnut .250

6x

	#94-100 Hex Nut 1/4" - 20
	#98-118 Lock Washer
	#98-112 Flat Washer
	#98-180 Short Partition Spacer
	#90-983 Short Double Ended Bolt
	#94-130 Plusnut

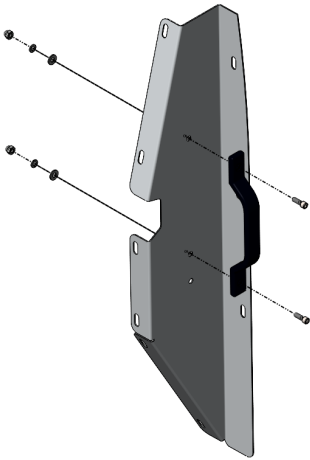
2x

	#94-100 Hex Nut 1/4" - 20
	#98-118 Lock Washer
	#98-112 Flat Washer
	#98-181 Long Partition Spacer
	#90-984 Long Double Ended Bolt
	#94-130 Plusnut

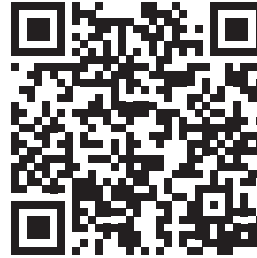
PHASE 1 – ASSEMBLY

1.2 PARTITION ASSEMBLY

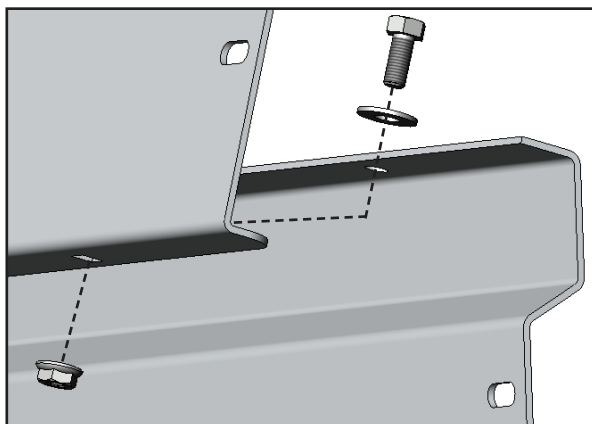
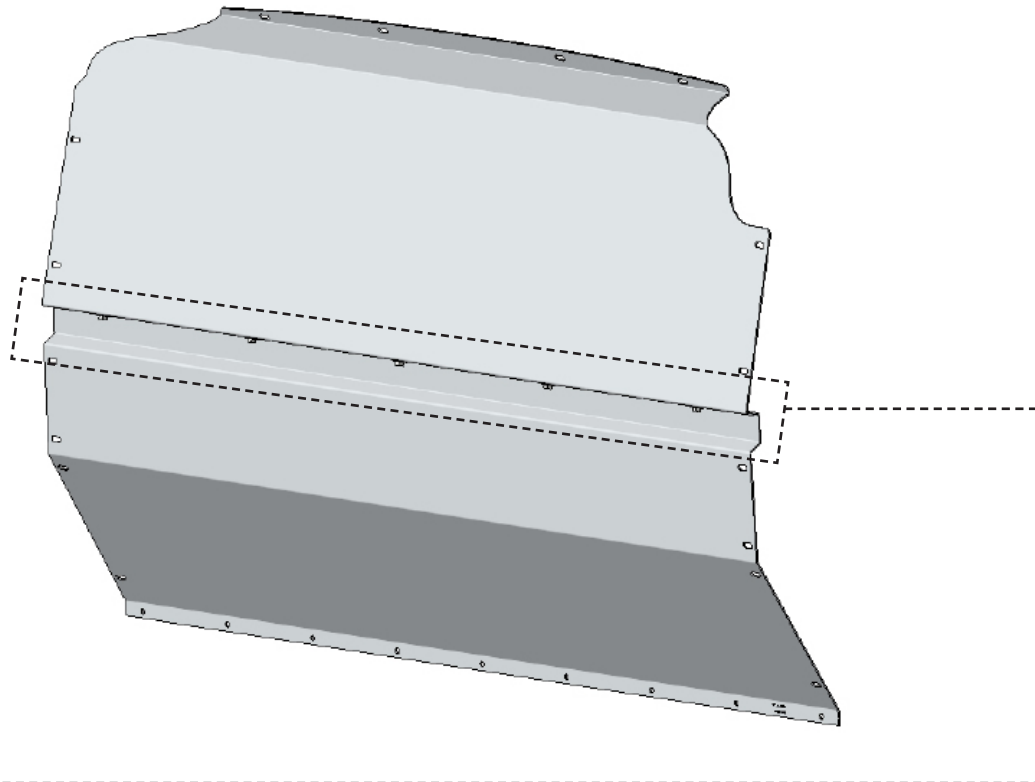
1.2.1 Remove all the PVC from all the parts, then attach the grab handle to the passenger side wing.



For proper installation of the grab handle visit rangerdesign.com or scan the QR code for instructions.



1.2.2 Attach the upper partition and middle partition together.






TOOLS

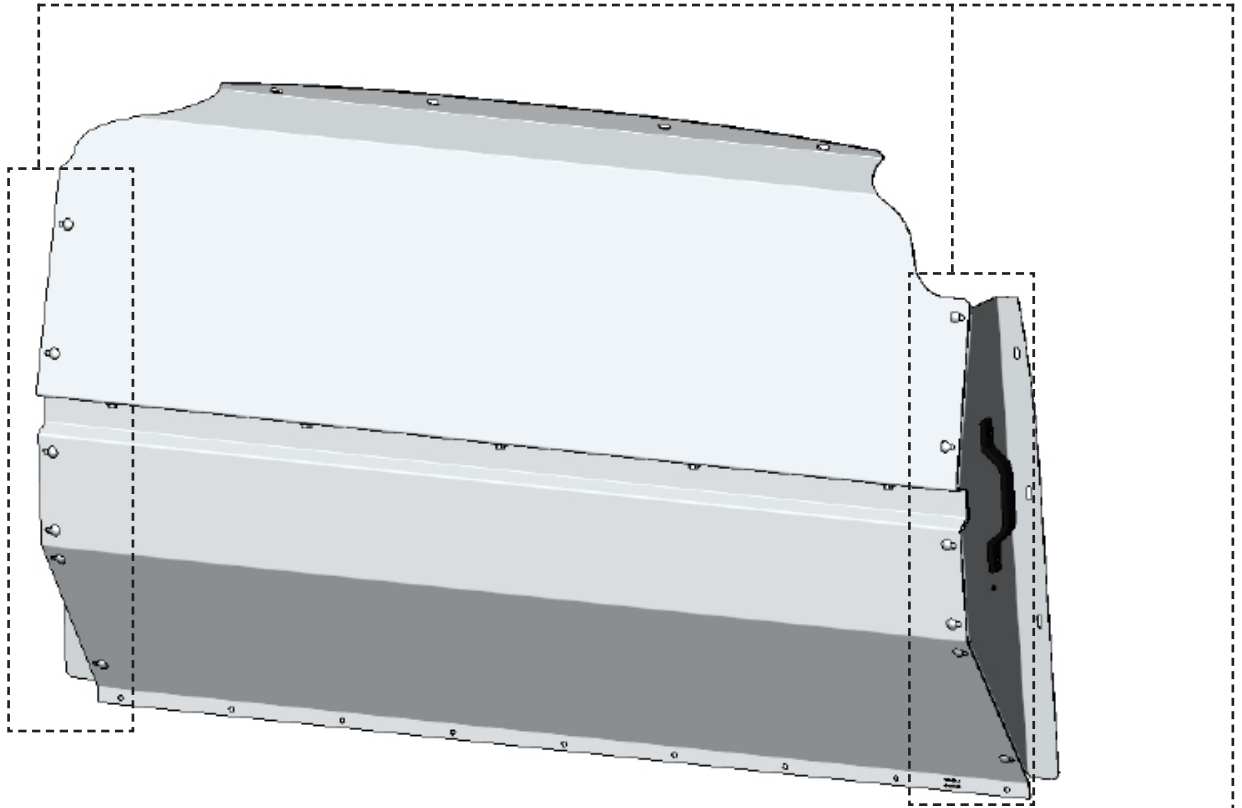
- Cordless Impact
- 1/2" Socket

HARDWARE USED

5x

-  #90-204 Hex Bolt 5/16" x 3/4"
-  #98-116 Flat Washer
-  #94-116 Serrated Nut

1.2.3 Attach both wings to the upper and middle partitions.





TOOLS

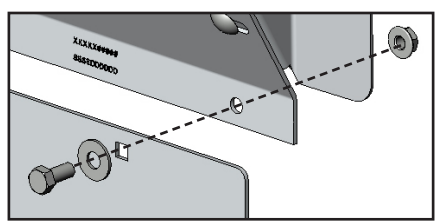
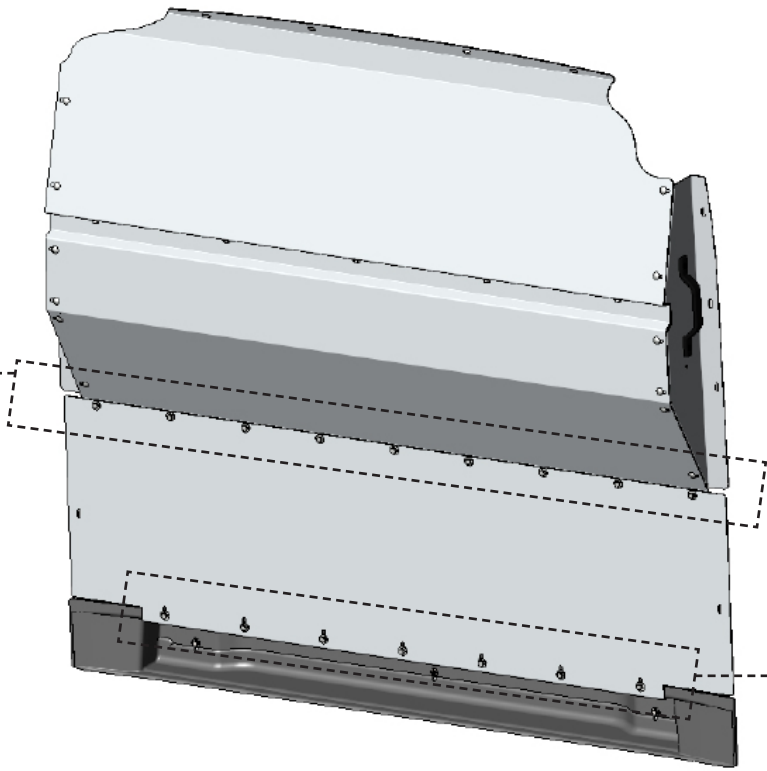
- Cordless Impact
- 1/2" Socket

HARDWARE USED

12x

	#90-484 Carriage Bolt 5/16" x 5/8"
	#94-116 Serrated Nut

1.2.4 Attach the bottom partition to the middle partition then attach the plastic floor cavity to the bottom partition.

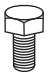




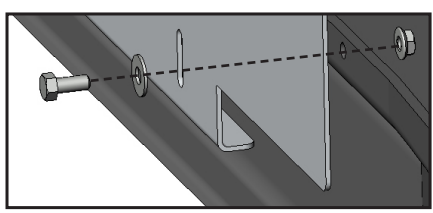
TOOLS

- Cordless Impact
- 1/2" Socket

HARDWARE USED

9x

-  #90-204 Hex Bolt 5/16" x 3/4"
-  #98-116 Flat Washer
-  #94-116 Serrated Nut

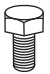




TOOLS

- Cordless Impact
- 1/2" Socket

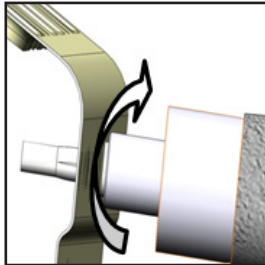
HARDWARE USED

9x

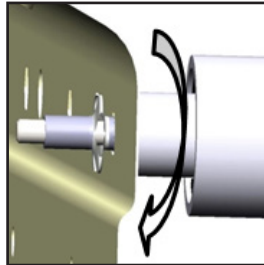
-  #90-204 Hex Bolt 5/16" x 3/4"
-  #98-116 Flat Washer
-  #94-116 Serrated Nut

2.1.1 Attach the plusnut using the plusnut gun.

TIPS: Put the plusnut on the plusnut gun, then attach the plusnut in the hole by turning the gun forward until the plusnut locks, then remove the gun by turning in reverse.



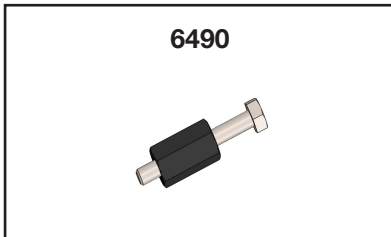
FORWARD



REVERSE



2.1.2 Attach the plusnut using the 6490 plusnut tool.

NOTE: The hardware used for the 6490 plusnut tool is not included in the fastener bag. The 6490 plusnut tool can be ordered separately upon demand at no charge.



6490

HARDWARE USED

-  Flat washer 1/4"
-  Flat washer 1/4" BS x 3/4" OD

- TOOLS**
- Cordless Impact
 - 7/16" Socket
 - 9/16" Wrench

TIPS STEP 1:
Assemble the 6490 plusnut tool with the hardware needed, plusnut and the 9/16" wrench as shown.

TIPS STEP 2:
Attach the plusnut in the hole by turning the bolt forward using an impact with a 7/16" socket until the plusnut locks, then remove the bolt by turning the impact in reverse.

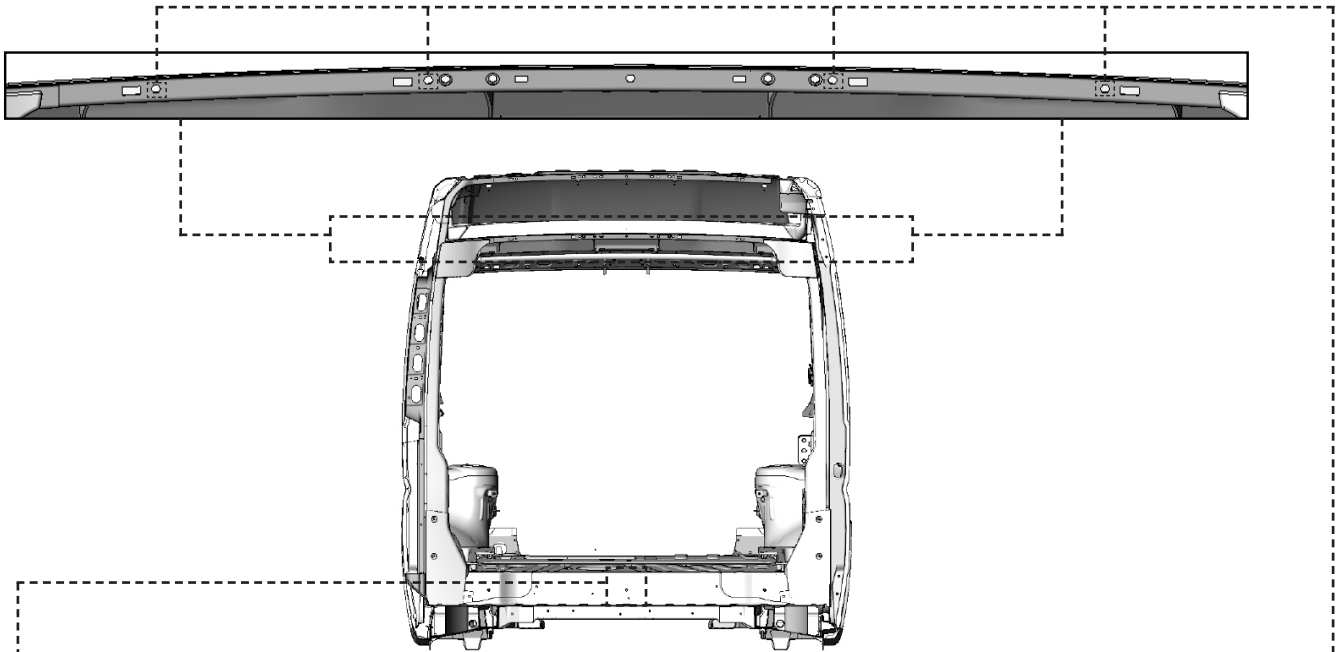
FORWARD

REVERSE

PHASE 2 – INSTALLATION

2.2 VEHICLE PREPARATION

2.2.1 Ceiling and center floor preparation.



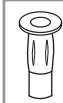
Attach plusnut on the center hole in the floor.



TOOLS
 Plusnut Tool

HARDWARE USED

1x



94-130
Plusnut .250

Enlarge these holes if the plusnuts don't fit using 3/8" drill bit or step drill.



TOOLS

- Cordless Drill
- 3/8" Drill Bit or Step Drill
- Drill Stop

Cut or drill the plastic cover through the 4 holes, then Attach plusnuts in the 4 holes.



TOOLS

- Plusnut Tool
- 1" Hole Saw or Knife

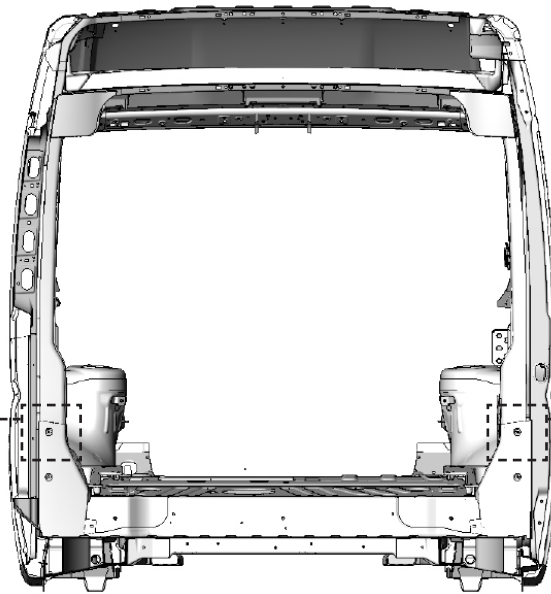
HARDWARE USED

4x



94-130
Plusnut .250

2.2.2 Removing screw and attaching plusnut on the van.



Remove the factory screws.

TOOLS

- Phillips Head Drive Bit
- Cordless Drill



Cut the plastic with a 1" Hole Saw.

TOOLS

- Cordless Drill
- 1" Hole Saw



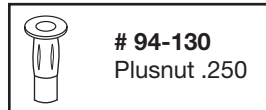
Attach plusnuts in the 2 holes.

TOOLS

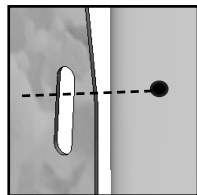
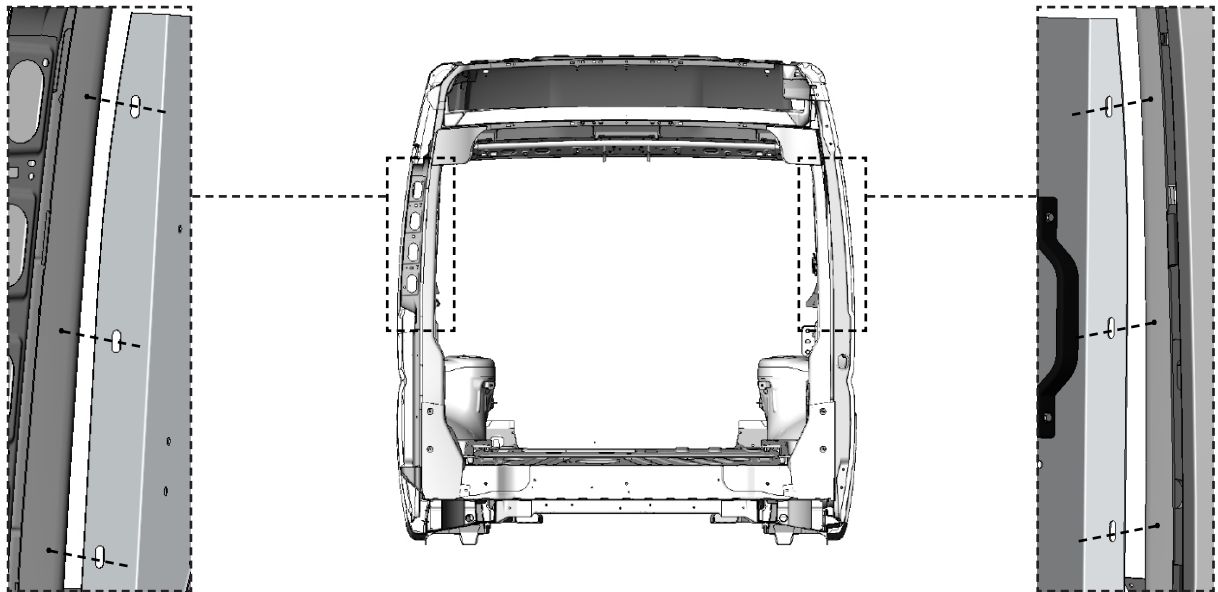
- Plusnut Tool

HARDWARE USED

2x



2.2.3 Driver and passenger sides preparation.



Put the partition in place, then put a mark on the van through the holes of the driver and passenger side panels.

TOOLS

- Marker



Drill through the plastic using the hole saw.

TOOLS

- Cordless Drill
- 1" Hole Saw



Enlarge the holes if the plusnuts don't fit and make new holes if they don't align with the panel on the van.

TOOLS

- Cordless Drill
- 3/8" Drill Bit or Step Drill
- Drill Stop



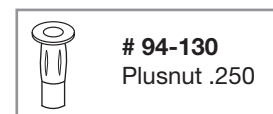
Attach plusnuts in the 6 holes.

TOOLS

- Plusnut Tool

HARDWARE USED

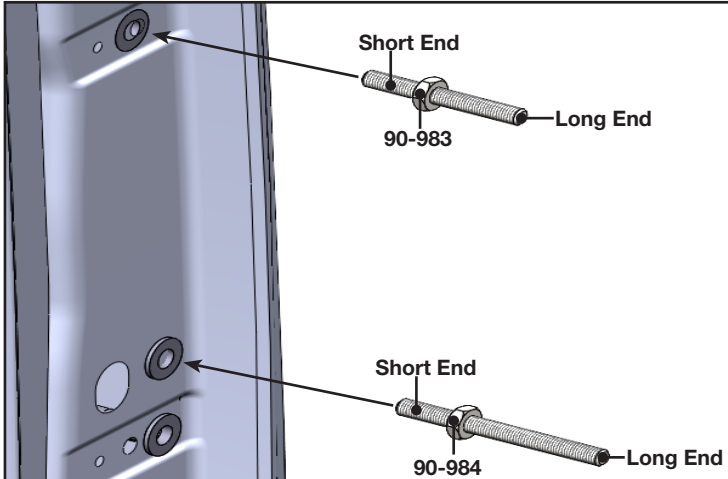
6x



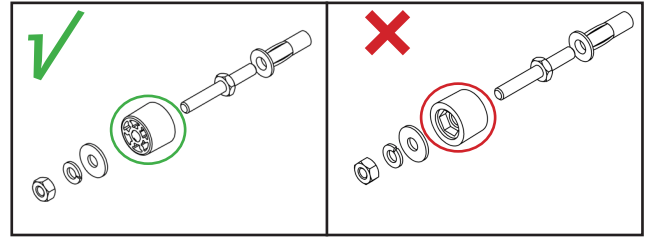
2.3.1 Add double ended bolts and partition spacers to the b-pillar.

NOTE: •Make sure that you have correctly oriented the spacers and bolts before installing the partition.

Bolt Orientation



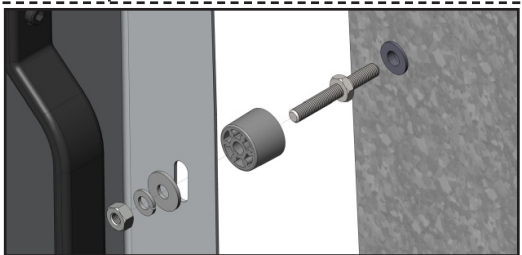
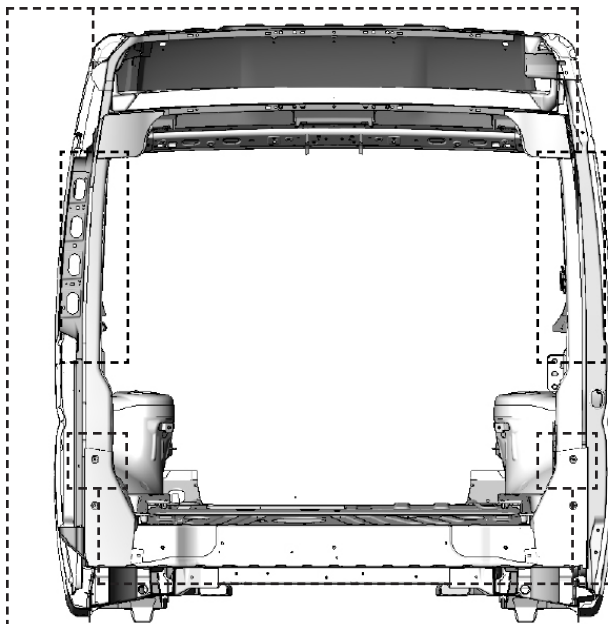
Spacer Orientation



NOTE: If the plastic partition trim is not installed around the b-pillars, then omit the spacers during the installation steps.

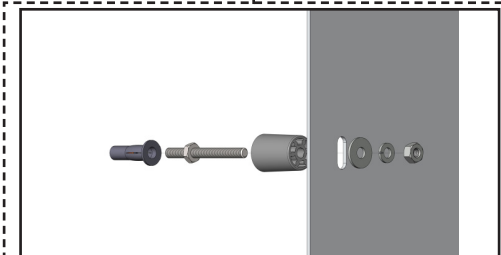
TOOLS

- 7/16" Wrench



HARDWARE USED 6x

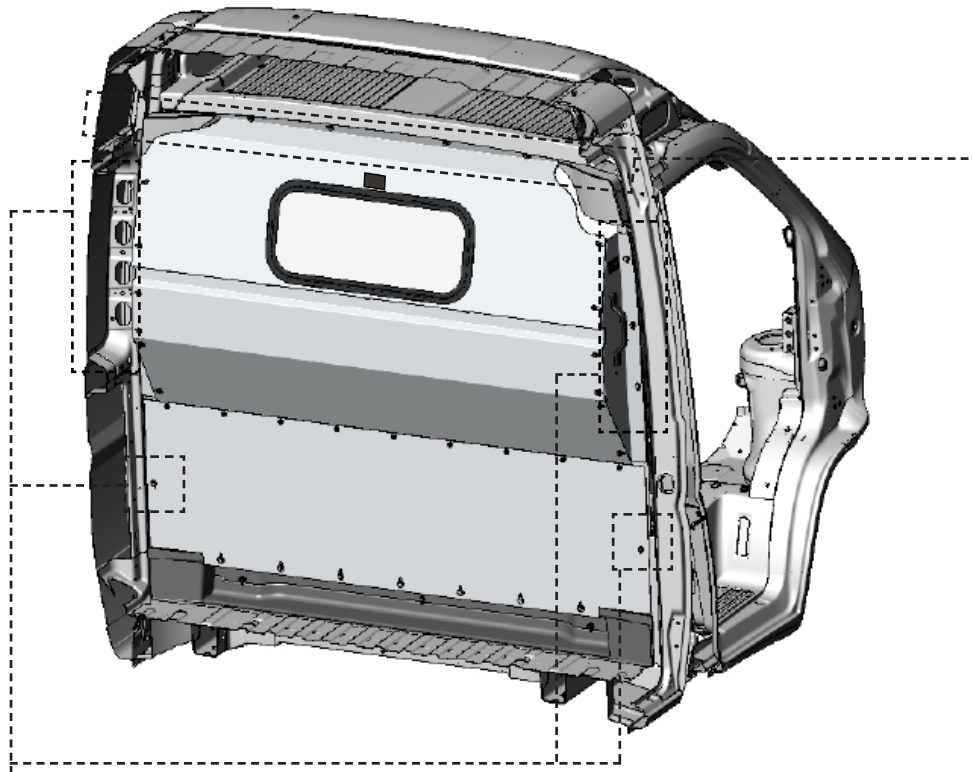
- #98-180 Short Partition Spacer
- #90-983 Short Double Ended
- #94-130 Plusnut



HARDWARE USED 2x

- #98-181 Long Partition Spacer
- #90-984 Long Double Ended Bolt
- #94-130 Plusnut

2.3.2 Lift and place the partition back on the van, then attach the partition to the van.






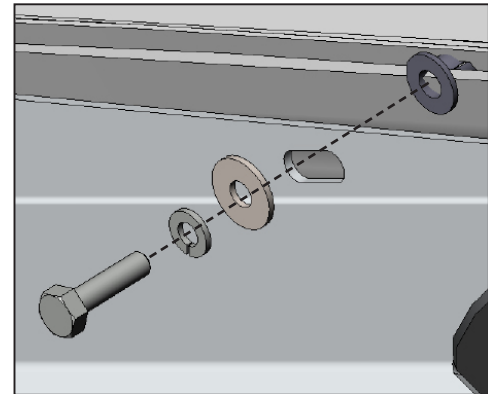
TOOLS

- Cordless Impact
- 7/16" Socket

HARDWARE USED

8x

- | | |
|-------------------------------------------------------------------------------------|---------------------------|
|  | #94-100 Hex Nut 1/4" - 20 |
|  | #98-118 Lock Washer |
|  | #98-112 Flat Washer |






TOOLS

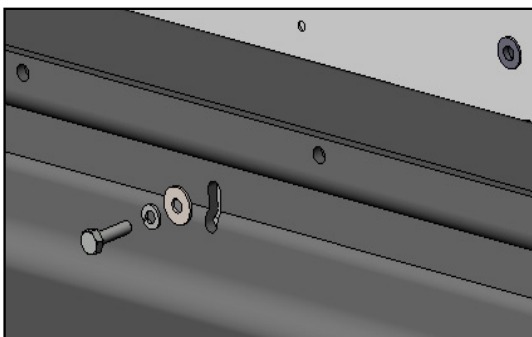
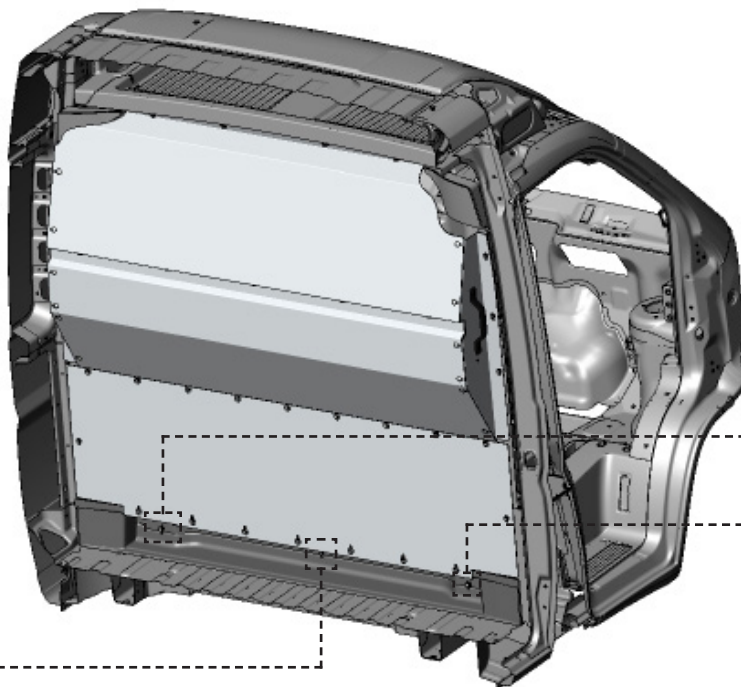
- Cordless Impact
- 7/16" Socket

HARDWARE USED

4x

- | | |
|---------------------------------------------------------------------------------------|----------------------------|
|  | #90-114 Hex Bolt 1/4" x 1" |
|  | #98-118 Lock Washer |
|  | #98-112 Flat Washer |

2.3.3 Plastic floor cavity installation.



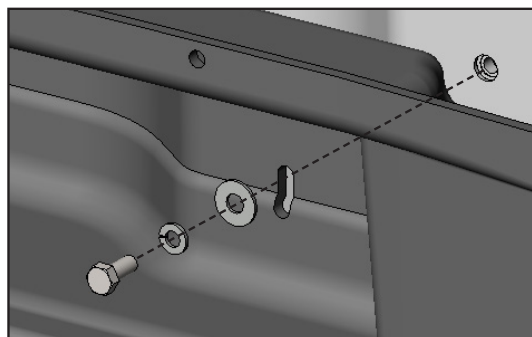
TOOLS

- Cordless Impact
- 7/16" Socket

HARDWARE USED

1x

-  #90-114 Hex Bolt 1/4" x 1"
-  #98-118 Lock Washer
-  #98-112 Flat Washer






TOOLS

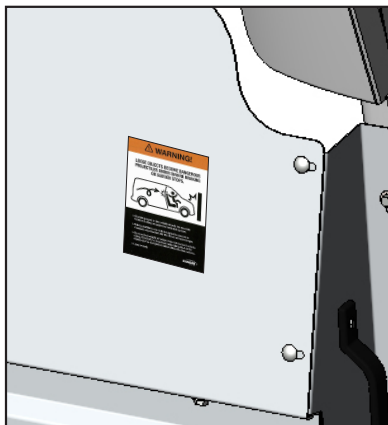
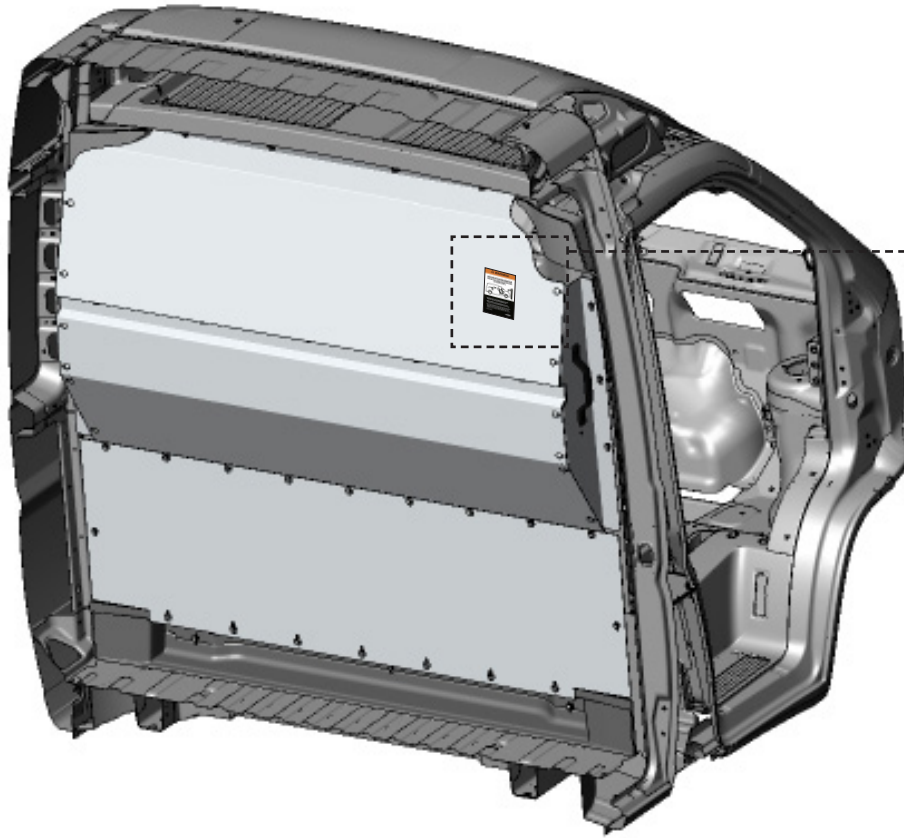
- Cordless Impact
- 13mm Socket

HARDWARE USED

2x

-  #90-666 Hex Bolt M8 x 20
-  #98-122 Lock Washer
-  #98-116 Flat Washer

2.3.4 Apply the warning label on the top partition.



NOTE: English warning label is already attached on the upper panel.

**“You have successfully installed your contoured partition,
Thank you for doing business with us.”**

For any feedback or suggestions, you may have, please contact: cs@rangerdesign.com