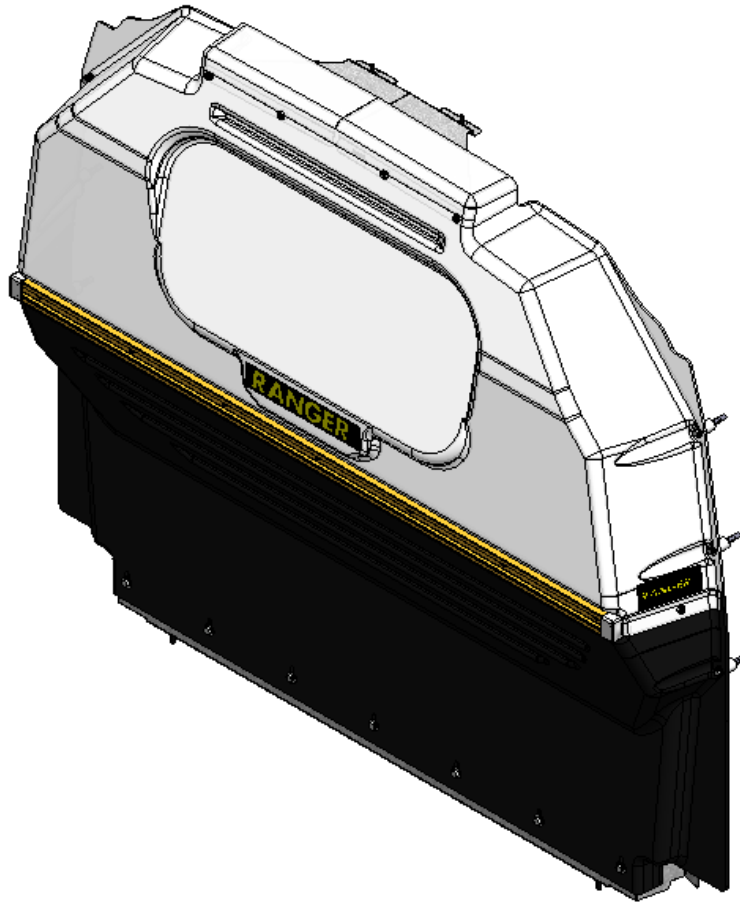


# INSTALLATION GUIDE



## 3320-MM CONTOURED PARTITION

Metris Partition ( Clear Plastic )



Scan the QR for the latest Install-Guide.





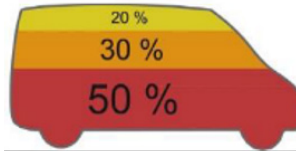
# BEFORE YOU BEGIN

READ, UNDERSTAND, AND FOLLOW ALL WARNINGS AND INSTRUCTIONS BEFORE USING THIS PRODUCT. FAILURE TO FOLLOW THESE DIRECTIONS MAY RESULT IN PROPERTY DAMAGE, SERIOUS BODILY INJURY, AND/OR DEATH. RANGER DESIGN IS NOT RESPONSIBLE FOR ANY PROPERTY DAMAGE, PERSONAL INJURY, OR DEATH THAT OCCURRED WHILE USING ANY RANGER DESIGN PRODUCTS.



## WARNING

- Failure to use Ranger Design-provided fasteners, brackets, and proper installation guidelines could increase risk of serious personal injury and/or death.
- If drilling is required to complete this installation: improper drilling can cause property damage to vehicles and could lead to electric shock, fire, or even death.
- If drilling is required to complete this installation: Ensure that drilling is only performed on areas of the vehicle allowed by the vehicle's Original Equipment Manufacturer's Body Builders Layout Book (or equivalent document).
- Prior to installation, inspect the vehicle to ensure that installation will not interfere with, or cause obstruction of, any critical components such as electrical wiring, fuel tanks, fuel-cells, locks, latches, etc.
- The installer or manufacturer is responsible for ensuring anchorages are installed onto suitable wall and floor structures; wall and floor strength must meet applicable performance requirements.
- Do not install systems into any weak or unsound materials such as plastics, woods, thin-walled metals, etc. without proper reinforcement.
- Do not install this product where it could interfere with the deployment of airbags. Failure to comply could result in death or serious injury.
- Do not install this product where it could ingress on the Transit Occupant Protection Zone. Failure to comply could result in death or serious injury.
- Incorrect installation could cause water leaks, electric shock or fire.
- Any cargo vehicle with any cargo or equipment should use a certified partition. See Ranger Design website for some partition options. (<https://rangerdesign.com/>)
- Mountings rails are recommended for any attachment to the vehicle walls.
- All items in the cargo area should be properly secured and partition doors closed while the vehicle is in motion.
- Check your vehicle's tare weight and remaining load capacity with all the equipment installed. Never exceed the maximum Gross Vehicle Weight Rating (GVWR), Gross Axle Weight Ratings (GAWRs), or other maximum loads permitted by the vehicle's Original Equipment Manufacturer (OEM) and required by law.
- The heaviest items must be placed towards the bottom of the vehicle, while the lightest ones can be arranged upwards. Vehicle cargo loading weight proportion should follow the following guidelines:



- The final alterer and/ or modifier should review the warning sheet with the customer before the vehicle is released to the customer or for general use. These instructions should remain with the vehicles a all times.
- Any modification or unintended use of this product voids any warranty and could create a hazardous condition.
- Ranger Design provides recommended assembly and installation instructions which should be followed to ensure correct operation. Failure to do so could result in invalidating the product's compliance, warranty and cause injury. Notwithstanding, the final stage vehicle alterer and/or modifier is responsible for the integration, installation, and compliance of the product in its final location to all applicable regulations and standards. Failure to maintain compliance of the vehicle to applicable regulations and standards could be punishable by law. Alterers and/or modifiers should consult with all local authorities prior to commissioning.



## CAUTION

- Drilling is required to complete this installation. Before drilling, ensure that you will not hit any critical parts of the vehicle like the gas tank, wiring harness, or hose. Consult the vehicle OEM documentation as necessary. When drilling, use a drill collar to reduce the risk of damage to the vehicle.
- Any materials, padding, or glazing installed in the vehicle must comply with FMVSS/CMVSS 201/205/302, as applicable.
- In the event of a motor vehicle accident or collision where a Ranger system has been installed, especially ones where the vehicle structure is damaged and/or the air bags deploy and/or the vehicle has been towed, the system must be inspected to ensure continued soundness and safety before returning the vehicle to service. Damaged components should be replaced as necessary.
- All system components should be regularly inspected, cleaned, and maintained pursuant to Ranger guidelines.

# QUICK START GUIDE

## Phase 1 - Assembly

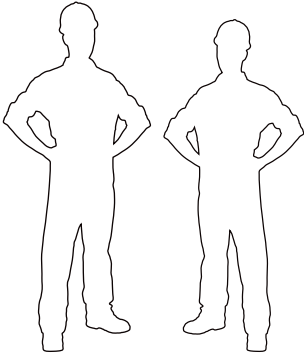
- 1.1 Setup..... 4
- 1.2 Partition assembly..... 6

## Phase 2 - Installation

- 2.1 Tips on how to attach a plusnut..... 8
- 2.2 Vehicle preparation..... 9
- 2.3 Contoured partition installation..... 11

# REQUIRED ITEMS

- Cordless Impact
- Cordless Drill
- Marker
- Plusnut Tool
- Socket Wrench
- Step Drill
- 3/8" Drill Bit
- 7/16" Socket
- 1/2" Socket
- 9/16" Wrench
- 1" Hole Saw
- 10mm Socket
- 13mm Socket
- T40 Torque Bit

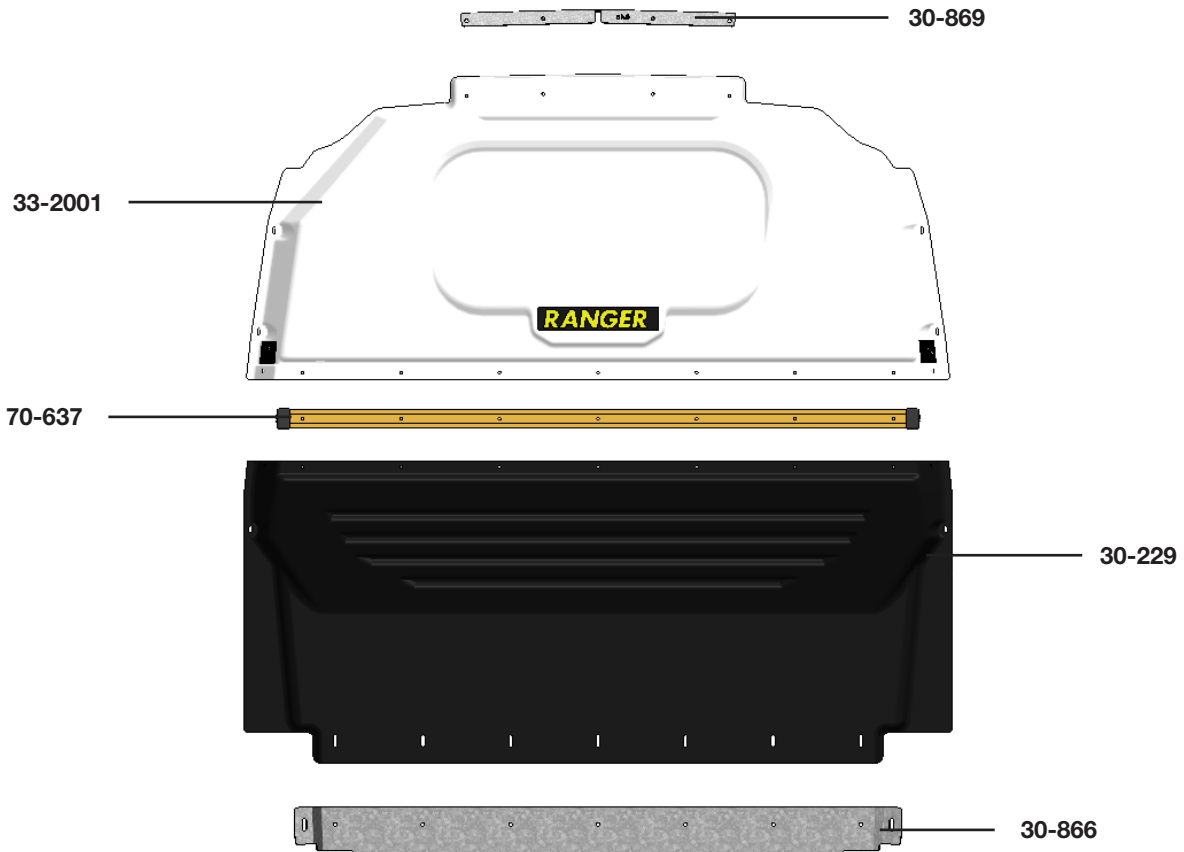


**2**  
**PERSONS**

# PHASE 1 – ASSEMBLY

## 1.1 SETUP

1.1.1 Unpack components; compare with the bill of materials.

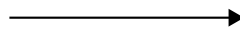


1.1.2 Verify all parts are present.

Item No.	Description	Qty.
30-229	Lower Panel	1
30-866	Floor Bracket	1
30-869	Butterfly Shape Bracket	1
70-637	Mounting Track 58-3/8"	1
79-932	Warning label - Bilingual, partition	1
30-2001	Upper Panel w/ Label	1
94-3009	Assembly Fastener Bag	1
96-3004	Installation Fastener Bag	1

1.1.3 Identify **Assembly** and **Installation** fastener bags.

**Assembly Fastener Bag**



**Hardware Assembly**

4x		# 90-108	Hex Bolt 1/4"-20 x 5/8" GR-5 ZINC
2x		# 90-112	Hex Bolt 1/4"-20 x 7/8" GR-5 ZINC
7x		# 90-114	Hex Bolt 1/4"-20 x 1" GR-5 ZINC
7x		# 90-204	Hex Bolt 5/16"-18 x 3/4" GR-5 ZINC
13x		# 94-112	Serrated Nut 1/4"-20 ZINC
7x		# 94-116	Serrated Nut 5/16"-18 ZINC
13x		# 98-112	Flat Washer 1/4", 3/4" OD ZINC
7x		# 98-116	Flat Washer 5/16", 7/8" OD ZINC

4x

	#90-108 Hex Bolt 1/4" x 5/8"
	#98-112 Flat Washer
	#94-112 Serrated Nut

2x

	#90-112 Hex Bolt 1/4" x 7/8"
	#98-112 Flat Washer
	#94-112 Serrated Nut

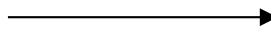
7x

	#90-114 Hex Bolt 1/4" x 1"
	#98-112 Flat Washer
	#94-112 Serrated Nut

7x

	#90-204 Hex Bolt 5/16" x 3/4"
	#98-116 Flat Washer
	#94-116 Serrated Nut

**Installation Fastener Bag**



**Hardware Assembly**

6x		# 90-130	Hex Bolt 1/4"-20 x 2" GR-5 ZINC
2x		# 90-668	Hex Bolt M8-1.25 x 40 CL 8.8 DIN 933 BLACK OXIDE
2x		# 90-824	Hex Bolt M6-1.00 x 20 CL 12.9 DIN 933 BLACK OXIDE
6x		# 94-130	Plusnut .250
10x		# 98-112	Flat Washer 1/4", 3/4" OD ZINC
2x		# 98-116	Flat Washer 5/16", 7/8" OD ZINC
10x		# 98-118	Lock Washer Regular 1/4" ZINC
2x		# 98-122	Lock Washer Regular 5/16" ZINC
6x		# 98-158	Retaining Washer M16 (1/4") NYLON
6x		# 99-102	Spacer 0.323" ID x 0.750" OD x 1.125" NYLON

6x

	#90-130 Hex Bolt 1/4" x 2"
	#98-118 Lock Washer
	#98-112 Flat Washer
	#99-102 Spacer
	#98-158 Retaining Washer
	#94-130 Plusnut .250

2x

	#90-668 M8 x 40
	#98-122 Lock Washer
	#98-116 Flat Washer

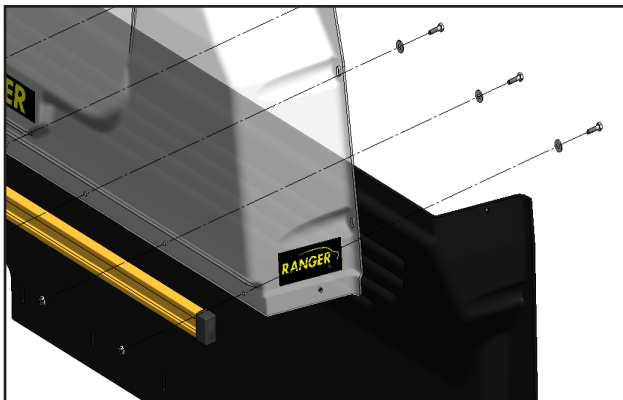
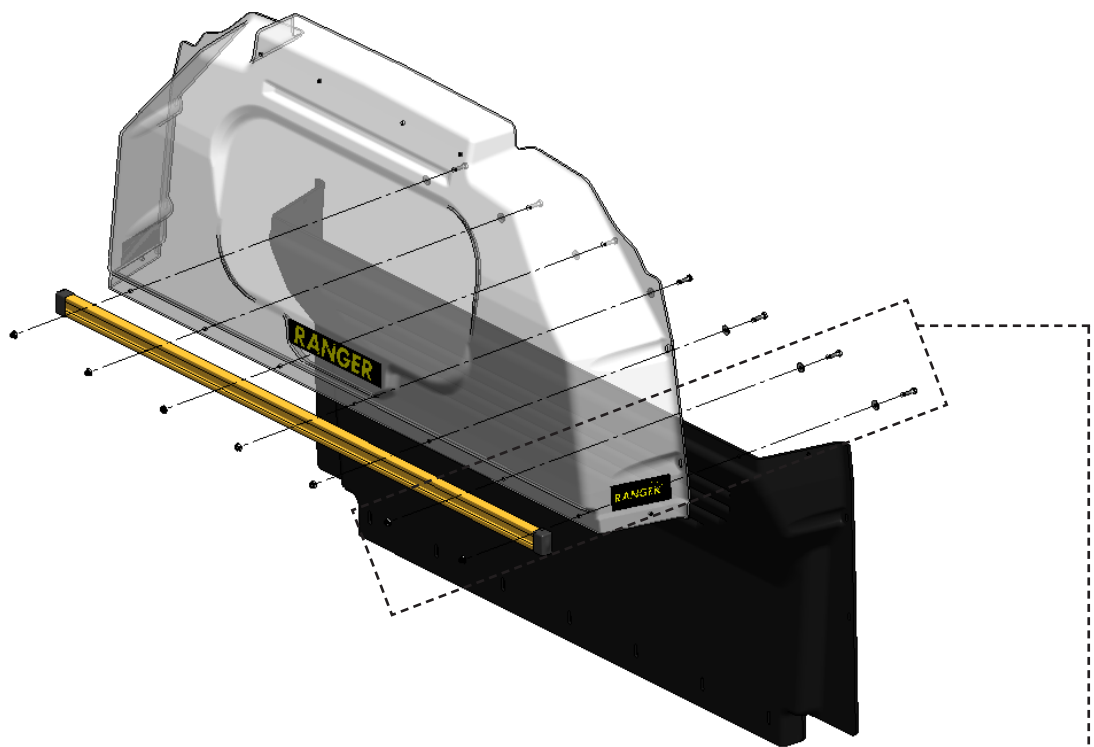
2x

	#90-824 M6 x 20
	#98-118 Lock Washer
	#98-112 Flat Washer

# PHASE 1 – ASSEMBLY

## 1.2 PARTITION ASSEMBLY

1.2.1 Attach the lower panel and mounting track to the upper panel.



### TOOLS

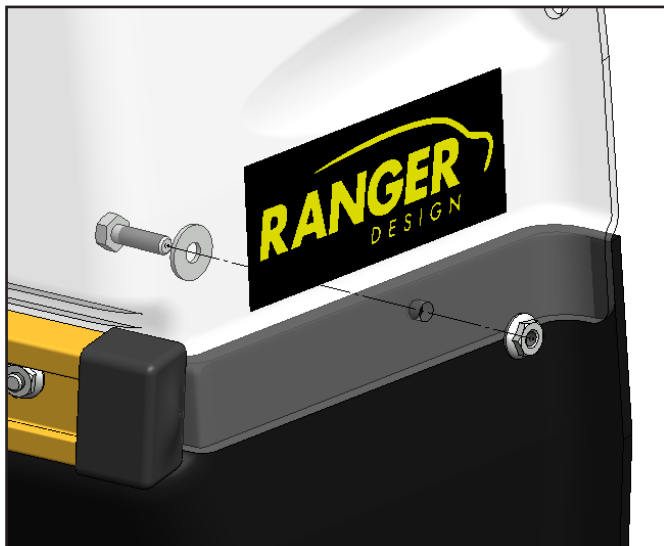
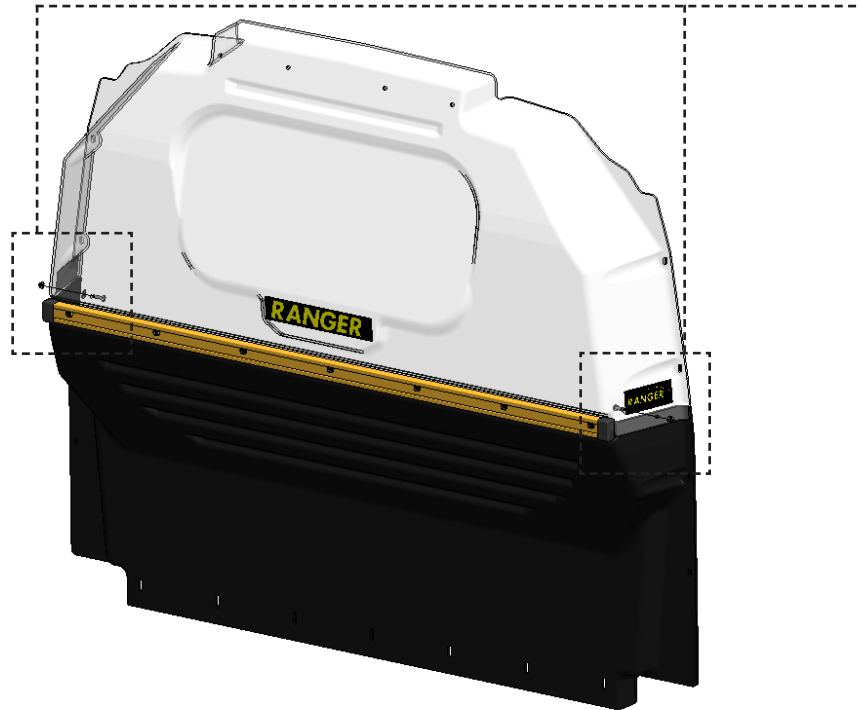
- Cordless Impact
- 7/16" Socket

### HARDWARE USED

7x

- |   |                            |
|---|----------------------------|
|  | #90-114 Hex Bolt 1/4" x 1" |
|  | #98-112 Flat Washer        |
|  | #94-112 Serrated Nut       |

1.2.2 Attach the sides of the upper panel and lower panel together on both sides.






**TOOLS**

- ☐ Cordless Impact
- ☐ 7/16" Socket

**HARDWARE USED**

2x

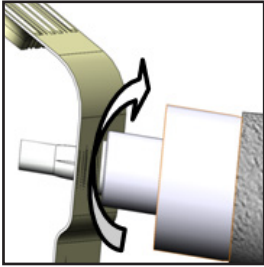
- |  |                              |
|--|------------------------------|
|  | #90-112 Hex Bolt 1/4" x 7/8" |
|  | #98-112 Flat Washer          |
|  | #94-112 Serrated Nut         |

# PHASE 2 – INSTALLATION

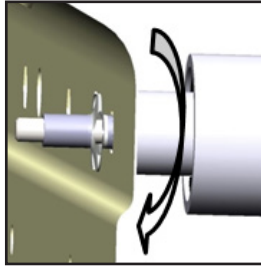
## 2.1 TIPS ON HOW TO ATTACH A PLUSNUT

2.1.1 Attach the plusnut using the plusnut gun.

**TIPS:** Put the plusnut on the plusnut gun, then attach the plusnut in the hole by turning the gun forward until the plusnut locks, then remove the gun by turning in reverse.



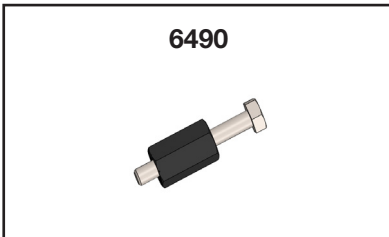
**FORWARD**



**REVERSE**



2.1.2 Attach the plusnut using the 6490 plusnut tool.

**NOTE:** The hardware used for the 6490 plusnut tool is not included in the fastener bag. The 6490 plusnut tool can be ordered separately upon demand at no charge.



**6490**

### HARDWARE USED

-  Flat washer 1/4"
-  Flat washer 1/4" BS x 3/4" OD

### TOOLS

- Cordless Impact
- 7/16" Socket
- 9/16" Wrench

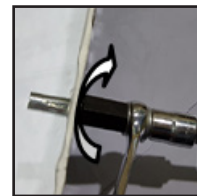
### TIPS STEP 1:

Assemble the 6490 plusnut tool with the hardware needed, plusnut and the 9/16" wrench as shown.



### TIPS STEP 2:

Attach the plusnut in the hole by turning the bolt forward using an impact with a 7/16" socket until the plusnut locks, then remove the bolt by turning the impact in reverse.



**FORWARD**

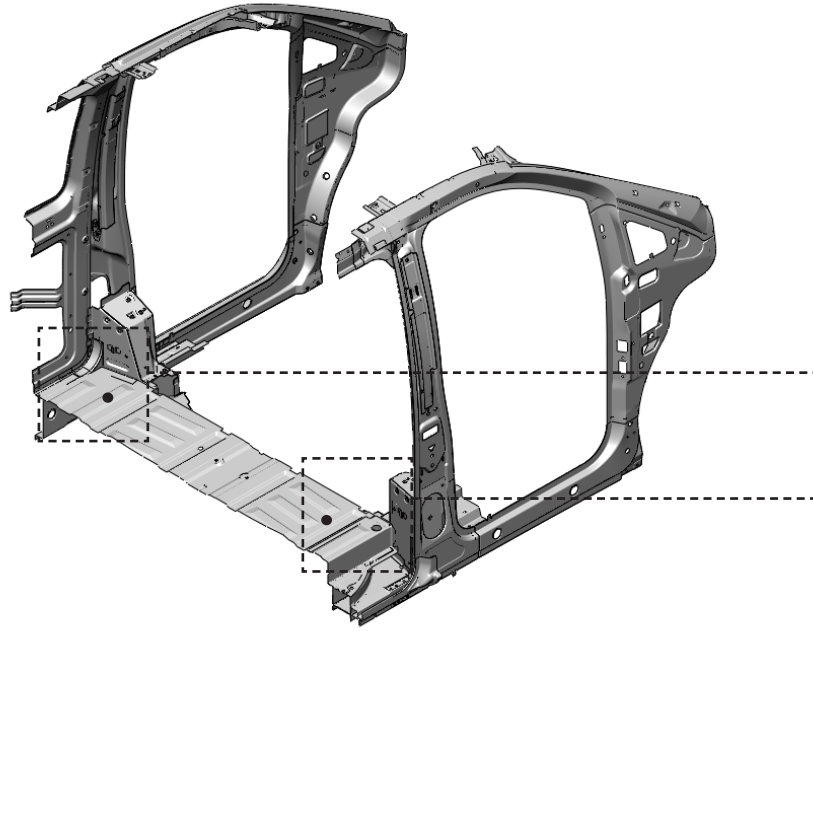


**REVERSE**

# PHASE 2 – INSTALLATION

## 2.2 VEHICLE PREPARATION

### 2.2.1 Floor preparation.



Remove the 2 D-rings and the 2 torque bolts on the floor.

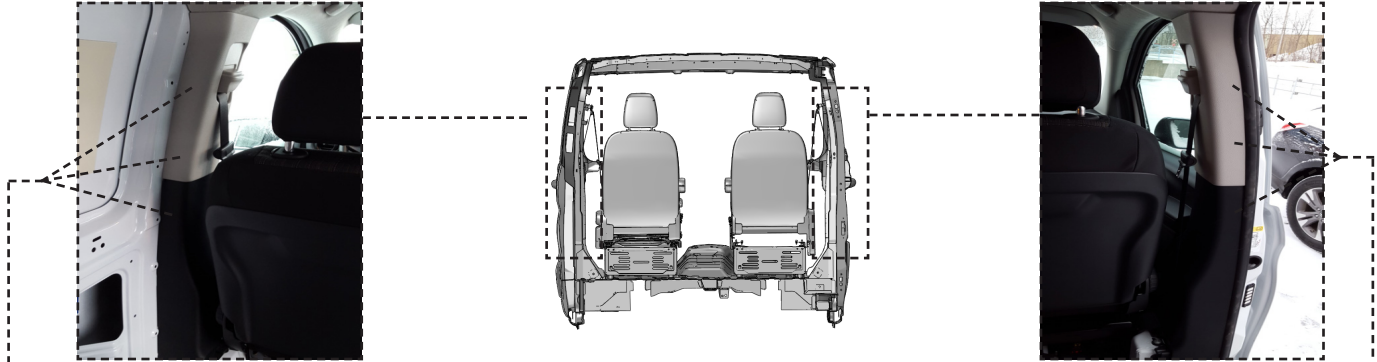
Remove

#### TOOLS

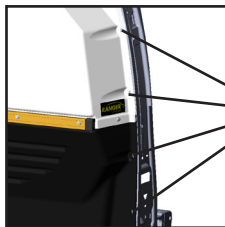
- Cordless Impact
- T40 Torque Bit

### 2.2.2 Driver and passenger sides preparation.

**NOTE:** Be careful of the wire or any parts that hide at the back of the B-pillar.



Put the assembled partition in place and put 6 marks on the plastic covers through the 3 holes of both sides of the assembled partition.



**TOOLS**  
 Marker

MARKS

Put the assembled partition on the side, then drill the marks on the plastic cover using a 1" hole saw.



**TOOLS**  
 1" Hole Saw  
 Cordless Drill

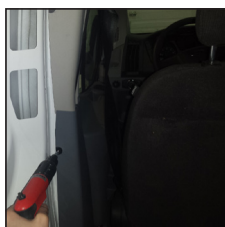
Use a 3/8" drill or step drill to enlarge and to make holes in the van.



**TOOLS**  
 Cordless Drill  
 3/8" Drill Bit or Step Drill

**NOTE:** Use the assembled partition as a template when making the holes to have accurate locations.

Attach plusnuts in the 6 holes.



**TOOLS**  
 Plusnut Tool

**HARDWARE USED**

**6x**

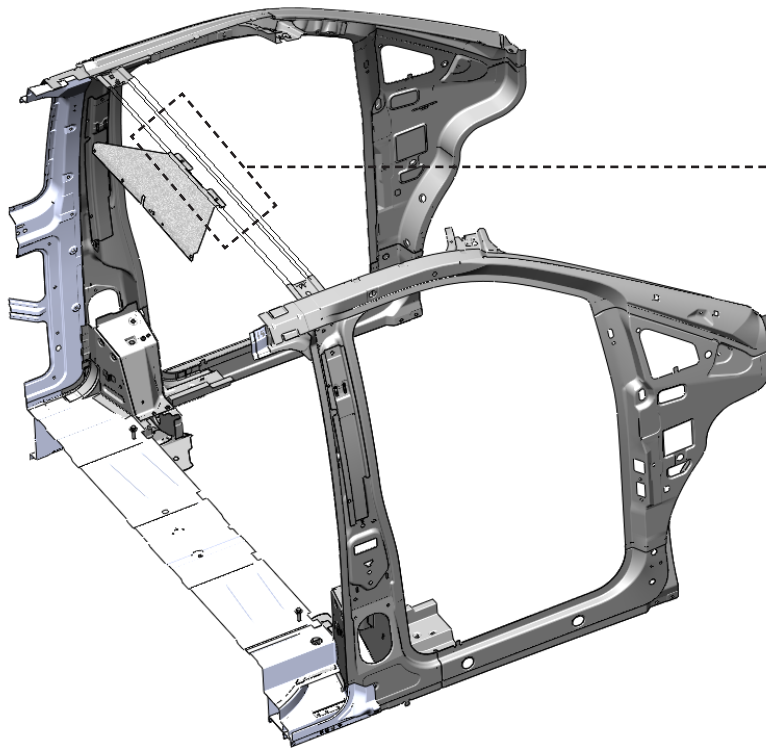


# 94-130  
Plusnut .250

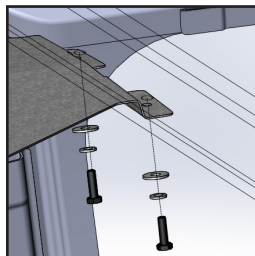
# PHASE 2 – INSTALLATION

## 2.3 CONTOURED PARTITION INSTALLATION

### 2.3.1 Butterfly shape bracket installation.



Pull the plastic cover down, then attach the ceiling bracket using the 2 threaded holes.



#### TOOLS

- Socket Wrench
- 10mm Socket

#### HARDWARE USED

2x



#90-824 M6 x 20

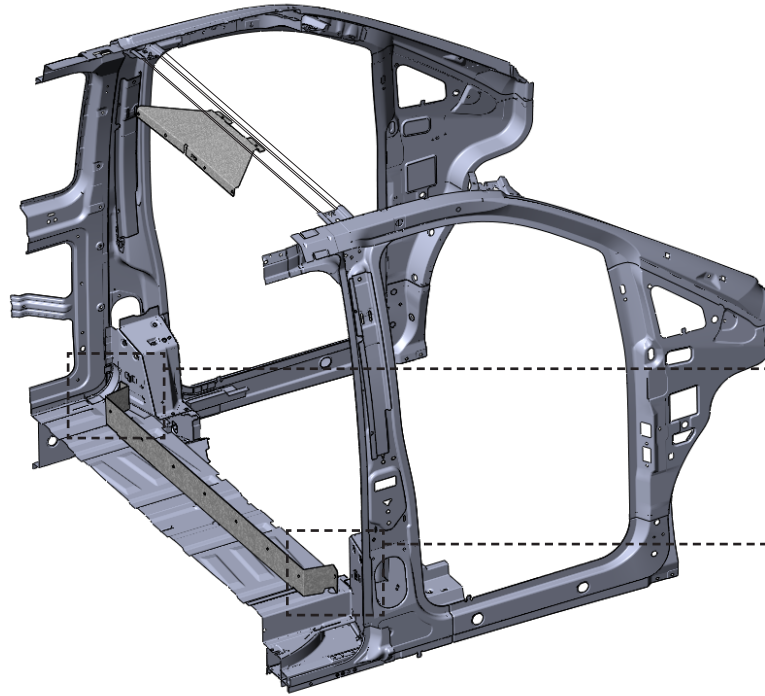


#98-118 Lock Washer



#98-112 Flat Washer

### 2.3.2 Floor bracket installation.



Attach both ends of the floor bracket on van using the D-ring bolts.

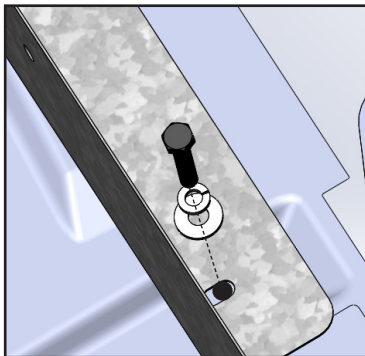
#### TOOLS

- Cordless Impact
- T40 Torque Bit

#### HARDWARE USED

**2x**

Use the D-ring Bolts



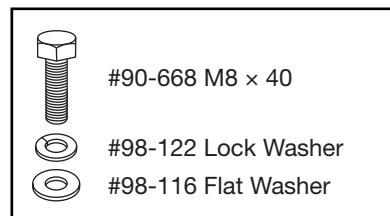
Bolt the floor bracket to the floor of the van.

#### TOOLS

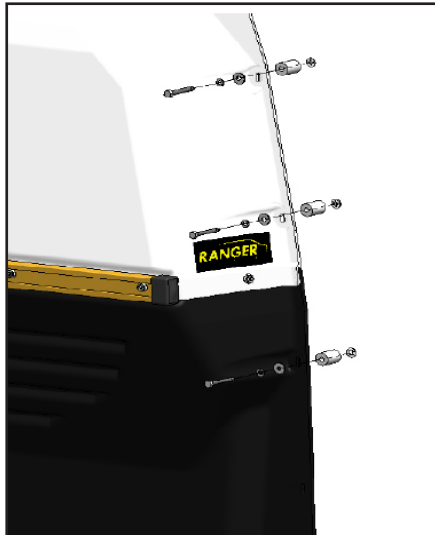
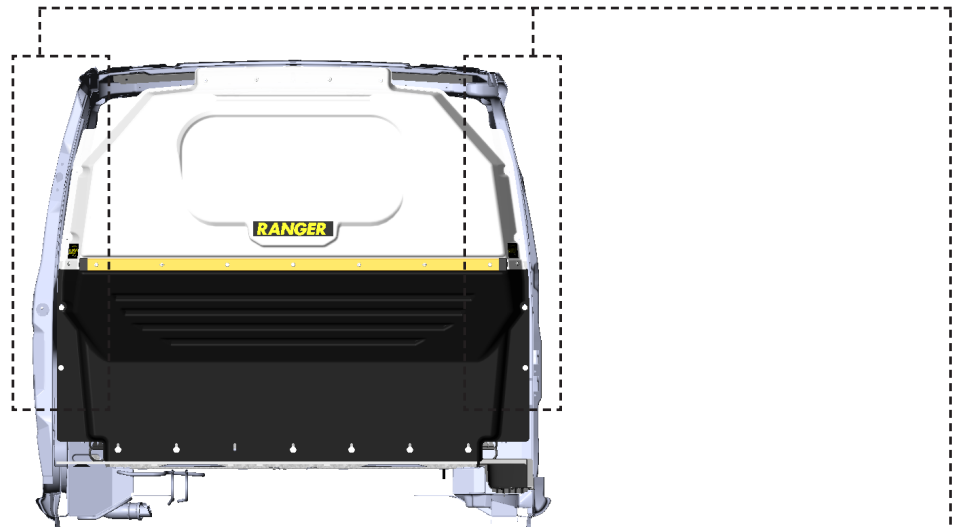
- Cordless Impact
- 13mm Socket

#### HARDWARE USED

**2x**



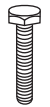




### 2.3.3 Attach the upper panel and lower panel to the van.

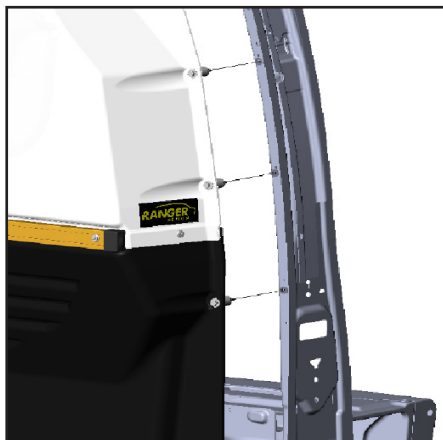


Put a bolt, lock washer, flat washer, spacer and a retaining washer in the side holes of the upper and lower panel.

#### HARDWARE USED

6x

	#90-130 Hex Bolt 1/4" x 2"
	#98-118 Lock Washer
	#98-112 Flat Washer
	#99-102 Spacer
	#98-158 Retaining Washer

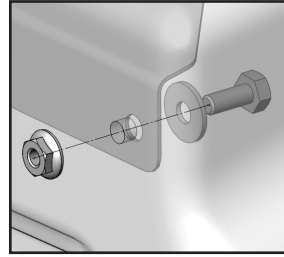
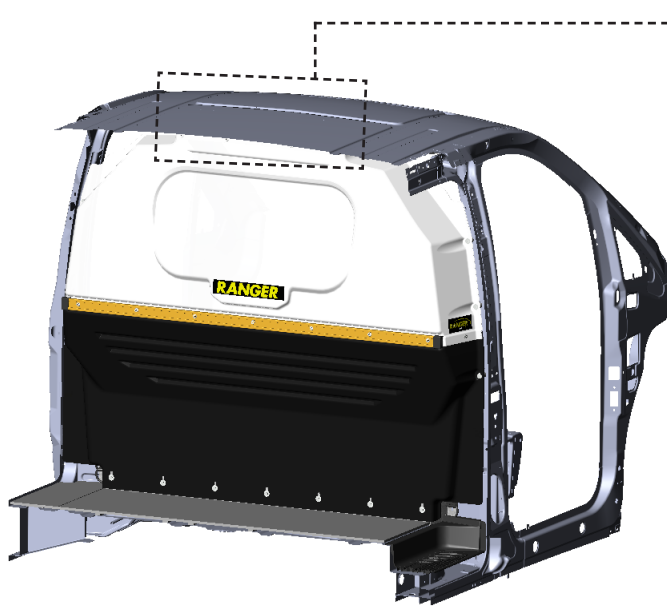


Attach the upper and lower panel using the hex bolts into the plusnuts.

#### TOOLS

- Cordless Impact
- 7/16" Socket

2.3.4 Attach the upper panel to the butterfly shape bracket.






**TOOLS**

- Cordless Impact
- 7/16" Socket

**HARDWARE USED**

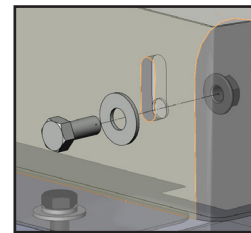
**4x**

-  #90-108 Hex Bolt 1/4" x 5/8"
-  #98-112 Flat Washer
-  #94-112 Serrated Nut

2.3.5 Attach the lower panel to the floor bracket, then attach the warning label on the upper panel.

**NOTE:** English warning label is already attached on the passenger side panel.

**WARNING LABEL**






**TOOLS**

- Cordless Impact
- 1/2" Socket

**HARDWARE USED**

**7x**

-  #90-204 Hex Bolt 5/16" x 3/4"
-  #98-116 Flat Washer
-  #94-116 Serrated Nut



**“Congratulations, you have successfully installed your  
Contoured Partition!”**

**Thank you for doing business with us.”**

For any feedback or suggestions you may have, please contact: [cs@rangerdesign.com](mailto:cs@rangerdesign.com)

