

INSTALLATION GUIDE



1506-DS CARGO +

Mercedes Sprinter 144" Wheelbase



Scan the QR for the latest Install-Guide.

RANGER
DESIGN

Warnings

READ, UNDERSTAND, AND FOLLOW ALL WARNINGS AND INSTRUCTIONS BEFORE USING THIS PRODUCT. FAILURE TO FOLLOW THESE DIRECTIONS MAY RESULT IN PROPERTY DAMAGE, SERIOUS BODILY INJURY, AND/OR DEATH. RANGER DESIGN IS NOT RESPONSIBLE FOR ANY PROPERTY DAMAGE, PERSONAL INJURY, OR DEATH THAT OCCURS WHILE USING ANY RANGER DESIGN PRODUCTS. THE FINAL ALTERER AND/OR MODIFIER SHOULD REVIEW THE WARNING SHEET WITH THE CUSTOMER BEFORE THE VEHICLE IS RELEASED TO THE CUSTOMER FOR GENERAL USE. THESE INSTRUCTIONS SHOULD REMAIN WITH THE VEHICLE AT ALL TIMES.



WARNINGS – Prior To Starting

- Ranger Design products must be assembled and installed by individuals qualified to use the tools required and have experience with similar products. If there is any question as to competence or experience, please contact a professional alterer or modifier.
- Failure to use Ranger Design-provided fasteners, brackets, and proper installation guidelines could increase risk of serious personal injury and/or death.
- Prior to installation, inspect the vehicle to ensure that installation will not interfere with, or cause obstruction of, any critical components such as electrical wiring, fuel tanks, fuel cells, locks, latches, airbags, cameras, lights, sensors, mirrors, etc.
- The final alterer and/or modifier is responsible for ensuring all equipment is sufficiently secured to the vehicle.
- Do not install systems into any weak or unsound materials such as plastics, woods, thin-walled metals, etc., without proper reinforcement.
- Incorrect installation could cause water leaks, electric shock, or fire.
- Any modification or unintended use of this product voids any warranty and could create a hazardous condition.
- Ranger Design provides recommended assembly and installation instructions which must be followed to ensure correct operation. Failure to do so could invalidate the product's compliance and/or warranty and cause injury.
- The final stage vehicle alterer and/or modifier is responsible for the integration, installation, and compliance of the product in its final location with all applicable regulations and standards. Failure to maintain compliance of the vehicle with applicable regulations and standards could be punishable by law. Alterers and/or modifiers should consult with all local authorities prior to commissioning.



WARNINGS – Prior To Drilling

- Wherever possible, secure to existing Original Equipment Manufacturer's (OEM's) mounting points. Consults the vehicles OEM documentation for load limits of each attachment point.
- Improper drilling can cause property damage to vehicles and could lead to electric shock, fire, or even death.
- Ensure that drilling is only performed on areas of the vehicle allowed by the vehicle's OEM's Body Builders Layout Book (or equivalent document).

- Ensure that you will not hit any critical parts of the vehicle like the gas tank, wiring harnesses, or hoses. Consult the vehicle's OEM documentation as necessary. When drilling, use a drill collar to reduce the risk of damage to the vehicle.
- After drilling, ensure holes are sealed in accordance to the original vehicle manufacturer instructions.



WARNINGS – Prior To Operating Vehicle

- Ensure the weight of the cargo is correctly distributed to reduce negatively impacting the vehicle stability and handling. The heaviest items must be placed low in the vehicle, while the lighter items can be placed on a rack higher up.
- Operator must adapt speed to the conditions of the road, the wind, the weather, and the load being carried.
- Respect the maximum weight capacity of the Ranger product as defined in your operator's manual.
- Check your vehicle's tare weight and remaining load capacity with all equipment installed. Never exceed the maximum Gross Vehicle Weight Rating (GVWR), Gross Axle Weight Ratings (GAWRs), roof load limit, bed rail capacity, or other maximum loads permitted by the vehicle's Original Equipment Manufacturer (OEM) and required by law.
- All cargo should be properly secured while the vehicle is in motion.
- All system components should be regularly inspected for damage, corrosion, fractures, loose parts, loose fasteners, etc. pursuant to Ranger Design guidelines. Damaged components must be replaced and loose component tightened prior to operating the vehicle.
- All system components should be regularly cleaned and maintained pursuant to Ranger Design guidelines.



WARNING – In Event Of An Accident

- In the event of a motor vehicle accident or collision where a Ranger Design system has been installed, especially ones where the vehicle's structure has been damaged and/or the air bags have deployed and/or the vehicle has been towed, the system must be inspected to ensure continued soundness and safety before returning the vehicle to service. Damaged components should be replaced as necessary.

FR: Si vous avez besoin de ces instructions en français, s'il vous plait contacter notre service à la clientèle. +1-800-565-5321

ES: Si necesita estas instrucciones en español, comuníquese con el Servicio de atención al cliente de Ranger Design. +1-800-565-5321

QUICK START GUIDE

Phase 1 - Set-up

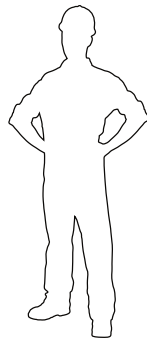
<input type="checkbox"/> 1.1 Setup.....	4
---	---

Phase 2 - Install

<input type="checkbox"/> 2.1 Install	5
--	---

REQUIRED ITEMS

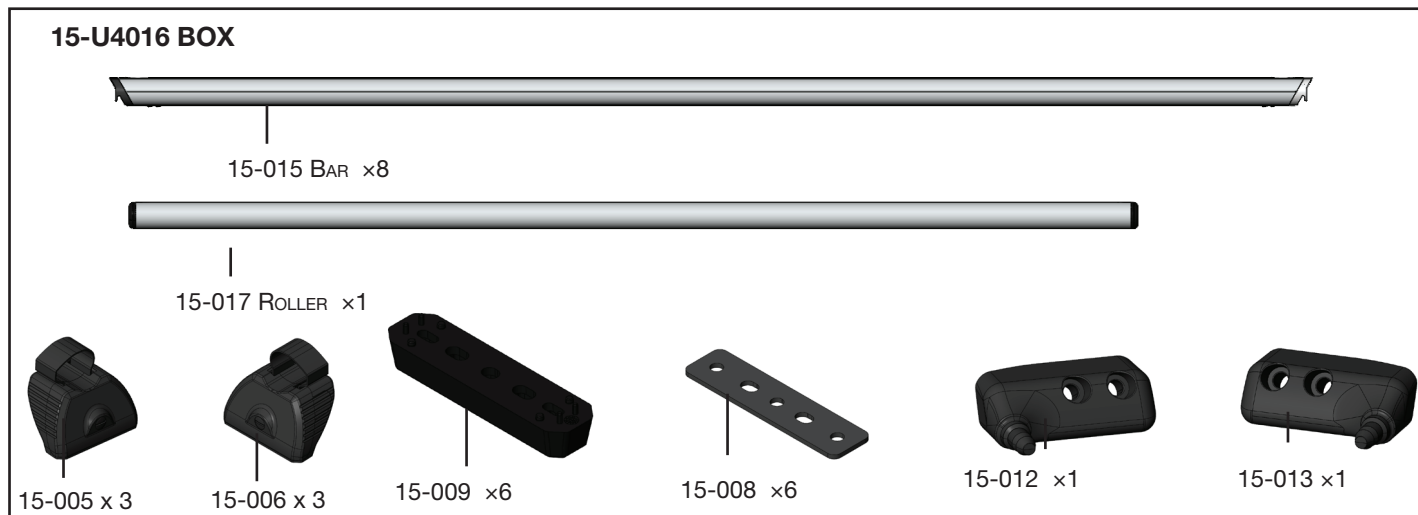
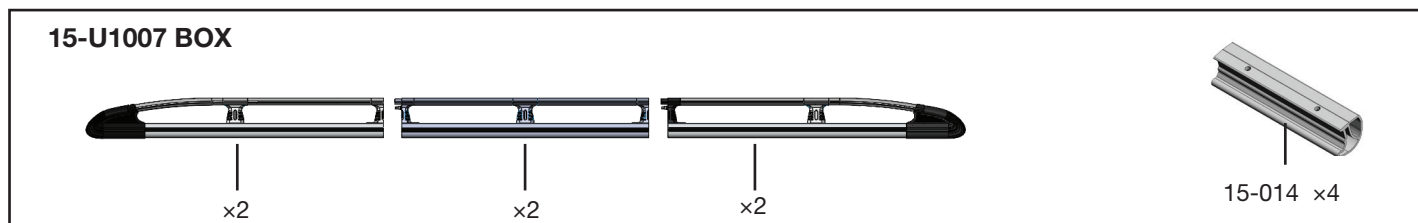
- 6mm Allen key
- Ratchet
- 13mm Wrench
- 13mm Hex Socket
- Anti Seize (recommended)
- Silicone
- Flat head screwdriver



PHASE 1 – ASSEMBLY

1.1 SETUP

1.1.1 Unpack components; compare with the bill of materials.



1.1.2 Verify all parts are present

Bill of Material

Item No.	Description	Qty.
15-005	Cargo+ Foot Passenger Side	3
15-006	Cargo+ Foot Driver Side	3
15-008	Cargo+ Shim	12
15-009	Cargo+ Shim	6
15-012	Cargo+ Driver Side Roller Connection	1
15-013	Cargo+ Passenger Side Roller Connection	1
15-014	Cargo+ Side Rail Connection	4
15-015	Cargo+ Cross bar	8
15-017	Cargo+ Roller	1
90-020	M8x75mm Hex Bolt	6
90-921	M8x65mm Carriage Bolt	12
94-203	M8 Locknut	18
98-129	M8 Flat Washer	18
99-008	Sprinter OEM Track Rail Fitting (metal)	18
99-009	Sprinter through fitting (small rubber)	6
90-003	M8x25mm Allen Socket Bolt	28
99-010	Rail Connector	20

*Hardware found in both rail and roller boxes.

1.1.3 Identify **Assembly** and **Installation** fastener bag.

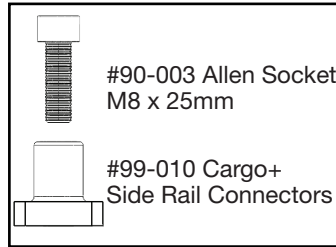
Assembly Fastener →

Hardware Assembly

28x  # 90-003


Allen Socket
M8 x 25mm
Rhino Bolt

20x



8x



20x  # 99-010

Cargo+ Side
Rail Connectors

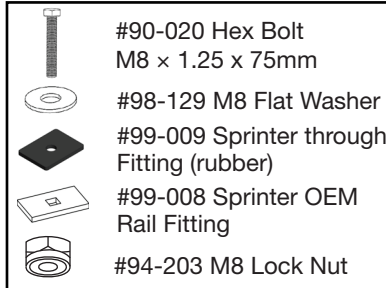
Installation Fastener →

Hardware Assembly

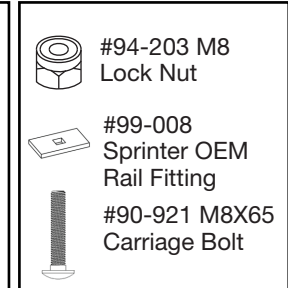
12x  #90-921

Carriage Bolt
M8X65mm
SS304

6x Without OEM Track



12x With OEM Track



6x  #90-020

Hex Bolt
M8-1.25x75mm
SS304

6x  #98-129

Hex Bolt
M8 Flat Washer
SS304

12x  #94-203

M8 Lock Nut
SS304

6x  #99-009

Sprinter through
Fitting (rubber)

12x  #99-008

Sprinter OEM Rail
Fitting (metal)

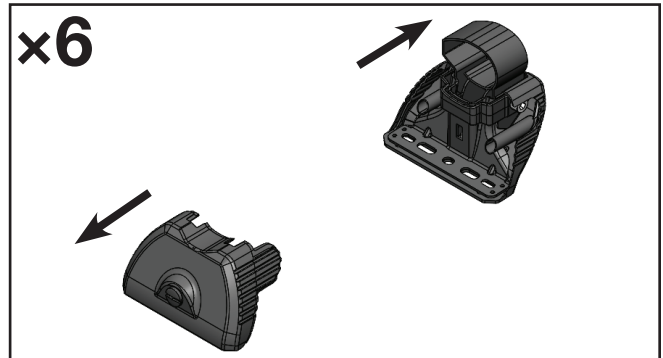
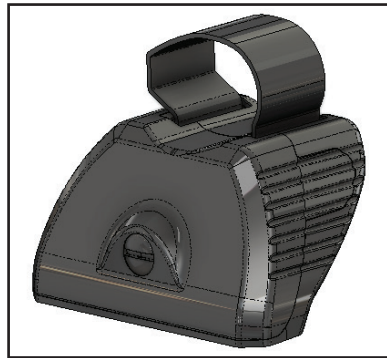
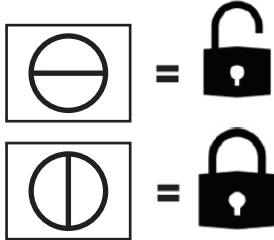
PHASE 2 – ASSEMBLY

1.1 ROOF INSTALLATION

1. Remove foot cowlings.

TOOLS

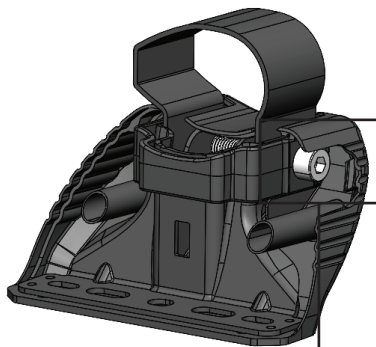
- Flat head screwdriver



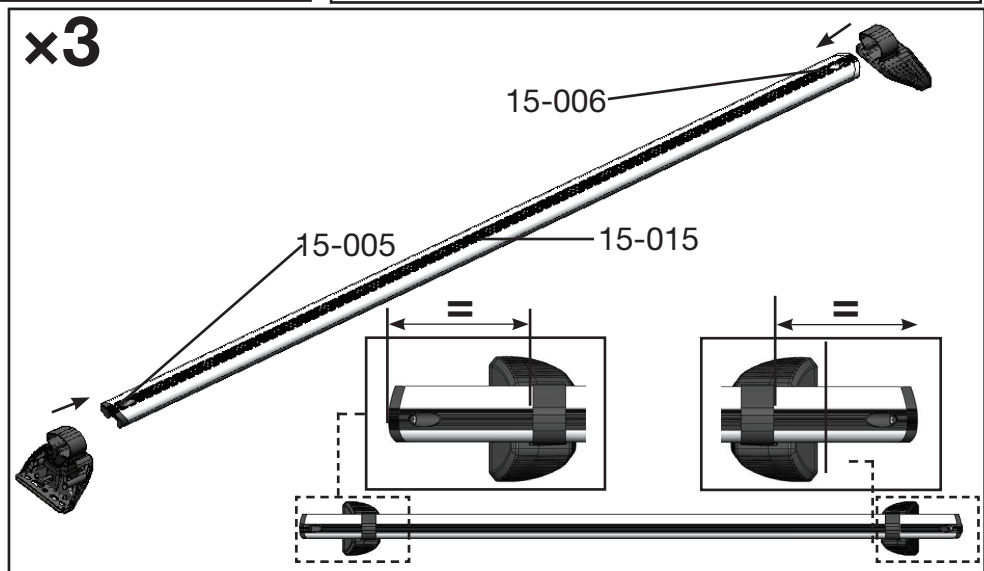
2. Install feet to 4 crossbars.

TOOLS

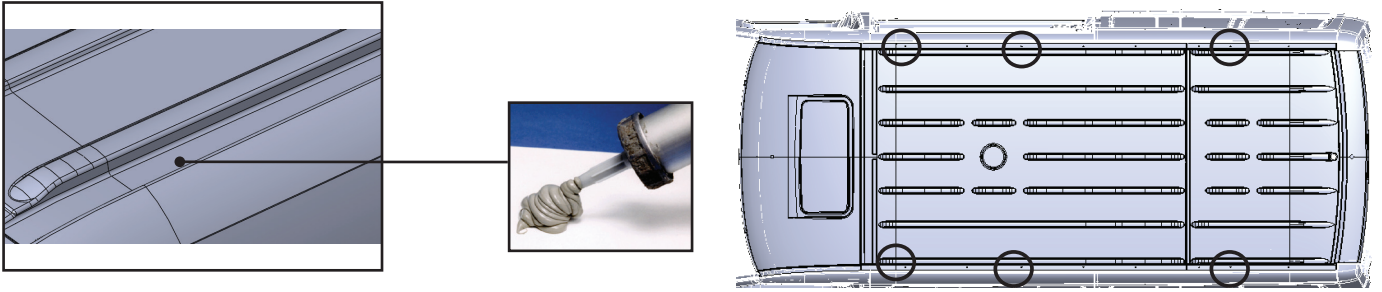
- 6mm Allen key



Loosen Bolt



3. Prepare roof mounting points by cleaning and applying silicone around each hole. Skip to step 4B if OEM mounting tracks are present.



4.A Mount feet to roof mounting points.

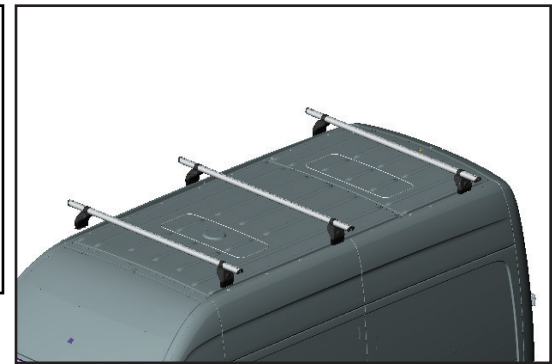
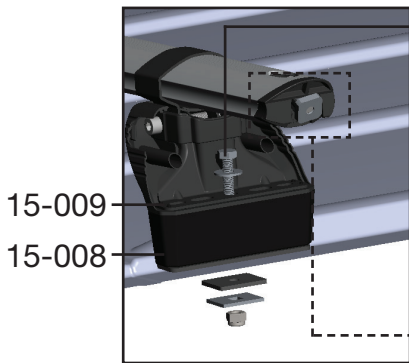
TOOLS

- 13mm Hex Socket
- Ratchet
- 13mm wrench

HARDWARE USED

6x (12 ft • lbs)

- #90-020 Hex Bolt
M8 x 1.25 x 75mm
- #98-129 M8 Flat Washer
- #99-009 Sprinter through Fitting
- #99-008 Sprinter OEM Rail Fitting
- #94-203 M8 Lock Nut

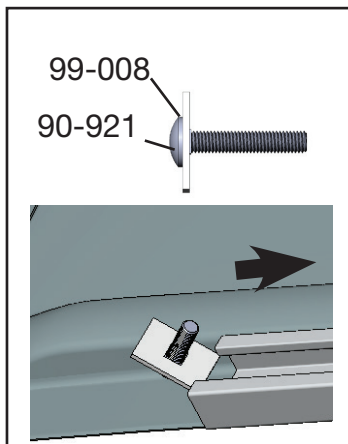


4.B Mount feet to OEM tracks. Use anti-sieze as required.

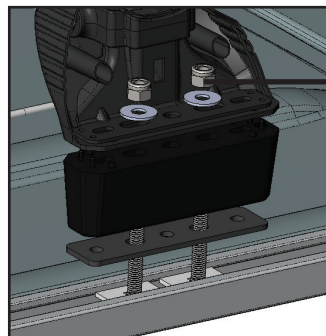
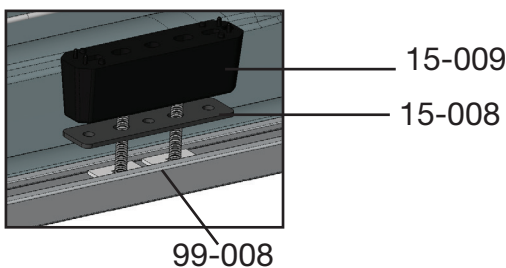
TOOLS

- 13mm Hex Socket
- Ratchet

12x



6x



HARDWARE USED

12x (12 ft • lb)

- #94-203 M8 Lock Nut

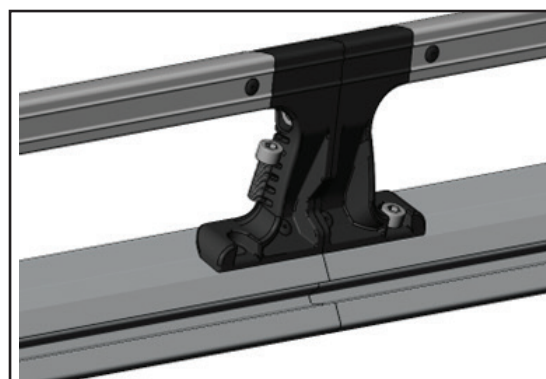
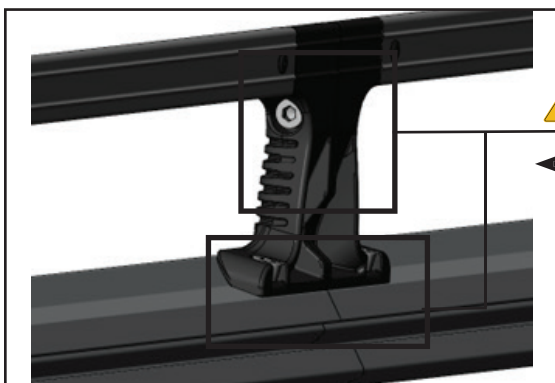
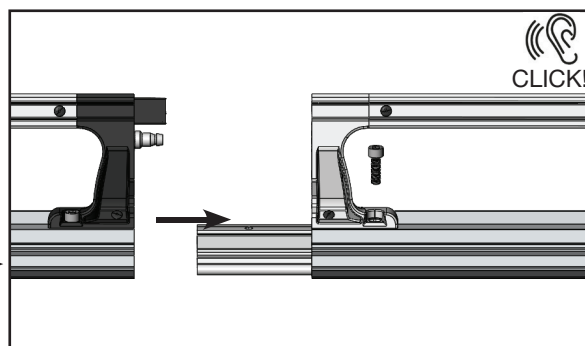
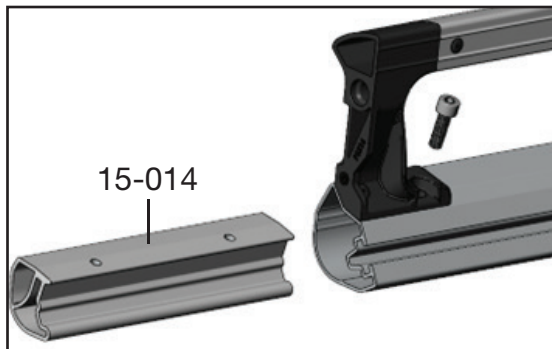
5. Assemble both side rails. Use anti-seize as required.

TOOLS

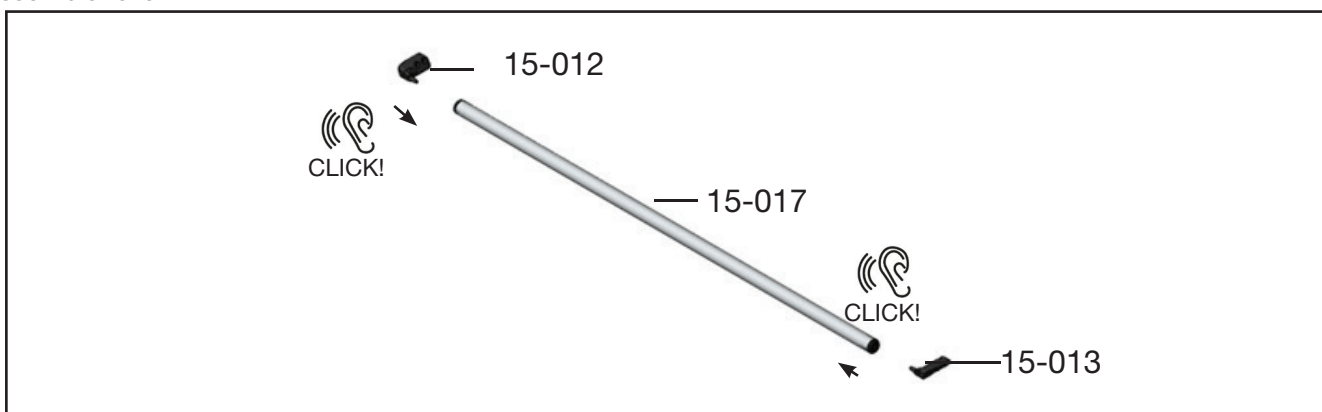
- ☐ Allen key 6mm

HARDWARE USED

8x (7 ft • lbs)



6. Assemble roller.



7. Install side rail connectors.



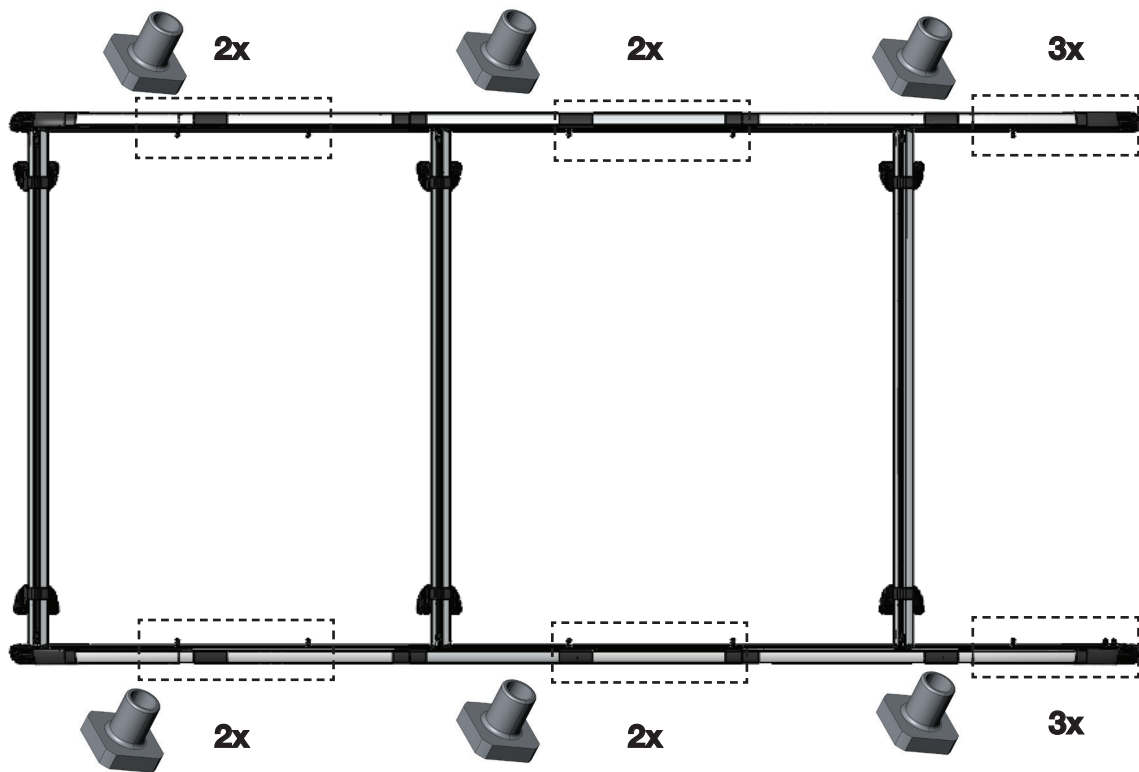
HARDWARE USED

20x

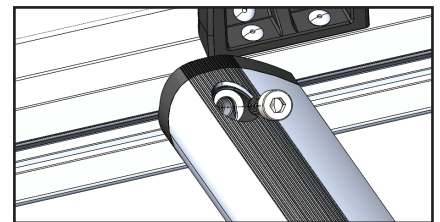
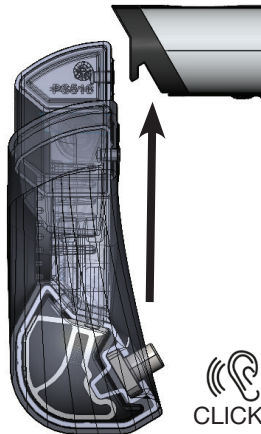
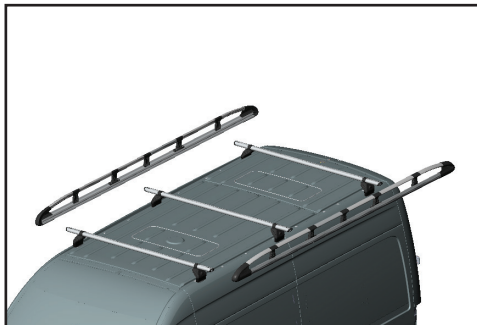


#99-010 Cargo+ Side Rail Connectors

8. Space out the side rail connectors.



9. Mount side rails to crossbars.



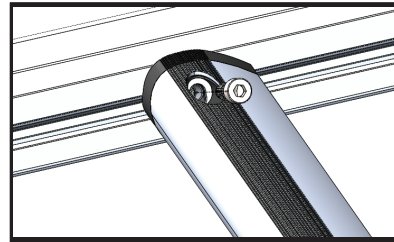
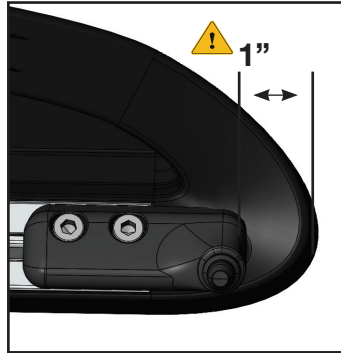
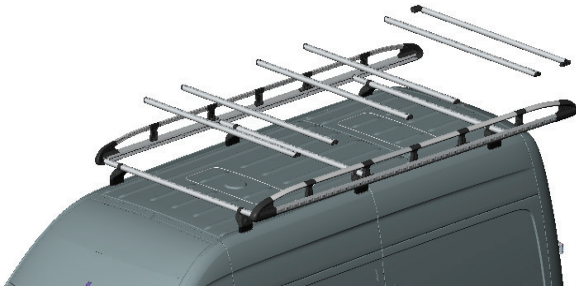
HARDWARE USED

6x (7 ft • lbs)



#90-003 Allen Socket
M8 x 25mm

10. Mount the roller and remaining crossbars, spread out evenly along the side rails.



HARDWARE USED
14x (7 ft • lbs)



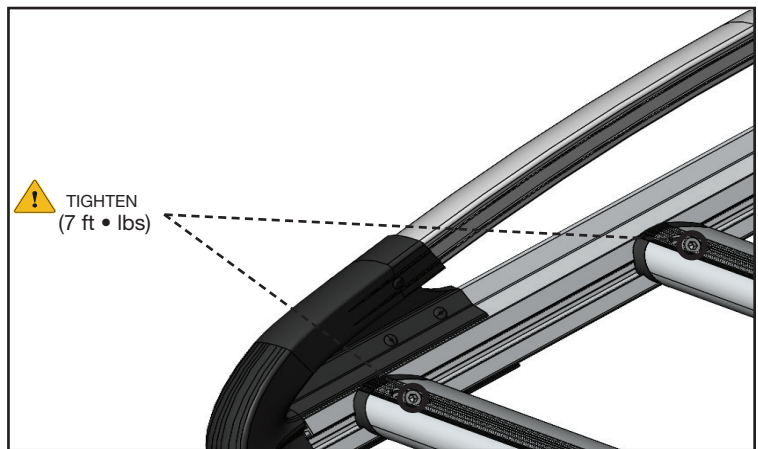
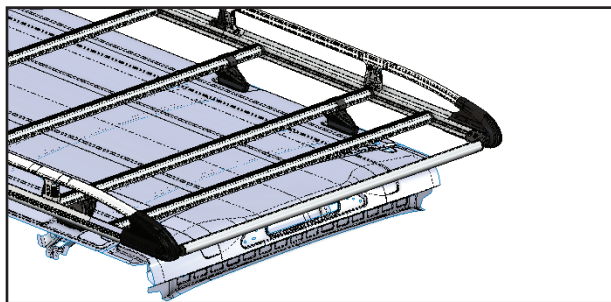
#90-003 Allen Socket
 M8 x 25mm

11. Tighten all crossbar bolts. Use anti-seize as required.

TOOLS

- 6mm Allen key

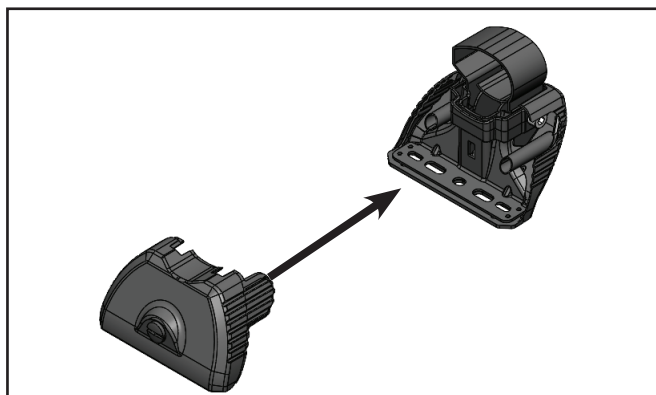
 Verify roller clears rear of van and camera



12. Re-attach foot cowl.

TOOLS

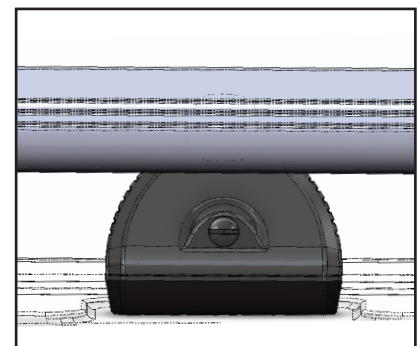
- Flat head screw driver



=



=



“You have successfully installed your Cargo +, thank you for doing business with us.”

For any feedback or suggestions, you may have, please contact: cs@rangerdesign.com