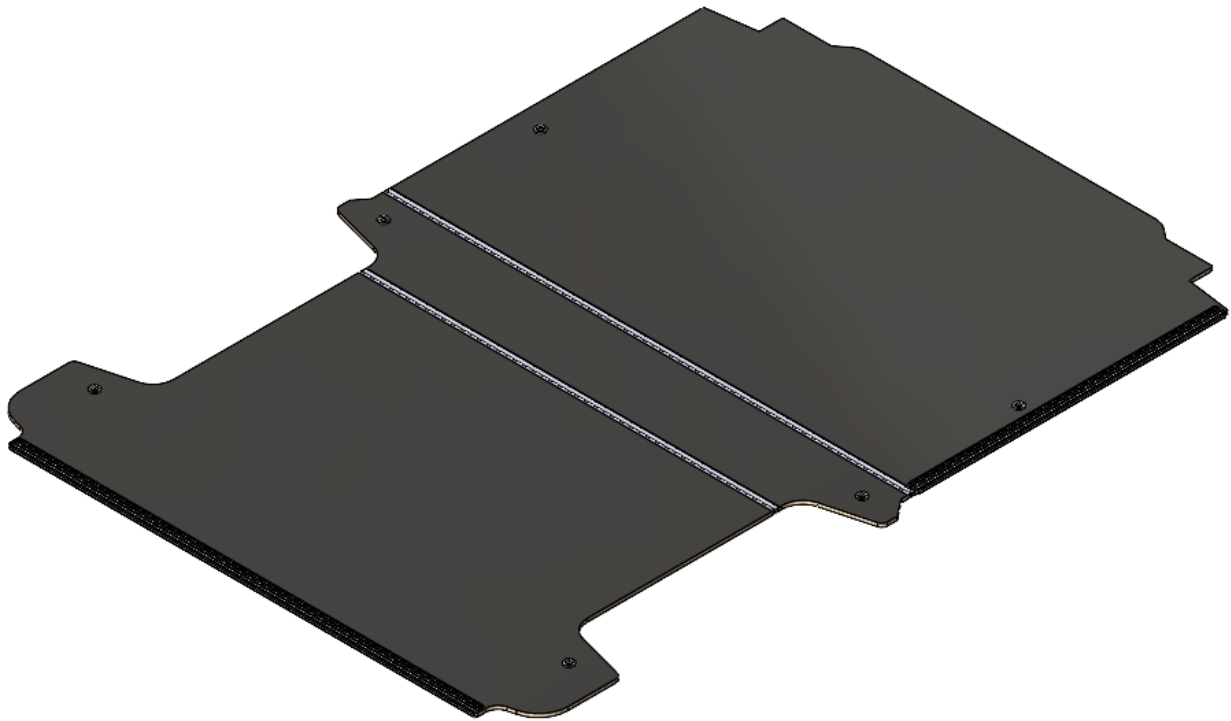
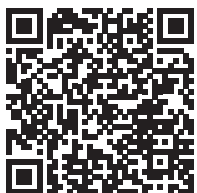


INSTALLATION GUIDE



6541-PS FLOOR

ProMaster (118" Wheelbase)



Scan the QR for the latest Install-Guide.





BEFORE YOU BEGIN

READ, UNDERSTAND, AND FOLLOW ALL WARNINGS AND INSTRUCTIONS BEFORE USING THIS PRODUCT. FAILURE TO FOLLOW THESE DIRECTIONS MAY RESULT IN PROPERTY DAMAGE, SERIOUS BODILY INJURY, AND/OR DEATH. RANGER DESIGN IS NOT RESPONSIBLE FOR ANY PROPERTY DAMAGE, PERSONAL INJURY, OR DEATH THAT OCCURRED WHILE USING ANY RANGER DESIGN PRODUCTS.



WARNING

- Failure to use Ranger Design-provided fasteners, brackets, and proper installation guidelines could increase risk of serious personal injury and/or death.
- If drilling is required to complete this installation: improper drilling can cause property damage to vehicles and could lead to electric shock, fire, or even death.
- If drilling is required to complete this installation: Ensure that drilling is only performed on areas of the vehicle allowed by the vehicle's Original Equipment Manufacturer's Body Builders Layout Book (or equivalent document).
- Prior to installation, inspect the vehicle to ensure that installation will not interfere with, or cause obstruction of, any critical components such as electrical wiring, fuel tanks, fuel-cells, locks, latches, etc.
- The installer or manufacturer is responsible for ensuring anchorages are installed onto suitable wall and floor structures; wall and floor strength must meet applicable performance requirements.
- Do not install systems into any weak or unsound materials such as plastics, woods, thin-walled metals, etc. without proper reinforcement.
- Do not install this product where it could interfere with the deployment of airbags. Failure to comply could result in death or serious injury.
- Do not install this product where it could ingress on the Transit Occupant Protection Zone. Failure to comply could result in death or serious injury.
- Incorrect installation could cause water leaks, electric shock or fire.
- Any cargo vehicle with any cargo or equipment options. (<https://rangerdesign.com/>)
- Mountings rails are recommended for any attachment. See Ranger Design website for some partition
- All items in the cargo area should be properly closed while the vehicle is in motion.
- Check your vehicle's tare weight and remaining load capacity with all the equipment installed. Never exceed the maximum Gross Vehicle Weight Rating (GVWR), Gross Axle Weight Ratings (GAWRs), or other maximum loads permitted by the vehicle's Original Equipment Manufacturer (OEM) and required by law.
- The heaviest items must be placed towards the bottom of the vehicle, while the lightest ones can be arranged upwards. Vehicle cargo loading weight proportion should follow the following guidelines:



CAUTION

- The final alterer and/ or modifier should review the warning sheet with the customer before the vehicle is released to the customer or for general use. These instructions should remain with the vehicles a all times.
- Any modification or unintended use of this product voids any warranty and could create a hazardous condition.
- Ranger Design provides recommended assembly and installation instructions which should be followed to ensure

QUICK START GUIDE

Phase 1 - Assembly

1.1 Setup..... 4

Phase 2 - Installation

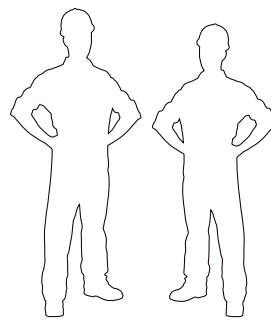
2.1 Install Preparation..... 6
 2.2 Floor Installation..... 6

Phase 3 - Add-ons

3.1 Typical Unit Installation..... 9

REQUIRED ITEMS

- Tape Measure
- Rubber Mallet
- Hex Key 5/16"
- Hex Key 4mm
- Hex Key 5mm
- Torx Key T45
- Socket 1/2"
- Wrench 1/2"
- Drill
- Drill Stop Collar
- Drill Bit 7/16"
- Marker

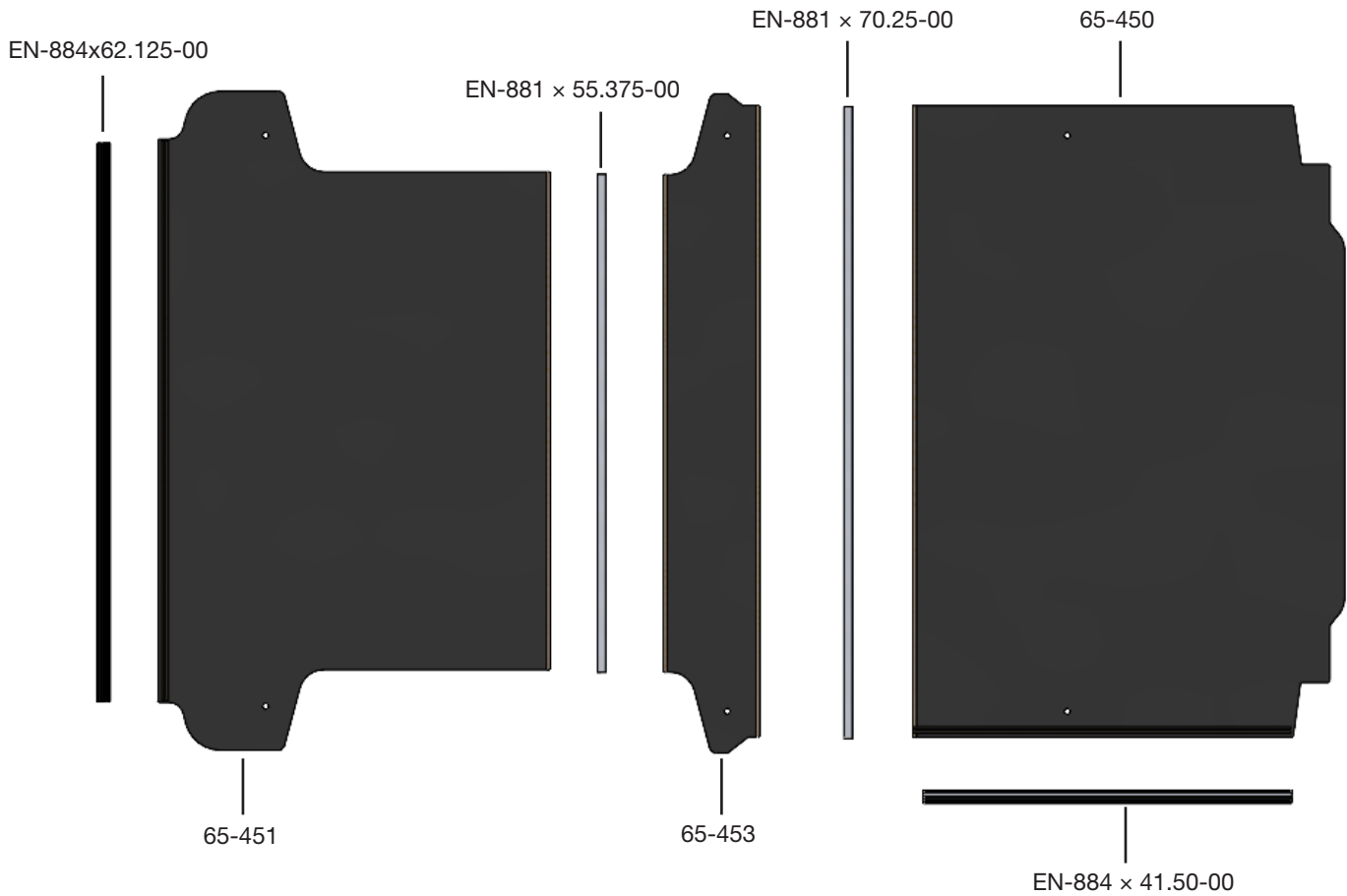


2
PERSONS

PHASE 1 – ASSEMBLY

1.1 SETUP

1.1.1 Unpack components; compare with the bill of materials.



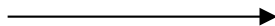
1.1.2 Verify all parts are present.

BILL OF MATERIALS

Item No.	Description	Qty.
65-450	Floor Panel (Front)	1
65-451	Floor Panel (Rear)	1
65-453	Floor Panel (Middle)	1
EN-881 × 55.375-00	H Beam Extrusion (55 - 3/8")	1
EN-881 × 70.25-00	H Beam Extrusion (70 - 1/4")	1
EN-884 × 41.50-00	Sill (Side, 41 - 1/2")	1
EN-884 × 62.125-00	Sill (Rear, 62 - 1/8")	1
96-6500	Install Fastener Kit	1
94-6503	Install Fastener Kit	1

1.1.3 Fastener kits.

96-6500 Fastener Kit



Fastener Install

30x



90-204

Hex Bolt
5/16"-18 x 3/4"
ZINC

30x



99-114

Wood Inserts
5/16"-18 x 13mm
ZINC

30x

	#90-204 Hex Bolt 5/16" x 3/4"
	#99-114 Wood Inserts 5/16"x13mm

94-6503 Fastener Kit



Fastener Install

6x



90-016

Socket Cap
M8-1.25 x 40mm
ZINC

2x



90-023

Guide Pin
M8-1.25 x 45mm

6x



98-146

Spacer
0.375" ID, 1" OD, 0.313"
Thick Nylon

6x



98-169

Over size Flat Washer
5/16", O.D. 1-1/4"
ZINC

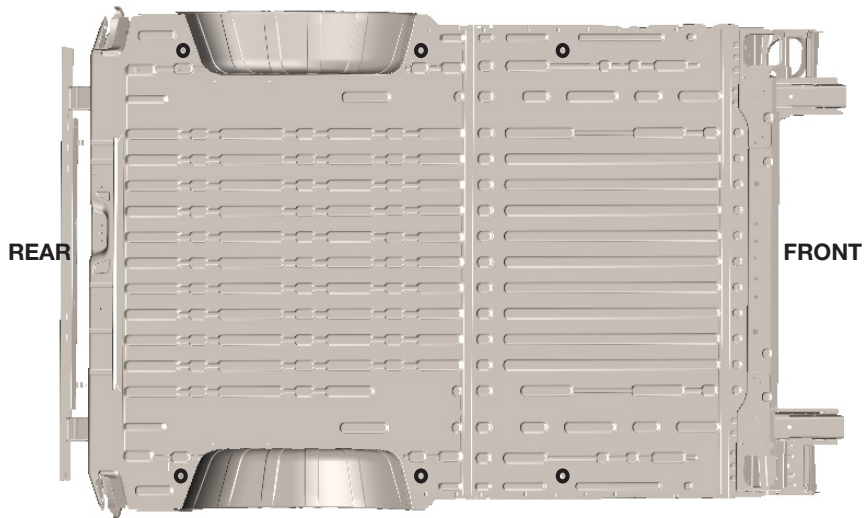
6x

	#90-016 Socket Cap M8-1.125" x 40mm
	#98-169 Flat Washer
	#98-146 Nylon Spacer

PHASE 2 – INSTALLATION

2.1 INSTALL PREPARATION

2.1.1 Remove all the D-rings on the floor.



TOOLS

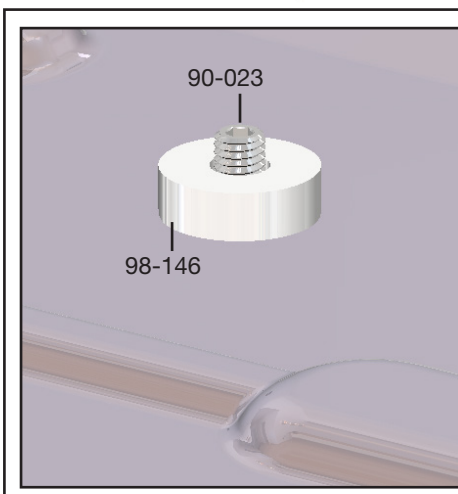
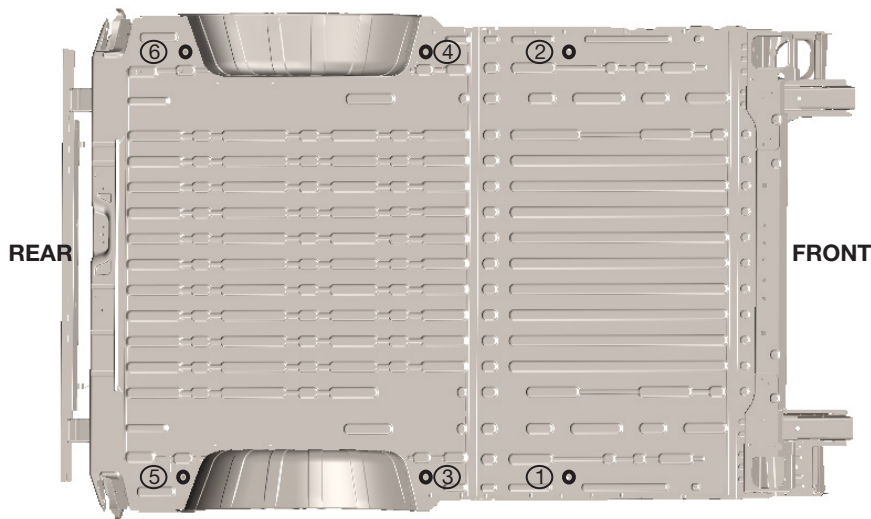
- Torx Key T45

NOTE: Set aside for future steps.

PHASE 2 – INSTALLATION

2.2 FLOOR INSTALLATION

2.2.1 Place guide-pin & spacers in locations 1 & 2.





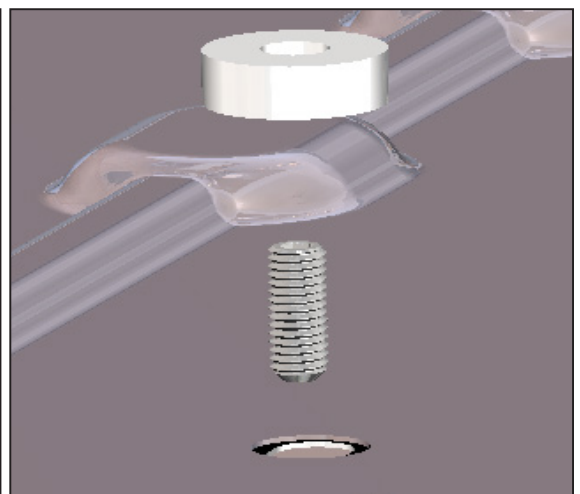
Guide pin (90-023) does not need to be fully threaded. This is to prevent the spacers from moving when installing the floor.

TOOLS

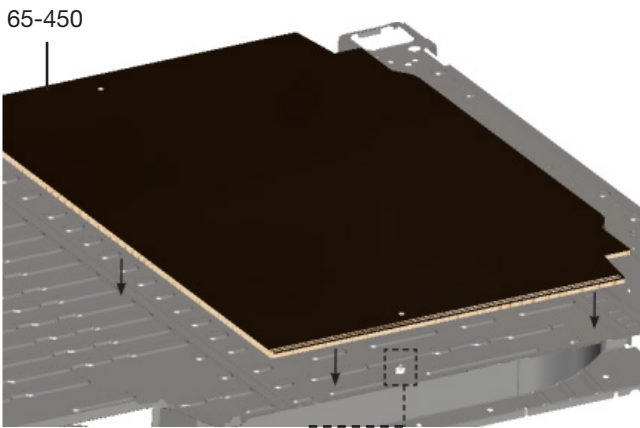
- Hex Socket

HARDWARE USED 2X

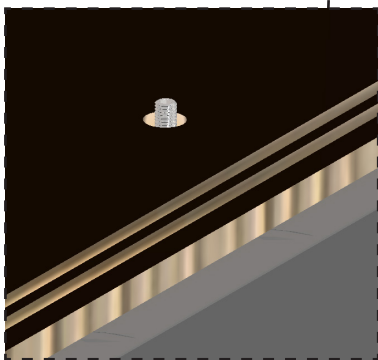
-  #90-023 Guide pin
-  #98-146 Spacer



2.2.2 Place floor, remove Pins, add Hardware &

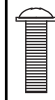



Remove guide pins and set aside for future steps.

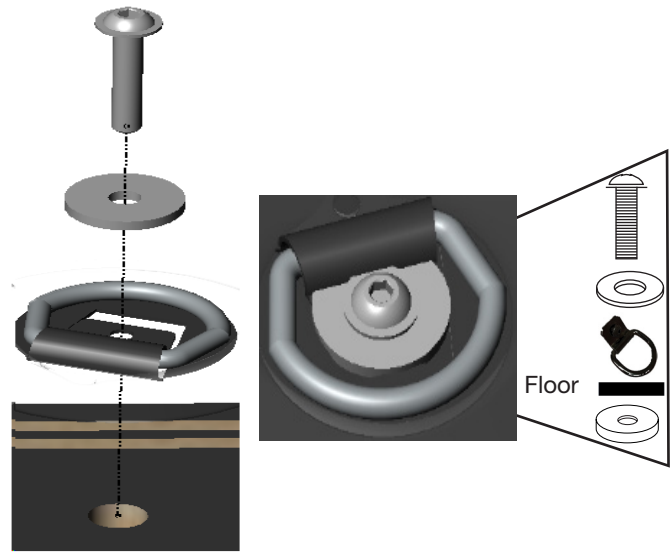


Install hardware provided with the OEM D-Rings to hold the floor panel in place. Tighten bolts to 11ft-lbs. Repeat step 2.2.2 for subsequent floor panels.

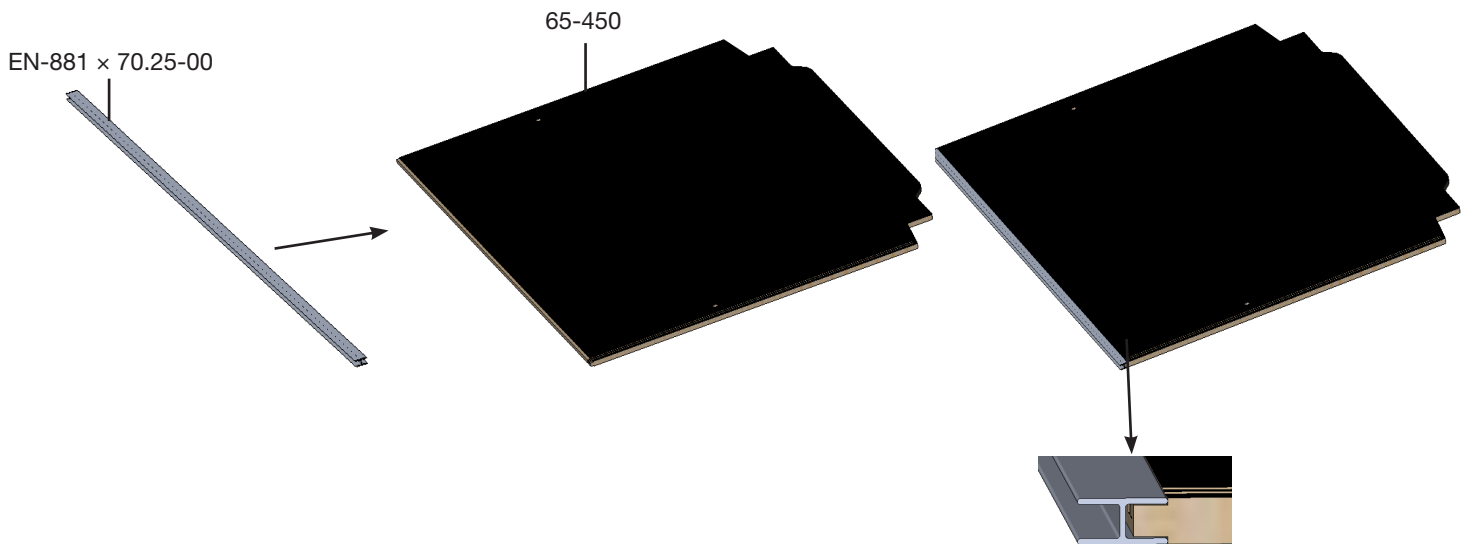
HARDWARE USED 2x

-  #90-016
M8-1.25 x
-  #98-169
Flat Washer
Steel

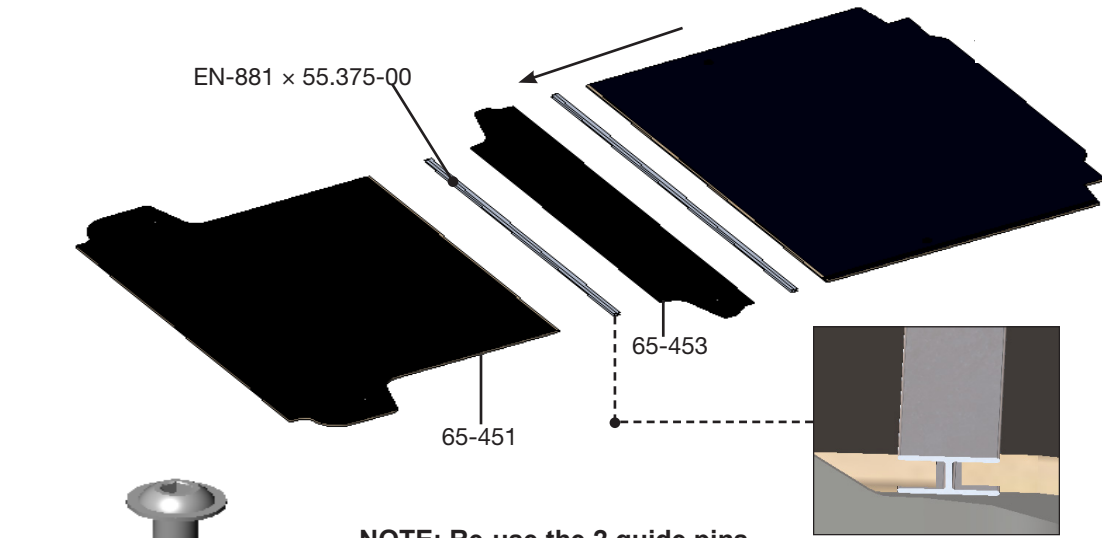
TOOLS
□ 5mm hex key



2.2.3 Install "H" beam to first floor piece.






2.2.4 Repeat steps 2.2.1 to 2.2.3 for the remainder of the floor pieces.





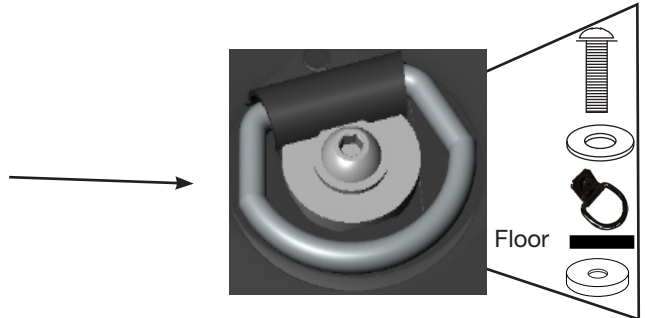
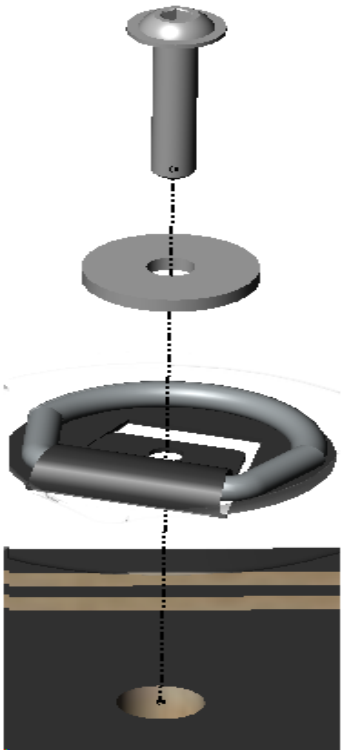
NOTE: Re-use the 2 guide pins.

HARDWARE USED 4x

-  #90-016
M8-1.25 x
-  #98-169
Flat Washer
-  #98-146 Spacer

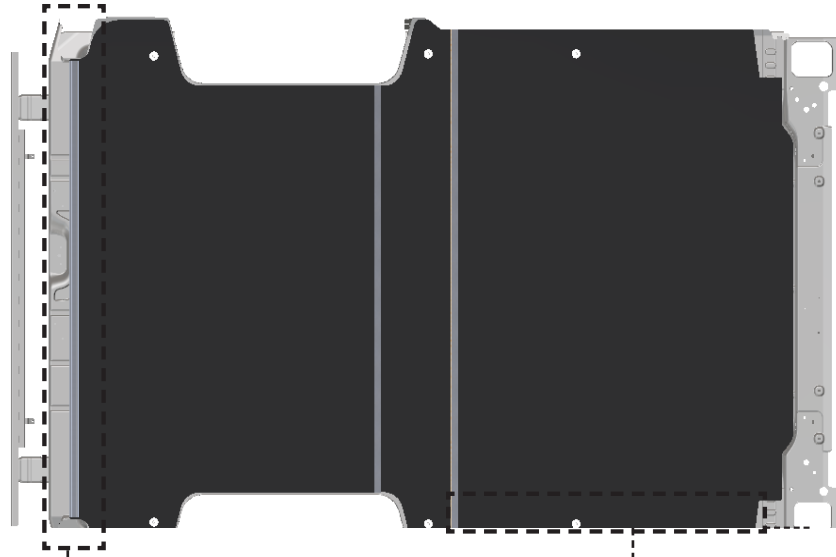
TOOLS

-  4mm Hex Key
-  5mm Hex Key

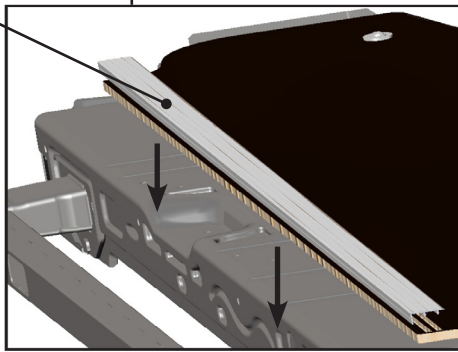


NOTE: Tighten bolts to 11ft-lbs.

2.2.5 Install FRONT & REAR sill extrusion.



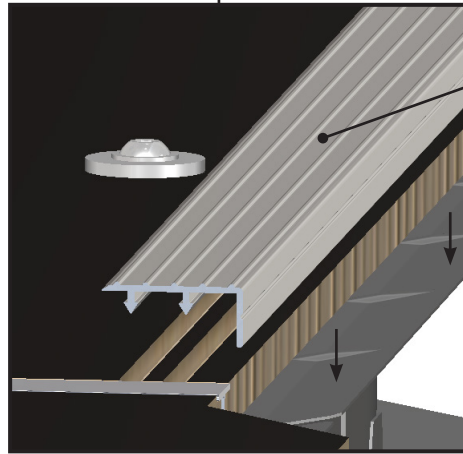
EN-884 x 62.125-



FRONT & REAR SILL INSTALLATION

TOOLS

- Rubber Mallet



EN-884 x 41.50-00

NOTE: Line up sill extrusion correctly before pressing it in. Use rubber mallet when needed.

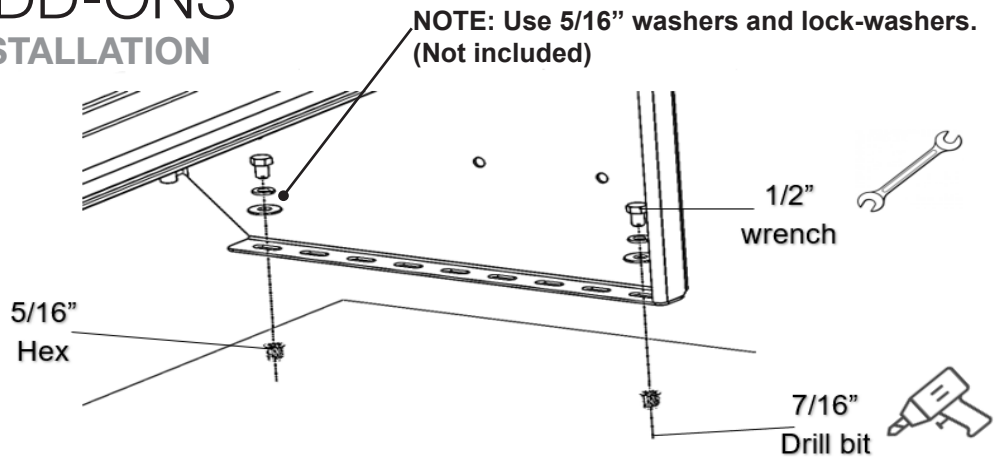
PHASE 3 – ADD-ONS

3.1 TYPICAL UNIT INSTALLATION

- | | |
|--|------------------------------------|
| | #90-204 Hex Bolt
5/16" x 3/4" |
| | #99-114 Wood Inserts
5/16"x13mm |
| | Floor |

TOOLS

- Hex Key 5/16"
- Drill
- Drill Stop Collar
- Drill Bit 7/16"
- Wrench 1/2"



"You have successfully installed your 6541-PS, thank you for doing business with us."

For any feedback or suggestions, you may have, please contact: cs@rangerdesign.com