

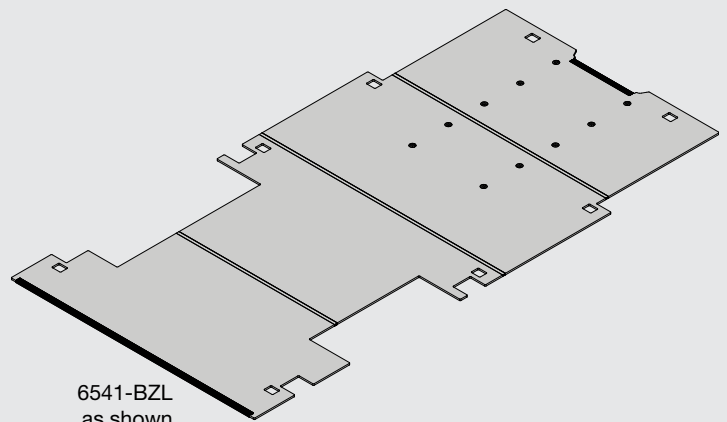
Owner's Manual

6541-BZL

This Owner's Manual provides assembly, install and user guidance. It applies to all **6541-BZL** sold by Ranger Design. For a list of compatible models, visit our website at rangerdesign.com.

Contents

| | |
|-------------------------------------|-----------|
| Warnings..... | 2 |
| Parts Included..... | 3 |
| Tools Required (Not Included) | 4 |
| Installation..... | 5 |
| Add-on Installation.. | 11 |



6541-BZL
as shown



Scan the QR code for the latest Installation Guide. For more information, visit rangerdesign.com.



Warnings

READ, UNDERSTAND, AND FOLLOW ALL WARNINGS AND INSTRUCTIONS BEFORE USING THIS PRODUCT. FAILURE TO FOLLOW THESE DIRECTIONS MAY RESULT IN PROPERTY DAMAGE, SERIOUS BODILY INJURY, AND/OR DEATH. RANGER DESIGN IS NOT RESPONSIBLE FOR ANY PROPERTY DAMAGE, PERSONAL INJURY, OR DEATH THAT OCCURS WHILE USING ANY RANGER DESIGN PRODUCTS.

THE FINAL ALTERER AND/OR MODIFIER SHOULD REVIEW THE WARNING SHEET WITH THE CUSTOMER BEFORE THE VEHICLE IS RELEASED TO THE CUSTOMER FOR GENERAL USE. THESE INSTRUCTIONS SHOULD REMAIN WITH THE VEHICLE AT ALL TIMES.

WARNINGS – Prior To Starting

- Ranger Design products must be assembled and installed by individuals qualified to use the tools required and have experience with similar products. If there is any question as to competence or experience, please contact a professional alterer or modifier.
- Failure to use Ranger Design-provided fasteners, brackets, and proper installation guidelines could increase risk of serious personal injury and/or death.
- Prior to installation, inspect the vehicle to ensure that installation will not interfere with, or cause obstruction of, any critical components such as electrical wiring, fuel tanks, fuel cells, locks, latches, etc.
- The final alterer and/or modifier is responsible for ensuring all equipment is sufficiently secured to wall and floor structures or suitable anchorages.
- Do not install systems into any weak or unsound materials such as plastics, woods, thin-walled metals, etc., without proper reinforcement.
- Do not install this product where it could interfere with the deployment of airbags. Failure to comply could result in death or serious injury.
- Do not install this product where it could ingress on the Vehicle Occupant Protection Zone. Failure to comply could result in death or serious injury.
- Incorrect installation could cause water leaks, electric shock, or fire.
- Any cargo vehicle with any cargo or equipment should use a certified partition which can be found on the Ranger Design website. (<https://rangerdesign.com>)
- Mounting rails and floors are strongly recommended for any attachment to the vehicle and can be found on the Ranger Design website. (<https://rangerdesign.com>)
- Any modification or unintended use of this product voids any warranty and could create a hazardous condition.
- Ranger Design provides recommended assembly and installation instructions which must be followed to ensure correct operation. Failure to do so could invalidate the product's compliance and/or warranty and cause injury.
- The final stage vehicle alterer and/or modifier is responsible for the integration, installation, and compliance of the product in its final location with all applicable regulations and standards. Failure to maintain compliance of the vehicle with applicable regulations and standards could be punishable by law. Alterers and/or modifiers should consult with all local authorities prior to commissioning.

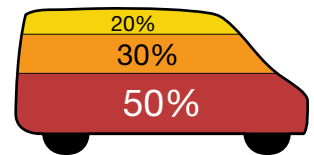
- Any materials, padding, or glazing installed in the vehicle must comply with FMVSS/CMVSS 201/205/302, as applicable.

WARNINGS – Prior To Drilling

- Improper drilling can cause property damage to vehicles and could lead to electric shock, fire, or even death.
- Ensure that drilling is only performed on areas of the vehicle allowed by the vehicle's Original Equipment Manufacturer's Body Builders Layout Book (or equivalent document).
- Ensure that you will not hit any critical parts of the vehicle like the gas tank, wiring harnesses, or hoses. Consult the vehicle's OEM documentation as necessary. When drilling, use a drill collar to reduce the risk of damage to the vehicle.


WARNINGS – Prior To Operating Vehicle

- The heaviest items must be placed towards the bottom of the vehicle, while the lightest ones can be arranged upwards. Vehicle cargo loading weight proportion should follow the guidelines shown here.
- Check your vehicle's tare weight and remaining load capacity with all equipment installed. Never exceed the maximum Gross Vehicle Weight Rating (GVWR), Gross Axle Weight Ratings (GAWRs), or other maximum loads permitted by the vehicle's Original Equipment Manufacturer (OEM) and required by law.
- All items in the cargo area should be properly secured and partition doors closed while the vehicle is in motion.
- All system components should be regularly inspected, cleaned, and maintained pursuant to Ranger Design guidelines.



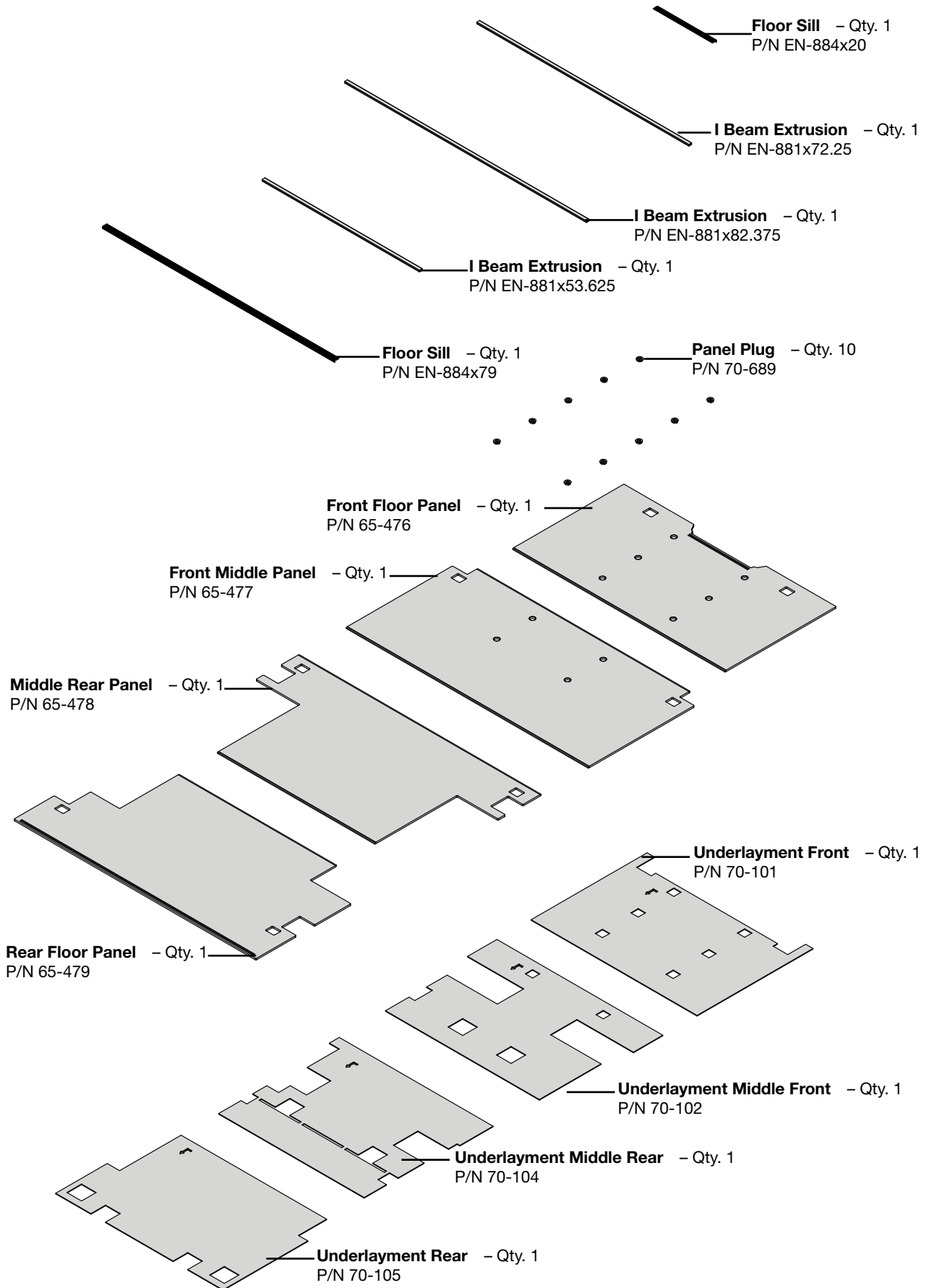
WARNING – In Event Of An Accident

- In the event of a motor vehicle accident or collision where a Ranger Design system has been installed, especially ones where the vehicle's structure has been damaged and/or the air bags have deployed and/or the vehicle has been towed, the system must be inspected to ensure continued soundness and safety before returning the vehicle to service. Damaged components should be replaced as necessary.

 FR: Si vous avez besoin de ces instructions en français, s'il vous plait contacter notre service à la clientèle. +1-800-565-5321

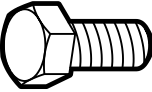
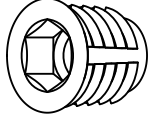
 ES: Si necesita estas instrucciones en español, comuníquese con el Servicio de atención al cliente de Ranger Design. +1-800-565-5321

Parts Included



Parts Included

Fastener Kit Content

| Part | P/N & Description | P/N 96-6500 Qty. |
|--|---|------------------|
|  | P/N 90-204 Hex Bolt 5/16"-18 x 3/4" GR-5 ZINC | 30 |
|  | P/N 99-114 Hex Insert 5/16-18 x 13mm" ZINC | 30 |

Tools Required (Not Included)

- Cordless Impact Driver
- Rubber Mallet
- Tape Measure
- 7/16" Drill Bit
- Power Drill
- 1/2" Wrench
- Marker
- Drill Stop Collar
- 5/16" Hex Bit
- #50 Torx Bit

Installation

STEP 1 Remove OEM floors.

- a. Start by removing the OEM floor,



- b. Keep all fasteners and hardware for reuse later in the process.



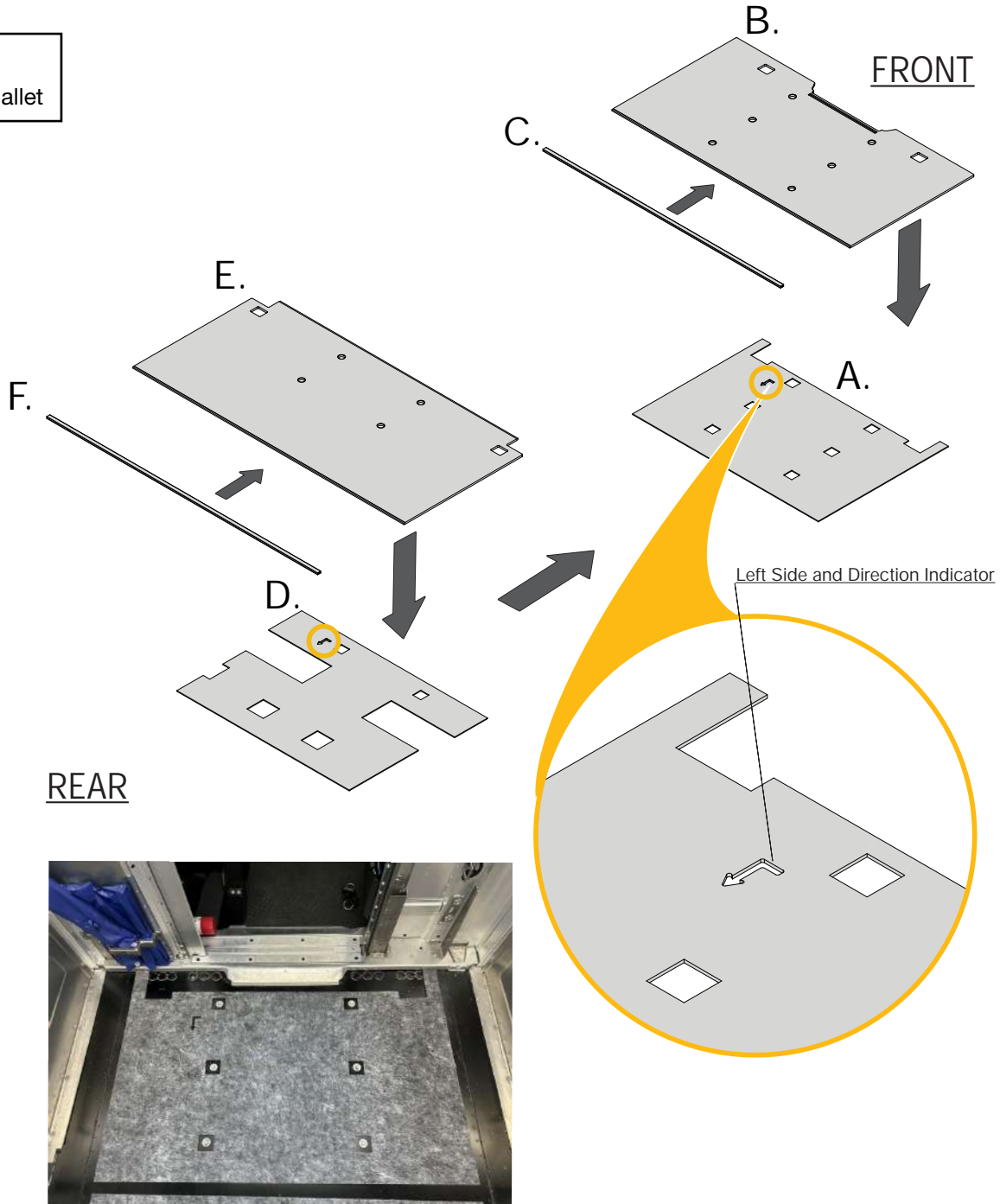
Installation

STEP 2 Front and Middle Front Floor installation.

- a. Install Front underlayment.
- b. Install Front floor panel.
- c. Install I-Beam.
- d. Install Middle-Front underlayment.
- e. Install Middle-Front panel.
- f. Install I-Beam.

TOOLS

- Rubber Mallet



Installation

STEP 3 Middle Rear and Rear installation .

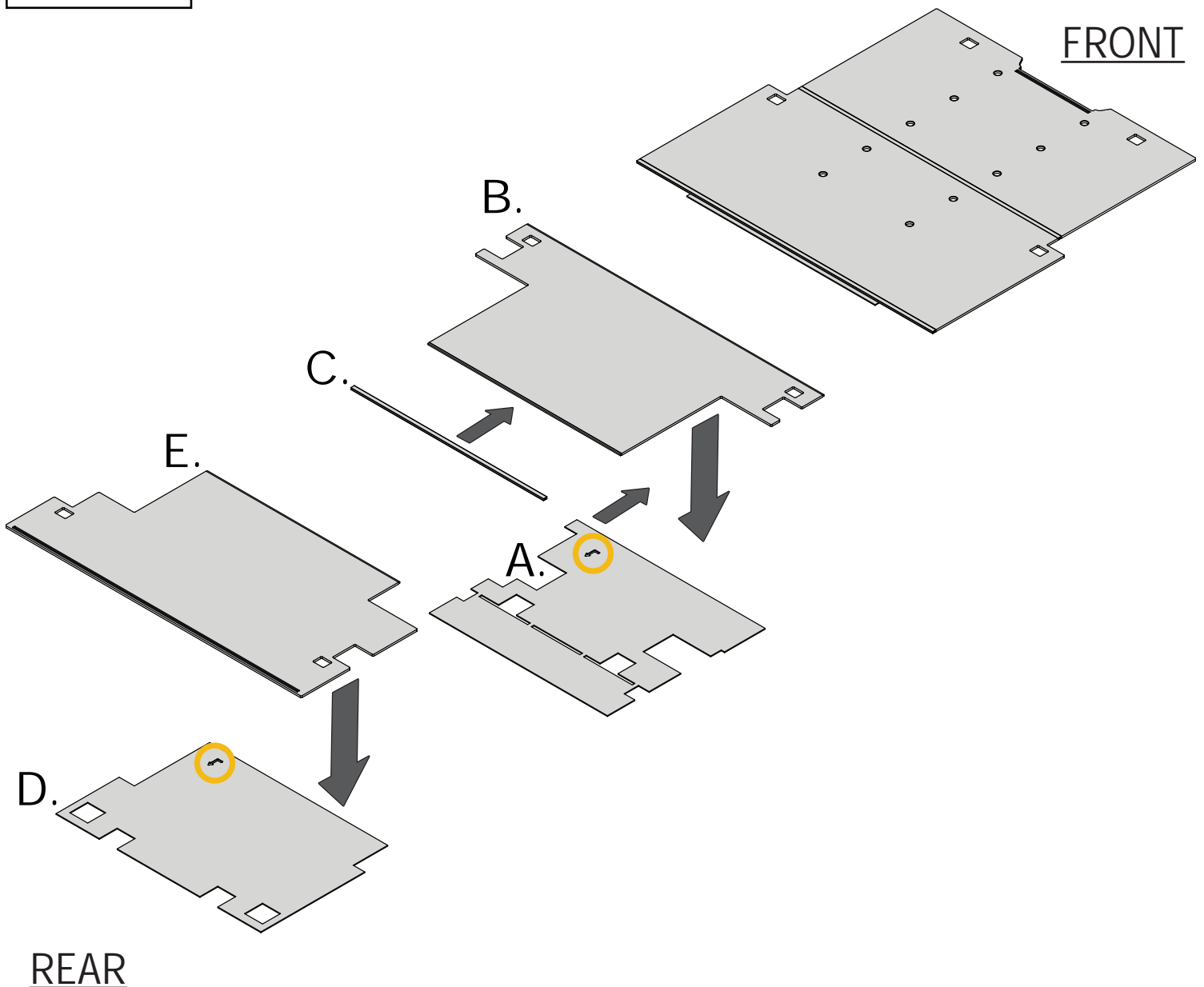
NOTE:

- Underlayment placement should be seamlessly connected from edge to edge.

- Install Middle-Rear underlayment.
- Install Middle-Rear floor panel.
- Install I-Beam.
- Install Rear underlayment.
- Install Rear panel.

TOOLS

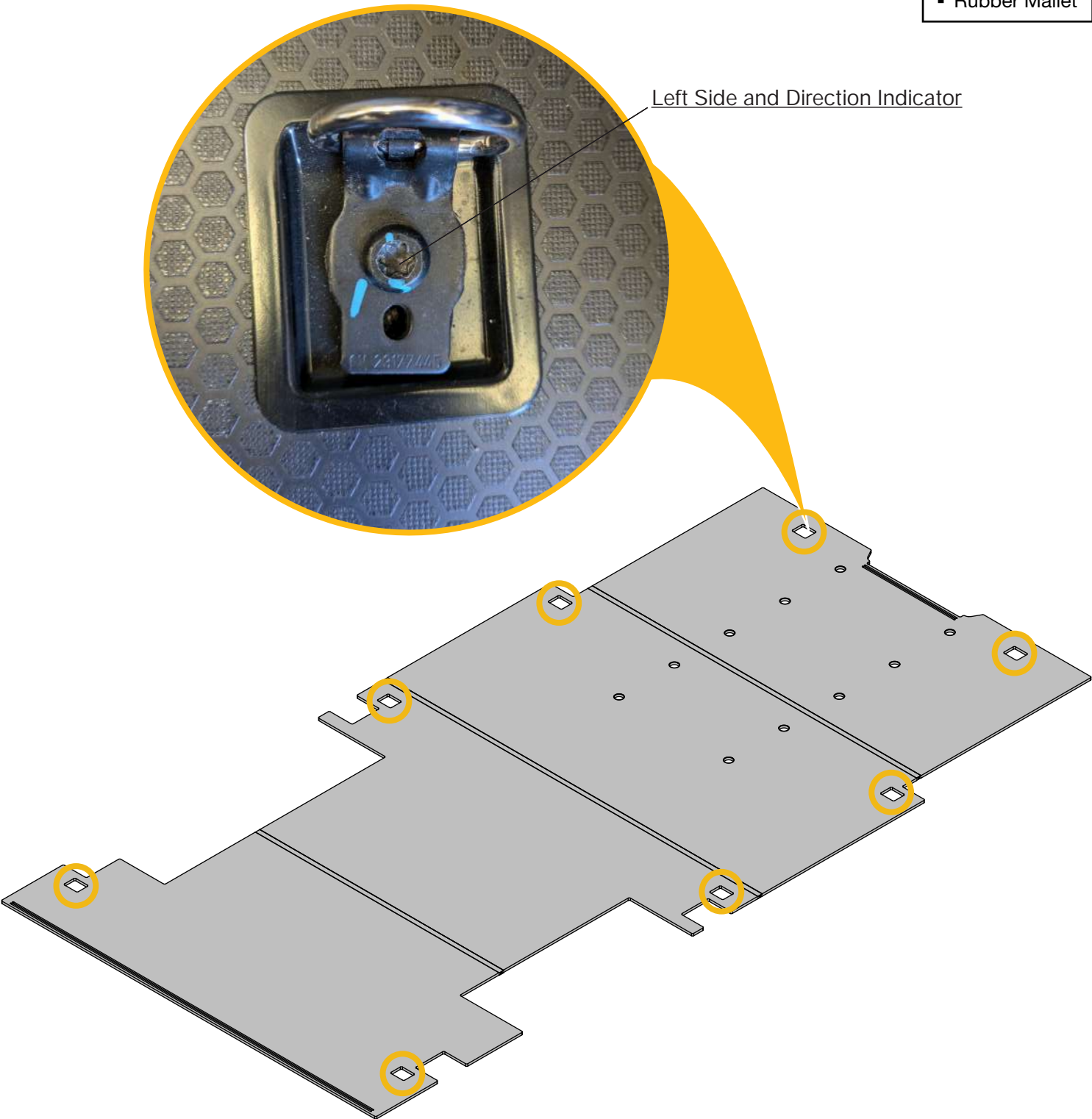
- Rubber Mallet



Installation

STEP 4 Install OEM D-Rings to the floor.

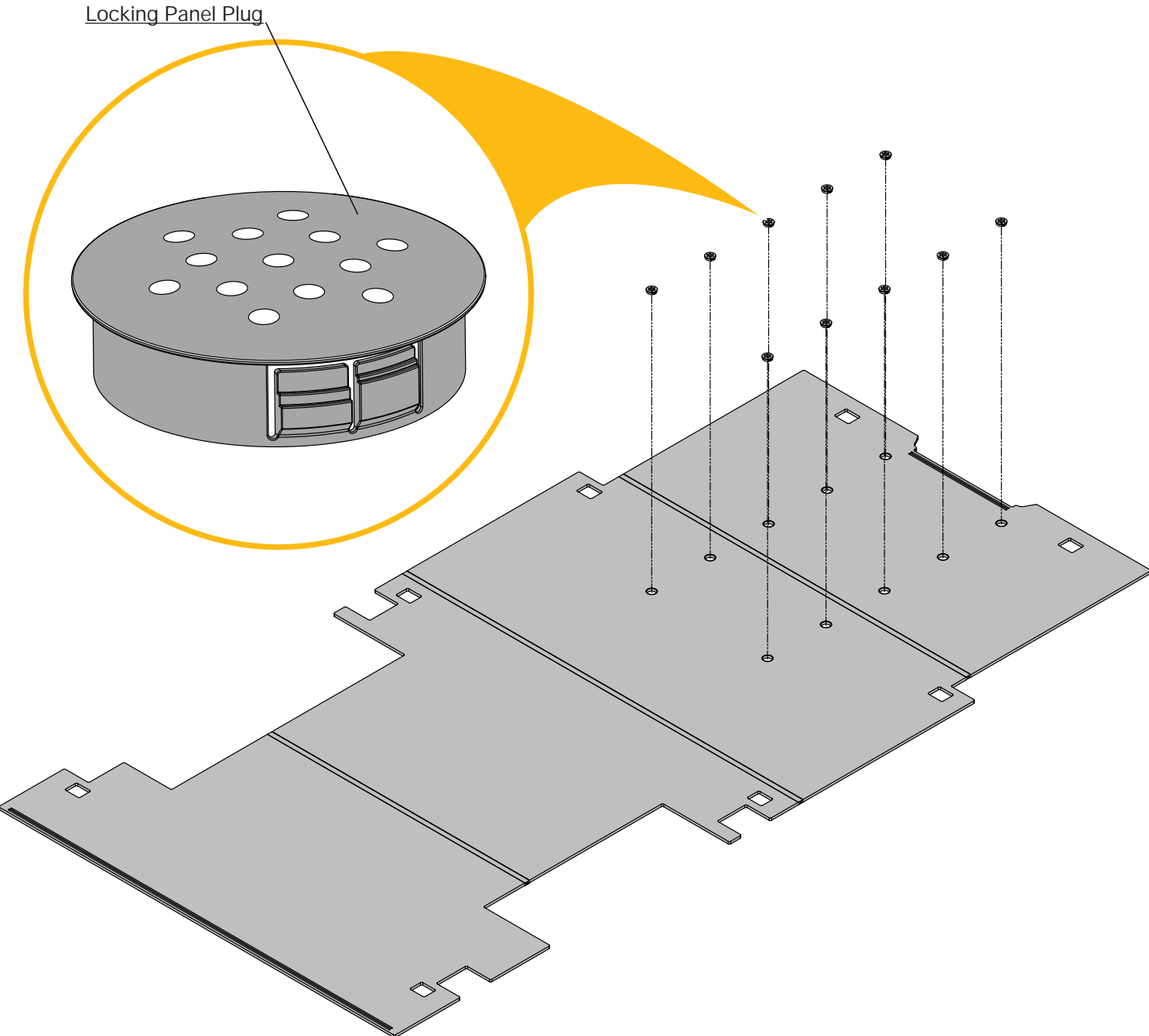
- TOOLS**
- Rubber Mallet



Installation

STEP 5 Install locking panel plugs .

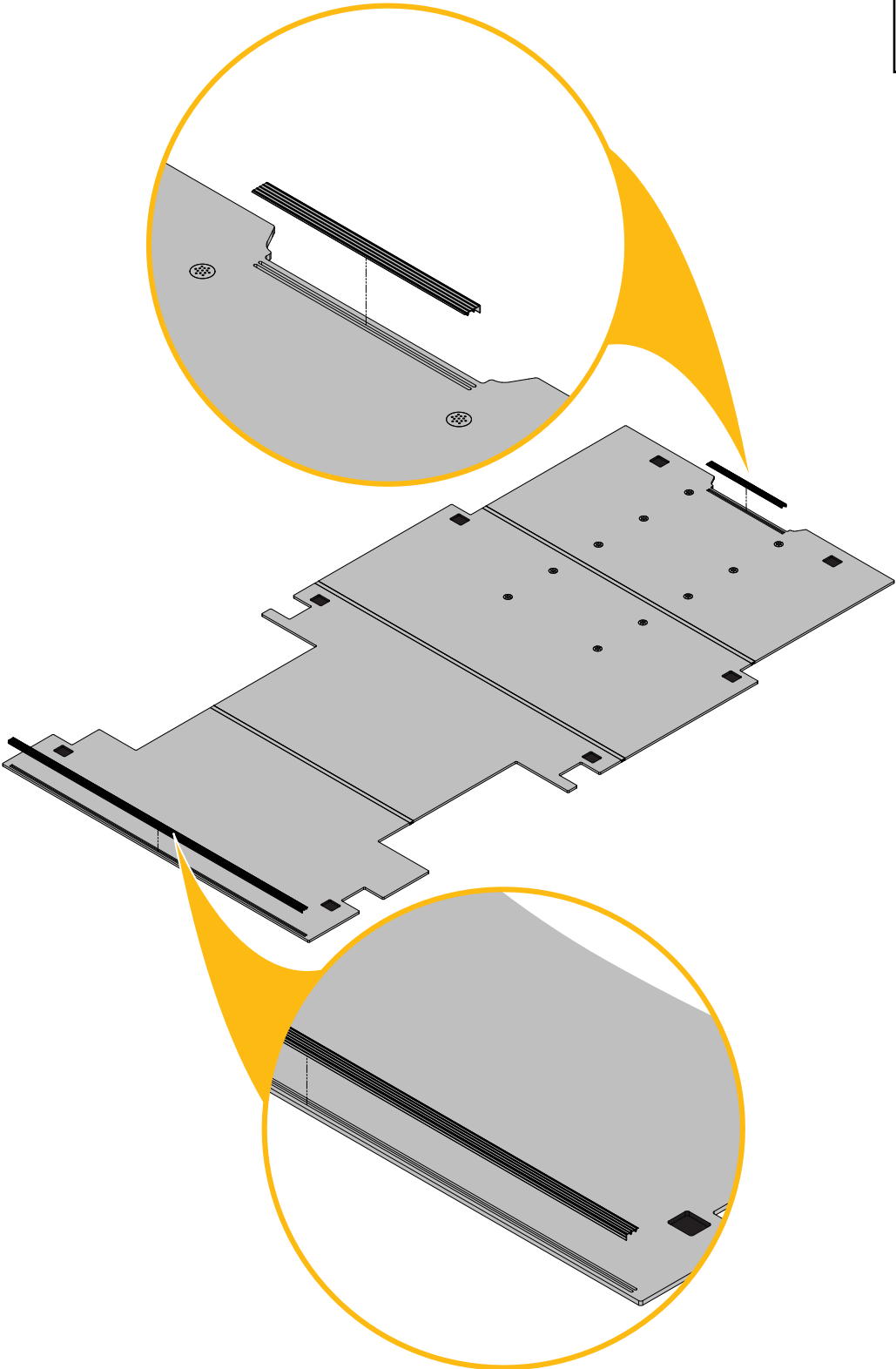
TOOLS
▪ Rubber Mallet



Installation

STEP 6 Install front and rear sills.

- TOOLS**
- Rubber Mallet



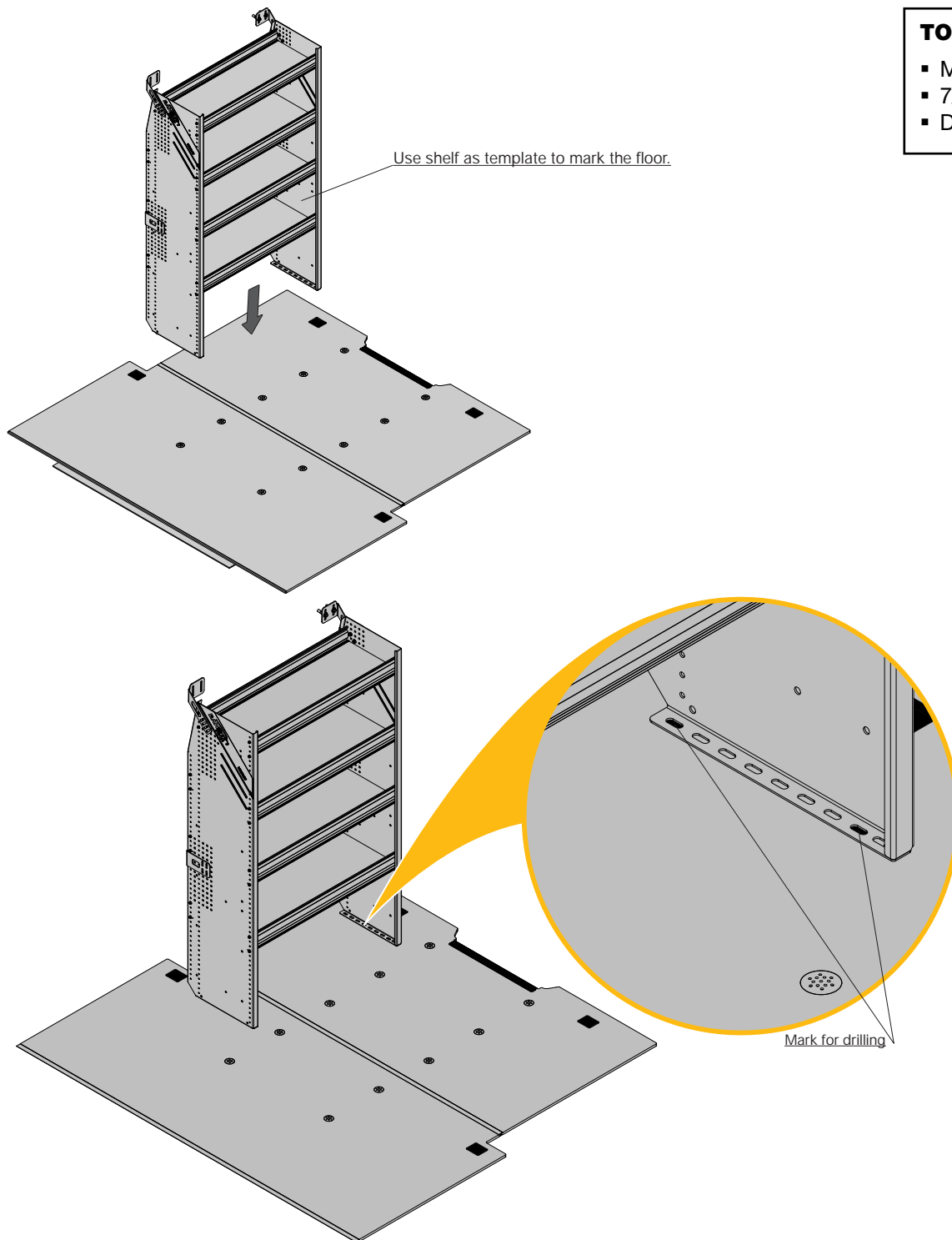
Add-on Installation

NOTE:

- For add-ons to the floor (Not included in floor purchase).

STEP 7 Use add-on part as template.

- a. Use add-ons as template for marking.
- b. Use a marker and drill a 7/16" hole for wood inserts.



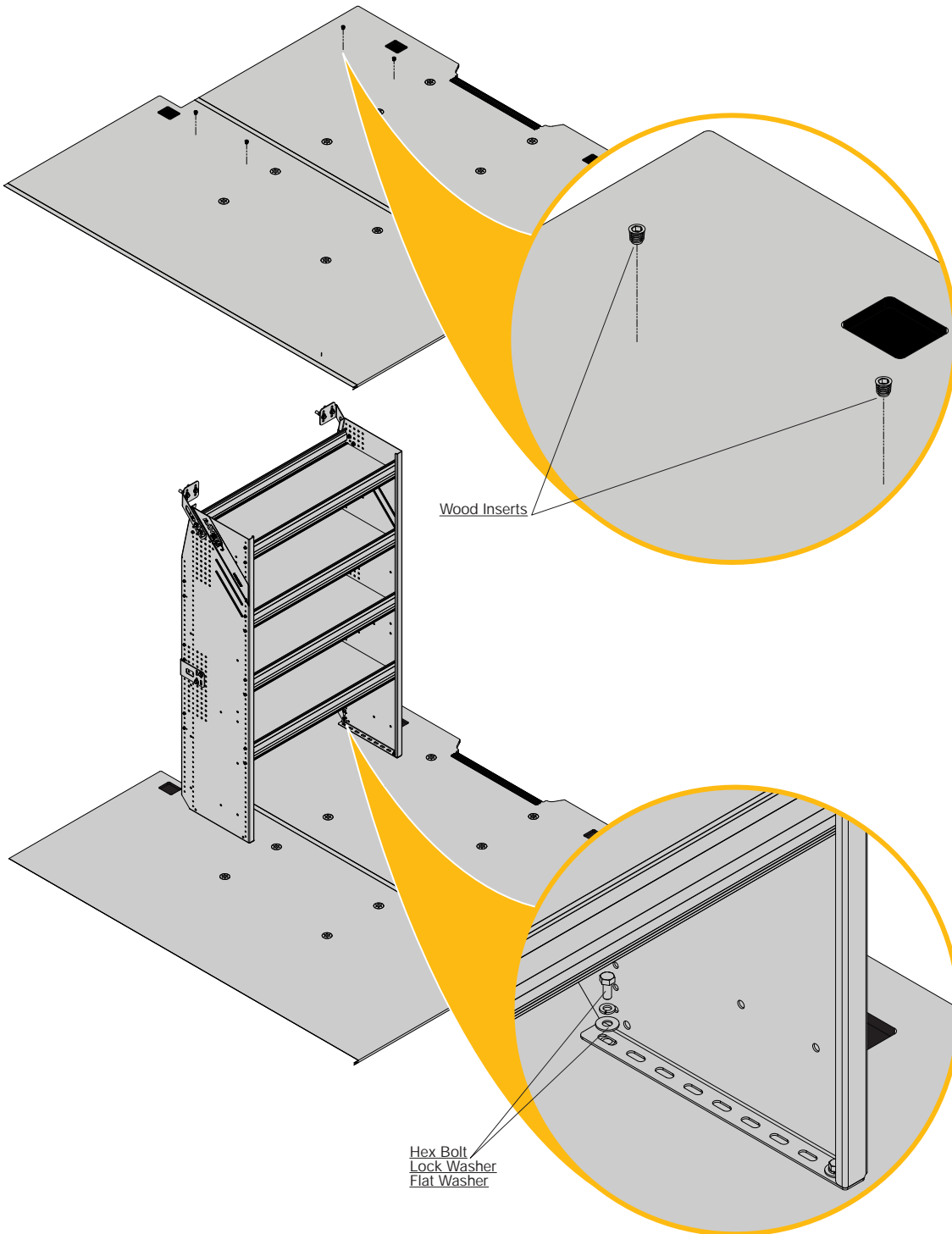
Add-on Installation

STEP 8 Install wood inserts with ranger provided hardware for installation.

- a. Install wood inserts to floor.
- b. Use Ranger provided hardware to install add-on unit/s.

NOTE:

- Lock washers and flat washers are available from add on hardware bag.



TOOLS

- 5/16" Hex
- 1/2" Wrench
- 1/2" Socket
- Impact Driver



**Torque to
12 ft-lbs.**



**You have successfully assembled and installed your
BrightDrop E-Floor.**

Thank you for doing business with us.

For technical support, contact us at 1-800-565-5321.

**For any feedback or suggestions you may have,
please contact cs@rangerdesign.com.**

Copyright © 2024

All rights reserved. This manual or any portion thereof may not be reproduced or used in any manner whatsoever without the express written permission of Ranger Design, Inc.