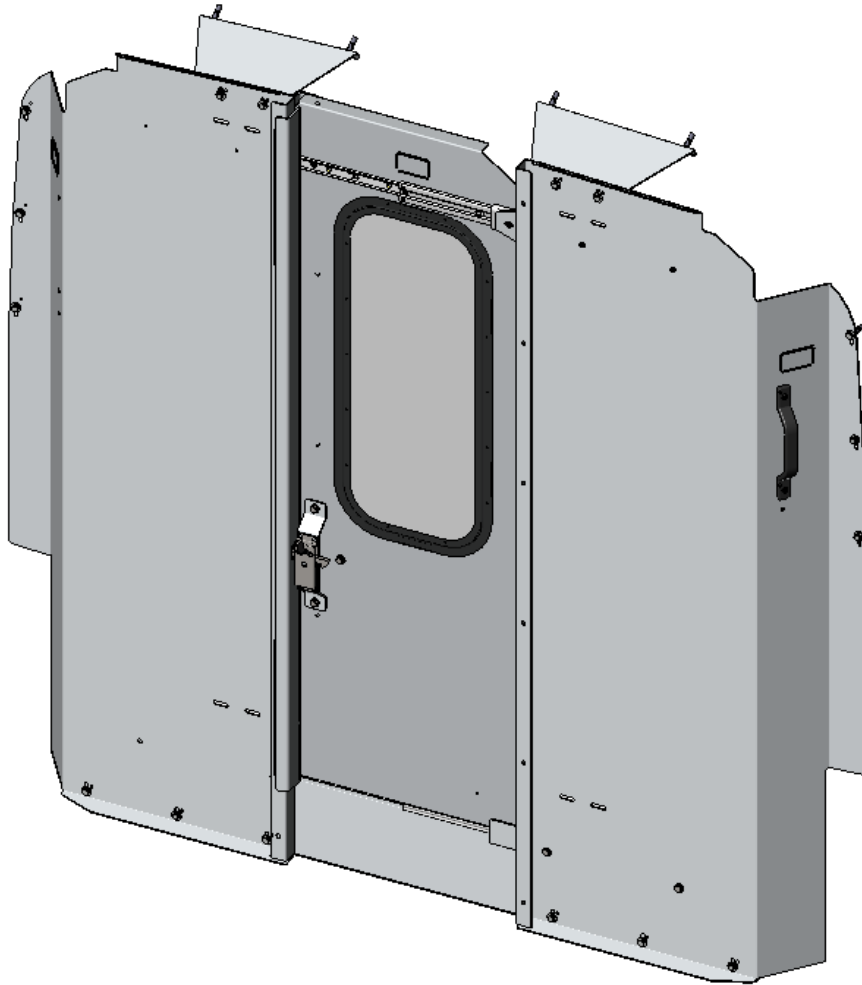
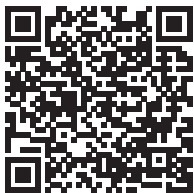


INSTALLATION GUIDE



3068-RP STRAIGHT PARTITION

Promaster (Sliding Door, Aluminum)



Scan the QR for the latest Install-Guide.





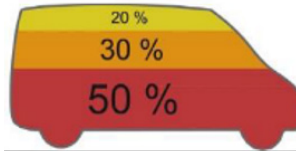
BEFORE YOU BEGIN

READ, UNDERSTAND, AND FOLLOW ALL WARNINGS AND INSTRUCTIONS BEFORE USING THIS PRODUCT. FAILURE TO FOLLOW THESE DIRECTIONS MAY RESULT IN PROPERTY DAMAGE, SERIOUS BODILY INJURY, AND/OR DEATH. RANGER DESIGN IS NOT RESPONSIBLE FOR ANY PROPERTY DAMAGE, PERSONAL INJURY, OR DEATH THAT OCCURRED WHILE USING ANY RANGER DESIGN PRODUCTS.



WARNING

- Failure to use Ranger Design-provided fasteners, brackets, and proper installation guidelines could increase risk of serious personal injury and/or death.
- If drilling is required to complete this installation: improper drilling can cause property damage to vehicles and could lead to electric shock, fire, or even death.
- If drilling is required to complete this installation: Ensure that drilling is only performed on areas of the vehicle allowed by the vehicle's Original Equipment Manufacturer's Body Builders Layout Book (or equivalent document).
- Prior to installation, inspect the vehicle to ensure that installation will not interfere with, or cause obstruction of, any critical components such as electrical wiring, fuel tanks, fuel-cells, locks, latches, etc.
- The installer or manufacturer is responsible for ensuring anchorages are installed onto suitable wall and floor structures; wall and floor strength must meet applicable performance requirements.
- Do not install systems into any weak or unsound materials such as plastics, woods, thin-walled metals, etc. without proper reinforcement.
- Do not install this product where it could interfere with the deployment of airbags. Failure to comply could result in death or serious injury.
- Do not install this product where it could ingress on the Transit Occupant Protection Zone. Failure to comply could result in death or serious injury.
- Incorrect installation could cause water leaks, electric shock or fire.
- Any cargo vehicle with any cargo or equipment should use a certified partition. See Ranger Design website for some partition options. (<https://rangerdesign.com/>)
- Mountings rails are recommended for any attachment to the vehicle walls.
- All items in the cargo area should be properly secured and partition doors closed while the vehicle is in motion.
- Check your vehicle's tare weight and remaining load capacity with all the equipment installed. Never exceed the maximum Gross Vehicle Weight Rating (GVWR), Gross Axle Weight Ratings (GAWRs), or other maximum loads permitted by the vehicle's Original Equipment Manufacturer (OEM) and required by law.
- The heaviest items must be placed towards the bottom of the vehicle, while the lightest ones can be arranged upwards. Vehicle cargo loading weight proportion should follow the following guidelines:



- The final alterer and/ or modifier should review the warning sheet with the customer before the vehicle is released to the customer or for general use. These instructions should remain with the vehicles a all times.
- Any modification or unintended use of this product voids any warranty and could create a hazardous condition.
- Ranger Design provides recommended assembly and installation instructions which should be followed to ensure correct operation. Failure to do so could result in invalidating the product's compliance, warranty and cause injury. Notwithstanding, the final stage vehicle alterer and/or modifier is responsible for the integration, installation, and compliance of the product in its final location to all applicable regulations and standards. Failure to maintain compliance of the vehicle to applicable regulations and standards could be punishable by law. Alterers and/or modifiers should consult with all local authorities prior to commissioning.



CAUTION

- If drilling is required to complete this installation. Before drilling, ensure that you will not hit any critical parts of the vehicle like the gas tank, wiring harness, or hose. Consult the vehicle OEM documentation as necessary. When drilling, use a drill collar to reduce the risk of damage to the vehicle.
- Any materials, padding, or glazing installed in the vehicle must comply with FMVSS/CMVSS 201/205/302, as applicable.
- In the event of a motor vehicle accident or collision where a Ranger system has been installed, especially ones where the vehicle structure is damaged and/or the air bags deploy and/or the vehicle has been towed, the system must be inspected to ensure continued soundness and safety before returning the vehicle to service. Damaged components should be replaced as necessary.
- All system components should be regularly inspected, cleaned, and maintained pursuant to Ranger guidelines.

QUICK START GUIDE

Phase 1 - Assembly

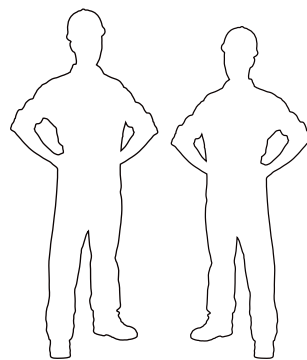
<input type="checkbox"/> 1.1 Setup.....	4
<input type="checkbox"/> 1.2 Preperation.....	6

Phase 2 - Installation

<input type="checkbox"/> 2.1 Tips on how to attach a plusnut.....	6
<input type="checkbox"/> 2.2 Vehicle preparation.....	8
<input type="checkbox"/> 2.3 Sliding door partition installation.....	10

REQUIRED ITEMS

- Cordless Impact
- Cordless Drill
- Plusnut Tool
- Tape Measure
- 3/8" Drill Bit
- 7/16" Socket
- 1/2" Socket
- 9/16" Wrench
- 13mm Socket
- 3/16" Impact Bit
- Anti Seize (recommended)
- Drill stop
- 1" Hole Saw

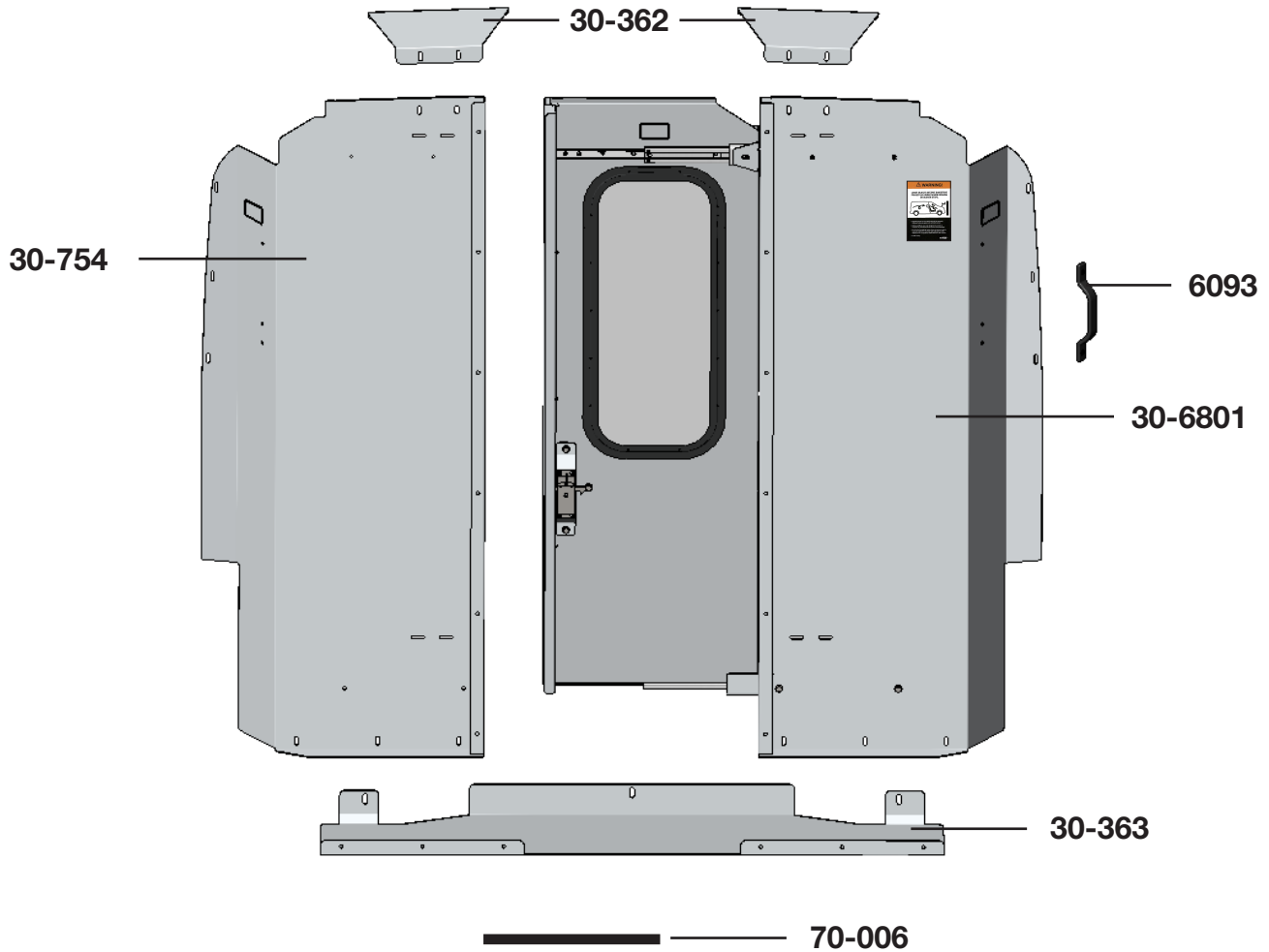


2
PERSONS

PHASE 1 – ASSEMBLY

1.1 SETUP

1.1.1 Unpack components; compare with the bill of materials.

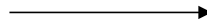


1.1.2 Verify all parts are present.

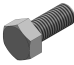

Item No.	Description	Qty.
30-362	Ceiling Bracket	2
30-363	Floor Bracket	1
30-754	Driver Side Panel	1
70-006	Foam Tape (24")	1
6093	Grab Handle	1
79-932	Warning Label (Bilingual)	1
30-6801	Passenger Side Panel w/ Sliding Door	1
94-3036	Assembly Fastener Bag	1
94-6093	Assembly Fastener Bag	1
96-3013	Installation Fastener Bag	1

1.1.3 Identify the **Assembly** and **Installation** fastener bags.

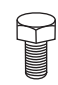


94-3036 Fastener Bag



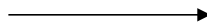
Hardware Assembly

- 10x  # 90-204 Hex Bolt
5/16"-18 x 3/4"
GR-5 ZINC
- 10x  # 94-116 Serrated Nut
5/16"-18
ZINC
- 10x  # 98-116 Flat Washer
5/16", 7/8" OD
ZINC

10x

 #90-204 Hex Bolt 5/16" x 3/4"
 #98-116 Flat Washer
 #94-116 Serrated Nut

96-3013 Fastener Bag







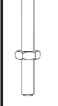
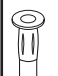
Hardware Assembly

- 5x  # 90-114 Hex Bolt
1/4"-20 x 1"
GR-5 ZINC
- 2x  # 90-666 Hex Bolt
M8-1.25 x 20 CL 8.8 DIN
933 BLACK OXIDE
- 11x  # 94-130 Plusnut .250
- 11x  # 98-112 Flat Washer
1/4", 3/4" OD
ZINC
- 2x  # 98-116 Flat Washer
5/16", 7/8" OD
ZINC
- 11x  # 98-118 Lock Washer
Regular 1/4"
ZINC
- 2x  # 98-122 Lock Washer
Regular 5/6"
ZINC
- 6x  # 90-983 Double Ended Screw
1/4" - 20 UNC x 1.125" LONG
ZINC
- 6x  # 98-180 Partition Spacer
0.688" LONG
NYLON, BLACK
- 6x  # 94-100 Hex Nut
1/4" - 20
ZINC




5x

 #90-114 Hex Bolt 1/4" x 1"
 #98-118 Lock Washer
 #98-112 Flat Washer
 #94-130 Plusnut .250

6x

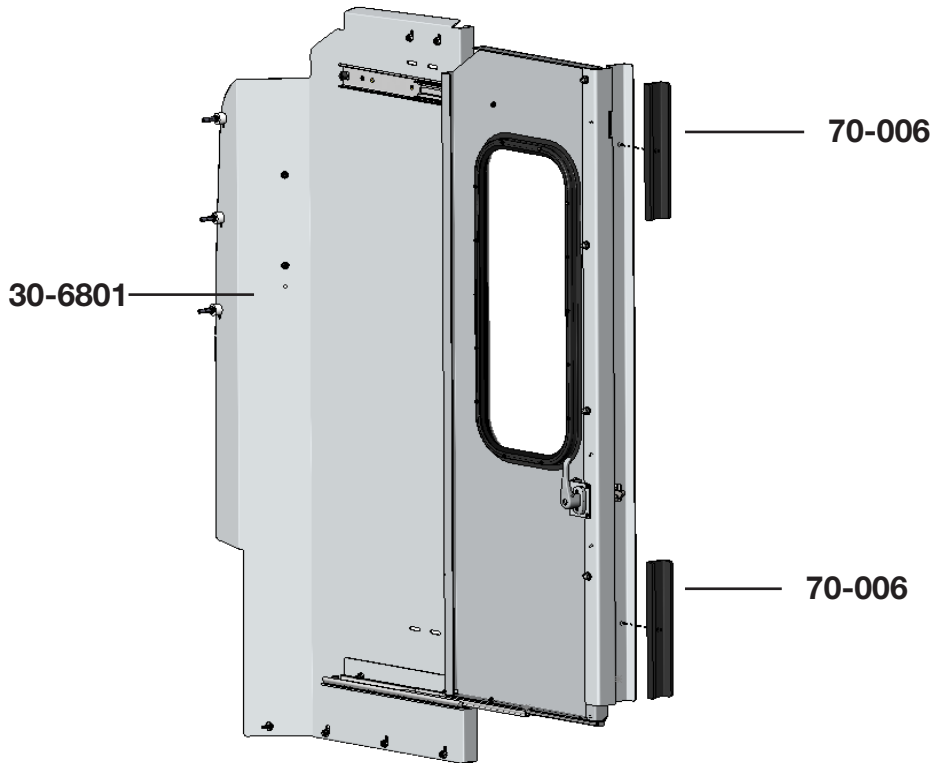
 #94-100 Hex Nut 1/4" - 20
 #98-118 Lock Washer
 #98-112 Flat Washer
 #98-180 **Short** Partition
Spacer
 #90-983 **Short** Double
Ended Bolt
 #94-130 Plusnut

2x

 #90-666 Hex Bolt M8 x 20
 #98-122 Lock Washer
 #98-116 Flat Washer

1.2 PREPERATION

1.2.1 Cut the foam tape into 2x 12" pieces. Peel the adhesive cover off of both. Attach both pieces of the tape on both ends of the door jam.

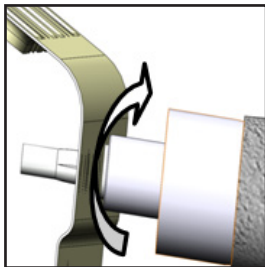


PHASE 2 – INSTALLATION

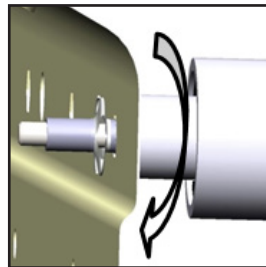
2.1 TIPS ON HOW TO ATTACH A PLUSNUT

2.1.1 Attach the plusnut using the plusnut gun.

TIPS: Put the plusnut on the plusnut gun, then attach the plusnut in the hole by turning the gun forward until the plusnut locks, then remove the gun by turning in reverse.



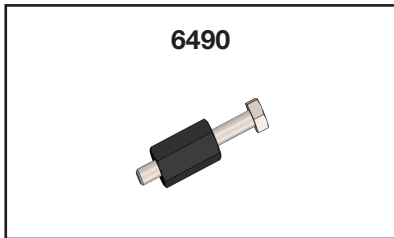
FORWARD



REVERSE

2.1.2 Attach the plusnut using the 6490 plusnut tool.



NOTE: The hardware used for the 6490 plusnut tool is not included in the fastener bag. The 6490 plusnut tool can be ordered separately upon demand at no charge.



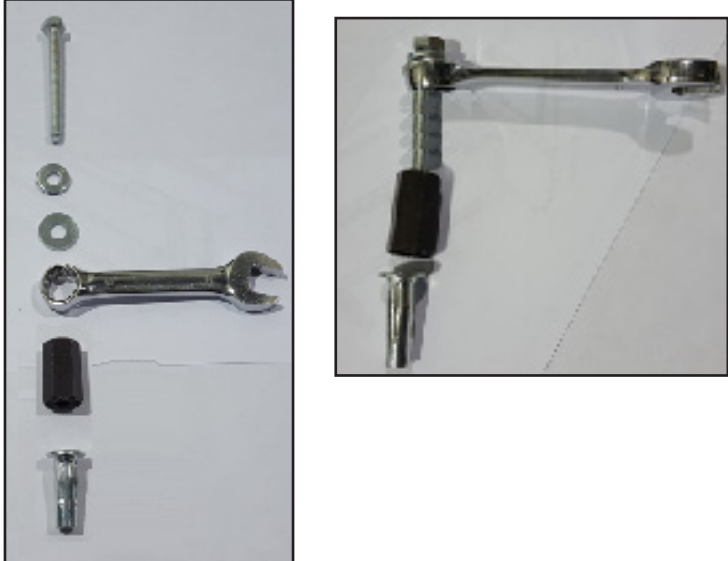
TOOLS

- Cordless Impact
- 7/16" Socket
- 9/16" Wrench


HARDWARE USED

-  Flat washer 1/4"
-  Flat washer 1/4" BS x 3/4" OD

TIPS STEP 1:
Assemble the 6490 plusnut tool with the hardware needed, plusnut and the 9/16" wrench as shown.



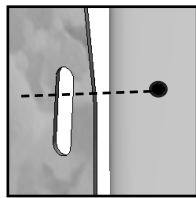
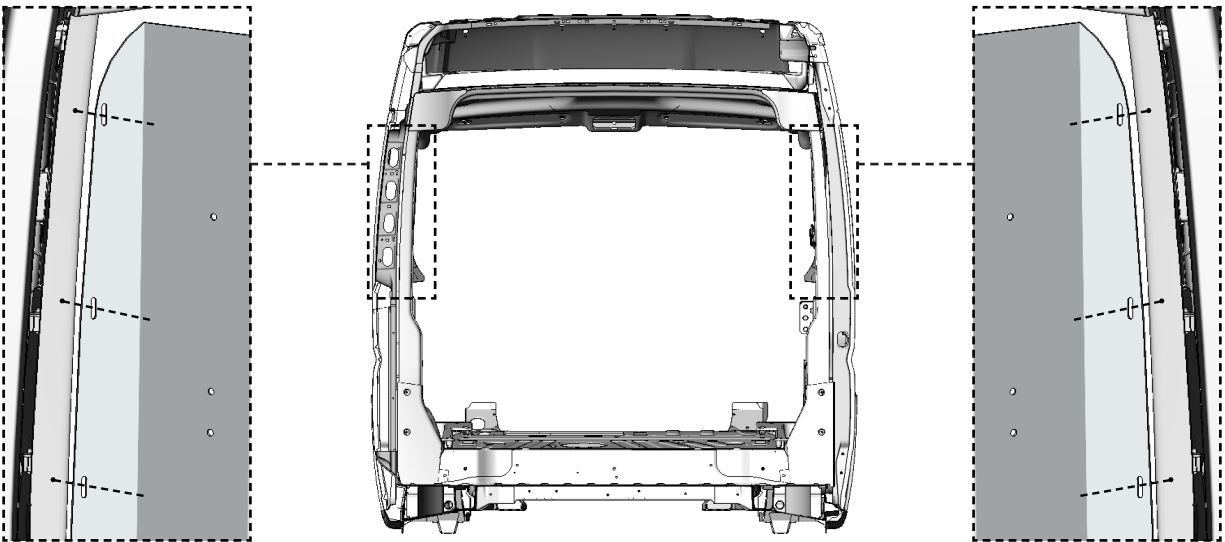
TIPS STEP 2:
Attach the plusnut in the hole by turning the bolt forward using an impact with a 7/16" socket until the plusnut locks, then remove the bolt by turning the impact in reverse.



FORWARD **REVERSE**

2.2 VEHICLE PREPARATION

2.2.1 Driver and passenger sides preparation.



Put the driver side panel w/ swing door and passenger side panel in place, then put a mark on the van through the holes of the driver and passenger side panels.

- TOOLS**
- Marker



Drill through the plastic using the hole saw.

- TOOLS**
- Cordless Drill
 - 1" Hole Saw



Enlarge the holes if the plusnuts don't fit and make new holes if they don't align with the panel on the van. Use a drill stop to prevent damaging internal components.

- TOOLS**
- Cordless Drill
 - 3/8" Drill Bit or Step Drill
 - Drill Stop



Attach plusnuts in the 6 holes.

- TOOLS**
- Plusnut Tool

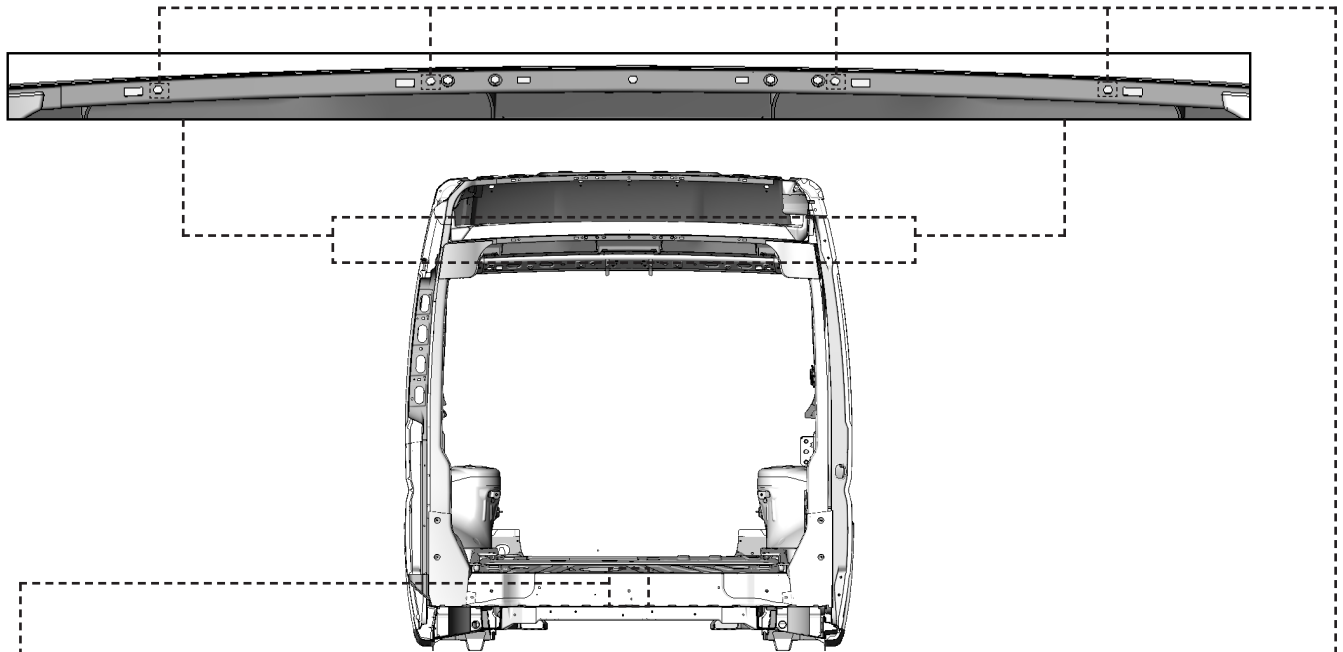
HARDWARE USED

6x



94-130
Plusnut .250

2.2.2 Ceiling and floor preparation.



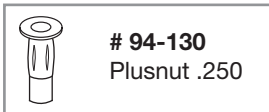
Attach plusnut on the center hole in the floor.



TOOLS
 Plusnut Tool

HARDWARE USED

1x



Enlarge these holes if the plusnuts don't fit using 3/8" drill bit or step drill.



TOOLS
 Cordless Drill
 3/8" Drill Bit or Step Drill
 Drill Stop

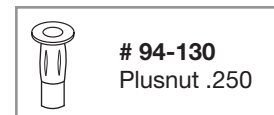
Cut or drill the plastic cover through the 4 holes, then Attach plusnuts in the 4 holes.



TOOLS
 Plusnut Tool
 1" Hole Saw or Knife

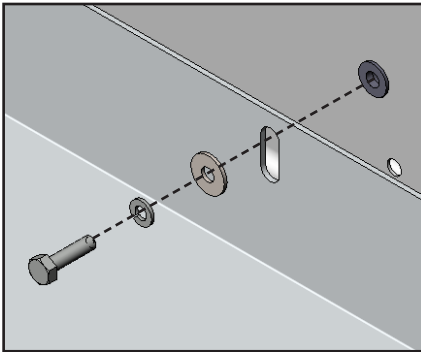
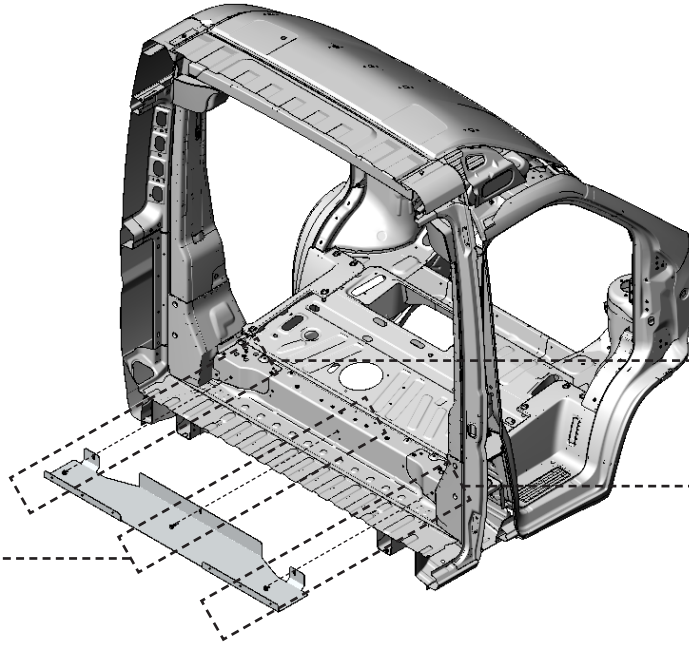
HARDWARE USED

4x



2.3 SLIDING DOOR PARTITION INSTALLATION

2.3.1 Floor bracket installation.



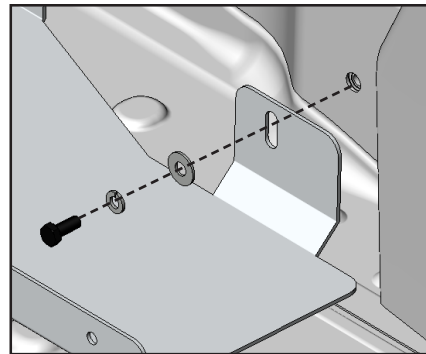
TOOLS

- Cordless Impact
- 7/16" Socket

HARDWARE USED

1x

-  #90-114 Hex Bolt 1/4" x 1"
-  #98-118 Lock Washer
-  #98-112 Flat Washer






TOOLS

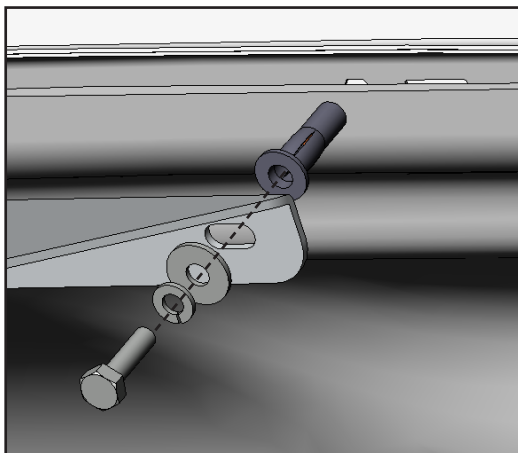
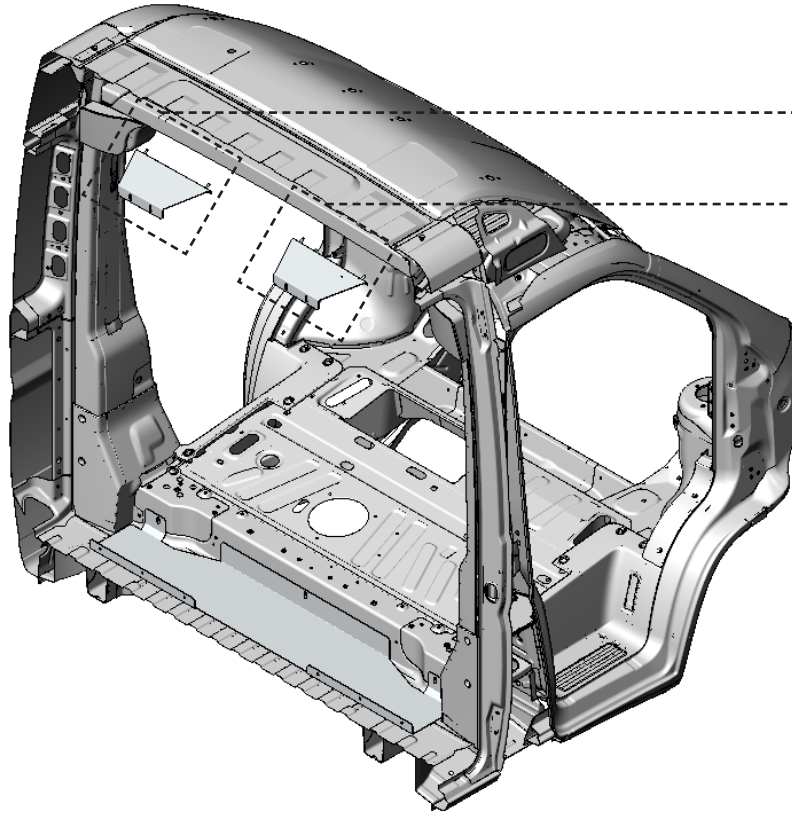
- Socket Wrench
- 13mm Socket

HARDWARE USED

2x

-  #90-666 Hex Bolt M8 x 20
-  #98-122 Lock Washer
-  #94-116 Flat Washer

2.3.2 Ceiling brackets installation



TOOLS

- Cordless Impact
- 7/16" Socket

HARDWARE USED

4x



#90-114 Hex Bolt 1/4" x 1"



#98-118 Lock Washer

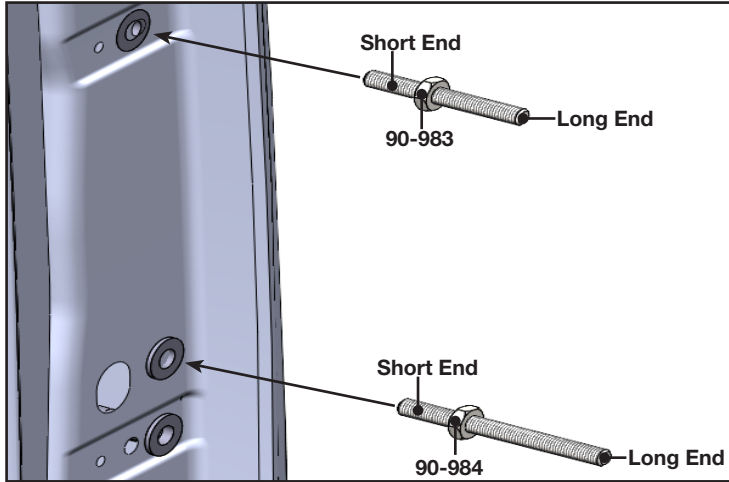


#98-112 Flat Washer

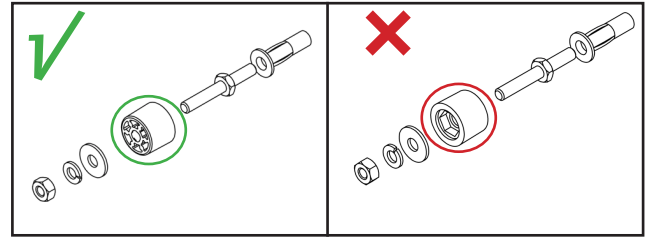
2.3.3 Install double ended bolts and spacers into van before placing partition panels.

NOTE: •Make sure that you have correctly oriented the spacers and bolts before installing the partition.

Bolt Orientation



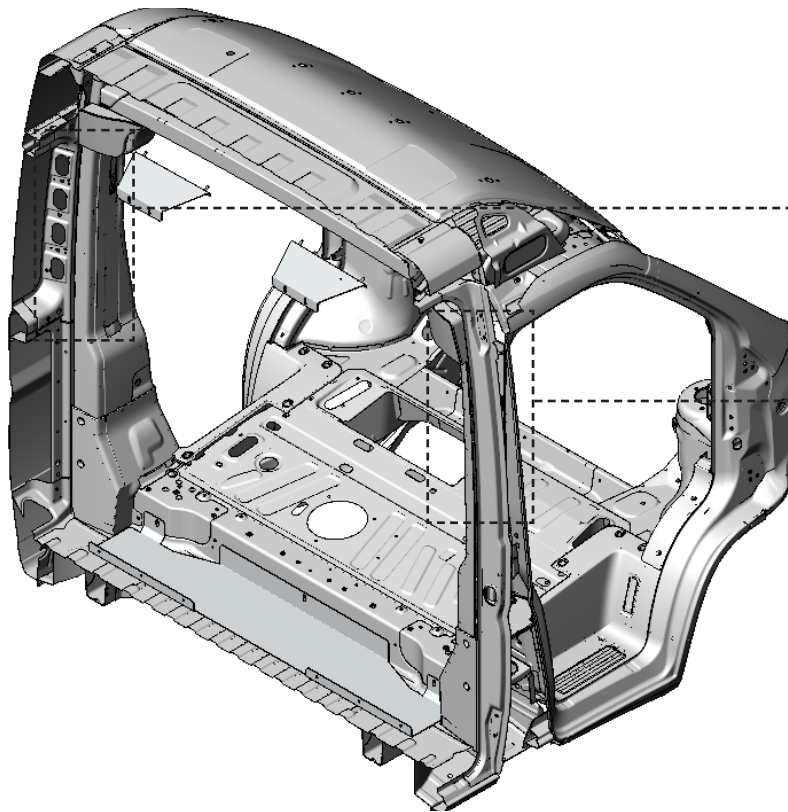
Spacer Orientation






NOTE: If the plastic partition trim is not installed around the b-pillars, then omit the spacers during the installation steps.

TOOLS

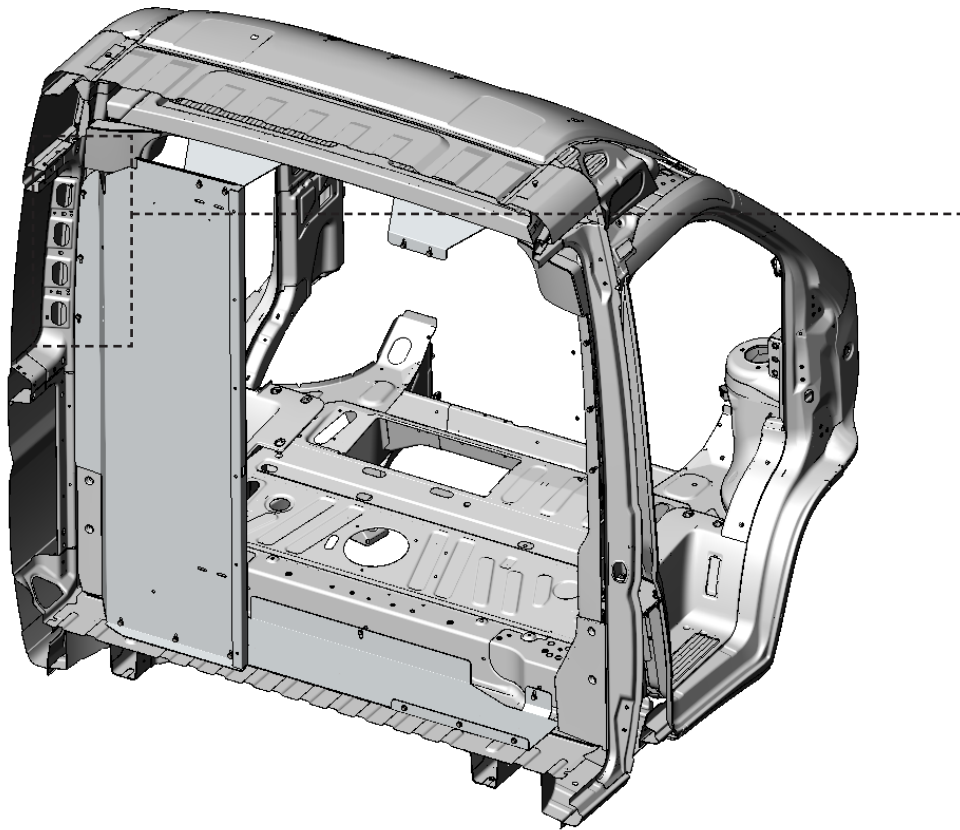
- 7/16 Wrench



HARDWARE USED 5x

-  #98-180 **Short** Partition Spacer
-  #90-983 **Short** Double Ended Bolt
-  #94-130 Plusnut

2.3.4 Attach the driver side panel to the van.






TOOLS

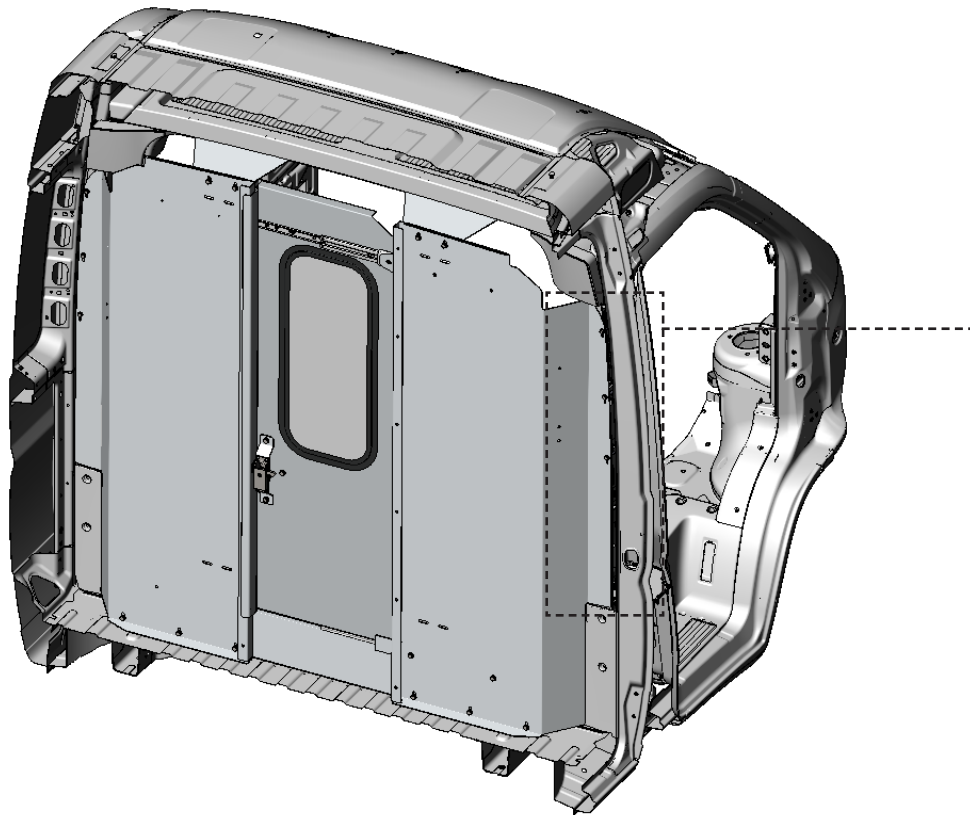
- Cordless Impact
- 7/16" Socket

HARDWARE USED

3x

- | | |
|---|---------------------|
|  | #94-100 Hex Nut |
|  | #98-118 Lock Washer |
|  | #98-112 Flat Washer |

2.3.5 Attach the passenger side panel with sliding door to the van.






TOOLS

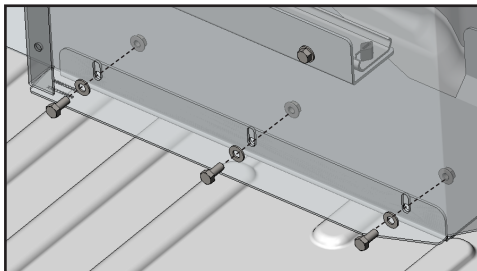
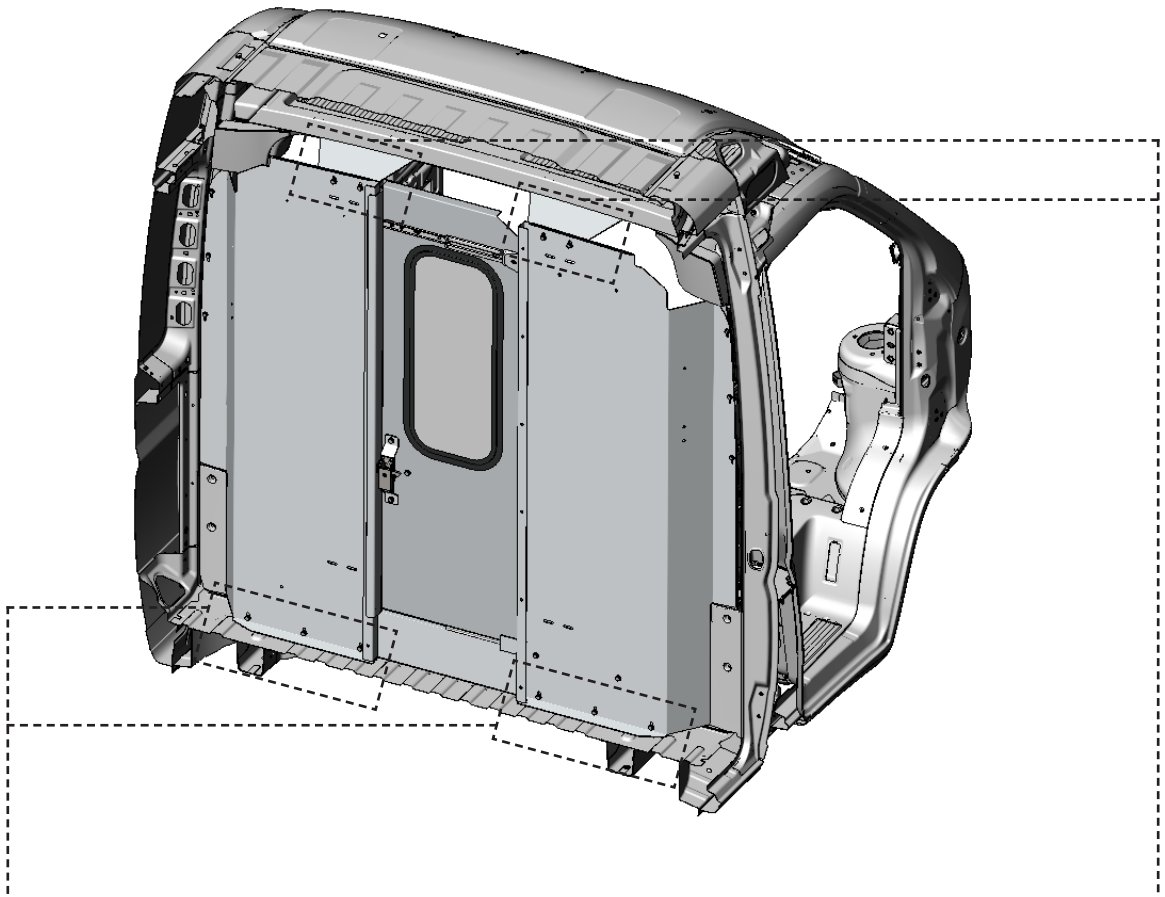
- Cordless Impact
- 7/16" Socket

HARDWARE USED

3x

- | | |
|---|---------------------|
|  | #94-100 Hex Nut |
|  | #98-118 Lock Washer |
|  | #98-112 Flat Washer |

2.3.6 Attach the driver and passenger side panels to the ceiling brackets and the floor bracket.

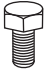




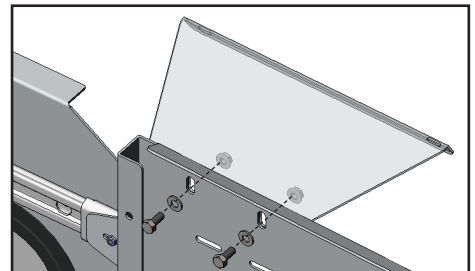
TOOLS

- Cordless Impact
- 1/2" Socket

HARDWARE USED

6x

- | | |
|---|-------------------------------|
|  | #90-204 Hex Bolt 5/16" x 3/4" |
|  | #98-116 Flat Washer |
|  | #94-116 Serrated Nut |






TOOLS


- Cordless Impact
- 1/2" Socket

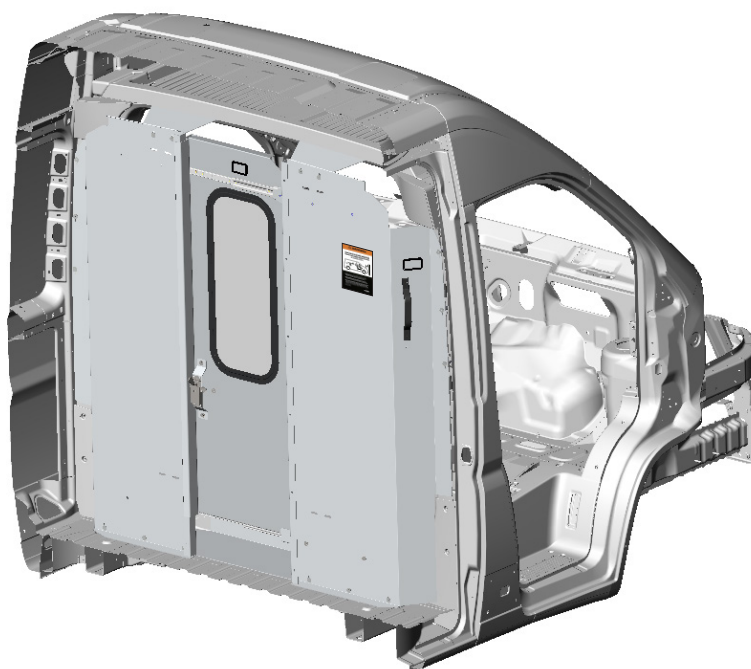
HARDWARE USED

4x

- | | |
|--|-------------------------------|
|  | #90-204 Hex Bolt 5/16" x 3/4" |
|  | #98-116 Flat Washer |
|  | #94-116 Serrated Nut |

2.3.7 Attach the grab handle to the passenger side panel, then apply the warning label on the passenger side panel.

 For proper installation of the grab handle, locate the appropriate mounting holes and visit rangerdesign.com or scan the QR code for instructions.



NOTE: English warning label is already attached on the passenger side panel.

“You have successfully installed your Partition, thank you for doing business with us.”

For any feedback or suggestions, you may have, please contact: cs@rangerdesign.com